

# JENN-AIR® SIDE BY SIDE BUILT-IN REFRIGERATOR

## REFRIGERADOR EMPOTRADO DE DOS PUERTAS JENN-AIR®

### RÉFRIGÉRATEUR ENCASTRÉ CÔTE À CÔTE JENN-AIR®

---

## INSTALLATION GUIDE

For questions about features, operation/performance, parts, accessories, or service, call:  
**1-800-JENNAIR (1-800-536-6247)** or visit our website at [www.jennair.com](http://www.jennair.com).  
In Canada, call: **1-800-807-6777**, or visit our website at [www.jennair.ca](http://www.jennair.ca).

---

## GUÍA DE INSTALACIÓN

Si tiene preguntas respecto a las características, funcionamiento, rendimiento, partes, accesorios o servicio técnico, llame al:  
**1-800-JENNAIR (1-800-536-6247)** o visite nuestro sitio de internet: [www.jennair.com](http://www.jennair.com).  
En Canadá, llame al: **1-800-807-6777**, o visite nuestro sitio de internet: [www.jennair.ca](http://www.jennair.ca).

---

## GUIDE D'INSTALLATION

Au Canada, pour assistance, installation ou service, composez le **1-800-807-6777** ou visitez notre site web à [www.jennair.ca](http://www.jennair.ca).

---

Table of Contents/Índice/Table des matières .....2

---

**JENN-AIR®**

W10379136A

# TABLE OF CONTENTS

<b>REFRIGERATOR SAFETY</b> .....	<b>3</b>	Custom Wood Overlay Panels .....	13
<b>MODELS</b> .....	<b>4</b>	Custom Wood Overlay Panel Dimensions .....	14
Accessories.....	5	<b>INSTALLATION INSTRUCTIONS</b> .....	<b>14</b>
<b>INSTALLATION REQUIREMENTS</b> .....	<b>5</b>	Unpack the Refrigerator .....	14
Tools and Parts.....	5	Move the Refrigerator into House .....	15
Location Requirements.....	7	Install Anti-Tip Boards .....	15
Electrical Requirements.....	8	Connect the Water Supply .....	15
Water Supply Requirements.....	8	Plug in Refrigerator .....	17
Product Dimensions .....	9	Install Side Trims .....	17
Tipping Radius.....	9	Move Refrigerator to Final Location.....	18
Door Swing Dimensions .....	9	Level and Align Refrigerator .....	18
Cabinet and Panel Installation Options .....	10	Install Refrigerator and Panels .....	19
Fully Integrated Installation Requirements .....	11	Install Handles .....	23
Standard Installation-Wood Panel Requirements.....	12	Install Base Grille .....	24
Panel Kit Installation Requirements.....	13	Complete Installation .....	24

# ÍNDICE

<b>SEGURIDAD DEL REFRIGERADOR</b> .....	<b>25</b>	Paneles de madera recubiertos a la medida.....	36
<b>MODELOS</b> .....	<b>26</b>	Dimensiones del panel de madera recubierto .....	37
Accesorios .....	27	<b>INSTRUCCIONES DE INSTALACIÓN</b> .....	<b>37</b>
<b>REQUISITOS DE INSTALACIÓN</b> .....	<b>27</b>	Desempaque el refrigerador.....	37
Piezas y herramientas.....	27	Cómo introducir el refrigerador en la casa.....	38
Requisitos de ubicación .....	29	Cómo instalar los tableros antivuelco .....	38
Requisitos eléctricos.....	30	Conexión del suministro de agua.....	38
Requisitos del suministro de agua .....	31	Cómo enchufar el refrigerador .....	40
Medidas del producto.....	31	Instalación de las molduras laterales .....	40
Arco de vuelco .....	32	Cómo mover el refrigerador a su ubicación final .....	41
Medidas de oscilación de las puertas.....	32	Nivelación y alineamiento del refrigerador .....	41
Opciones para la instalación del armario y los paneles.....	33	Instalación del refrigerador y los paneles.....	42
Requisitos para la instalación completamente incorporada.....	34	Instalación de las manijas.....	47
Instalación estándar - Requisitos del panel de madera.....	35	Instalación de la rejilla de la base.....	47
Requisitos de instalación del juego de paneles .....	36	Cómo terminar la instalación.....	48

# TABLE DES MATIÈRES

<b>SÉCURITÉ DU RÉFRIGÉRATEUR</b> .....	<b>49</b>	Panneaux de bois décoratifs personnalisés .....	60
<b>MODÈLES</b> .....	<b>50</b>	Dimensiones des panneaux de bois décoratif décoratifs.....	61
Accessoires.....	51	<b>INSTRUCTIONS D'INSTALLATION</b> .....	<b>61</b>
<b>EXIGENCES D'INSTALLATION</b> .....	<b>51</b>	Déballage du réfrigérateur .....	61
Outillage et pièces .....	51	Faire entrer le réfrigérateur dans le domicile.....	62
Exigences d'emplacement .....	53	Installation de planches antibasculement .....	62
Spécifications électriques .....	54	Raccordement à l'alimentation en eau.....	62
Spécifications de l'alimentation en eau.....	55	Brancher le réfrigérateur.....	64
Dimensions du produit.....	55	Installation des garnitures latérales.....	64
Rayon de basculement.....	56	Déplacement du réfrigérateur à son emplacement définitif.....	65
Dimensions pour le pivotement des portes .....	56	Réglage de l'aplomb et alignement du réfrigérateur.....	65
Options d'installation du placard et du panneau .....	57	Installation du réfrigérateur et des panneaux.....	66
Exigences d'une installation totalement intégrée.....	58	Installation des poignées.....	70
Spécifications pour installation standard d'un panneau en bois.....	59	Installation de la grille de la base .....	71
Spécifications pour l'installation de l'ensemble de panneaux.....	60	Achever l'installation.....	72

# REFRIGERATOR SAFETY

## Your safety and the safety of others are very important.

We have provided many important safety messages in this manual and on your appliance. Always read and obey all safety messages.



This is the safety alert symbol.

This symbol alerts you to potential hazards that can kill or hurt you and others.

All safety messages will follow the safety alert symbol and either the word "DANGER" or "WARNING."

These words mean:

**⚠ DANGER**

You can be killed or seriously injured if you don't immediately follow instructions.

**⚠ WARNING**

You can be killed or seriously injured if you don't follow instructions.

All safety messages will tell you what the potential hazard is, tell you how to reduce the chance of injury, and tell you what can happen if the instructions are not followed.

## ⚠ WARNING



### Tip Over Hazard

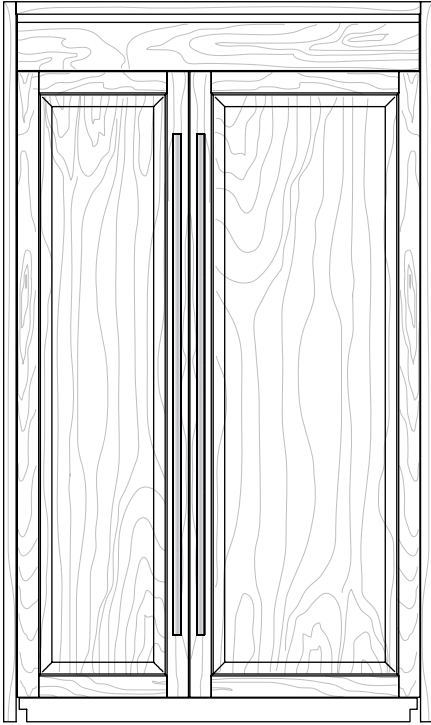
Refrigerator is top heavy and tips easily when not completely installed.

Keep doors taped closed until refrigerator is completely installed.

Use two or more people to move and install refrigerator.

Failure to do so can result in death or serious injury.

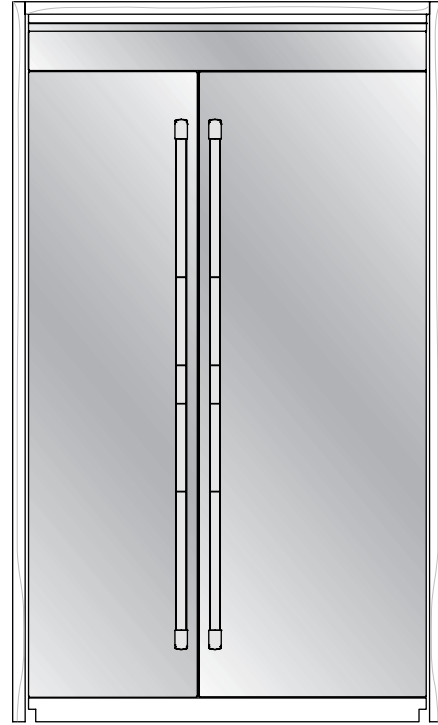
# MODELS



## Integrated Design

Features custom-made panels and custom hardware provided by the cabinetmaker for a seamless appearance designed to blend with existing kitchen cabinetry.

**Base Model Numbers:** JS42NXFXDW, JS48NXFXDW

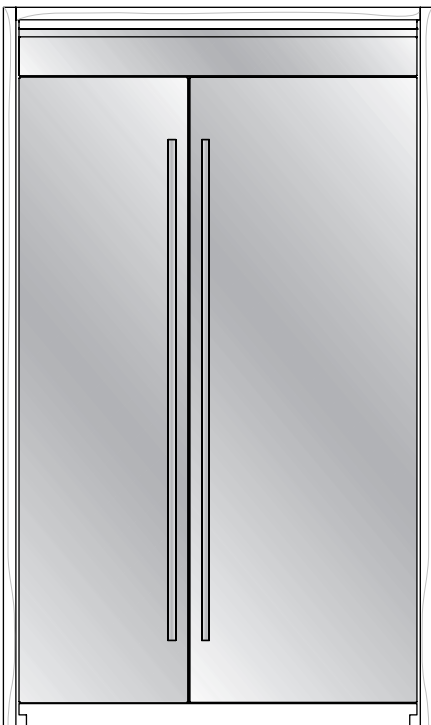


## Pro-Style® Stainless Design

Features stainless steel wrapped doors and Pro-Style® handles with diamond-etched grip.

**Base Model Numbers:** JS42NXFXDW, JS48NXFXDW

**Kit Model Numbers:** JPK42SNXWPS, JPK48SNXWPS

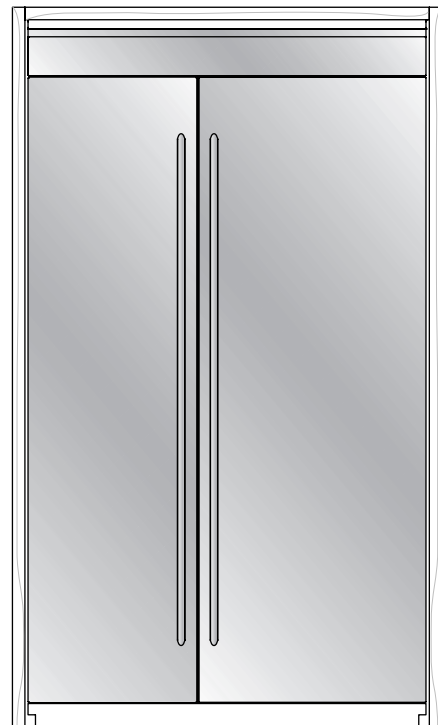


## Euro-Style Stainless Design

Features stainless steel wrapped doors with towel bar-style handles designed to compliment the Jenn-Air Euro kitchen suite or enhance any kitchen decor.

**Base Model Numbers:** JS42NXFXDW, JS48NXFXDW

**Kit Model Numbers:** JPK42SNXWES, JPK48SNXWES

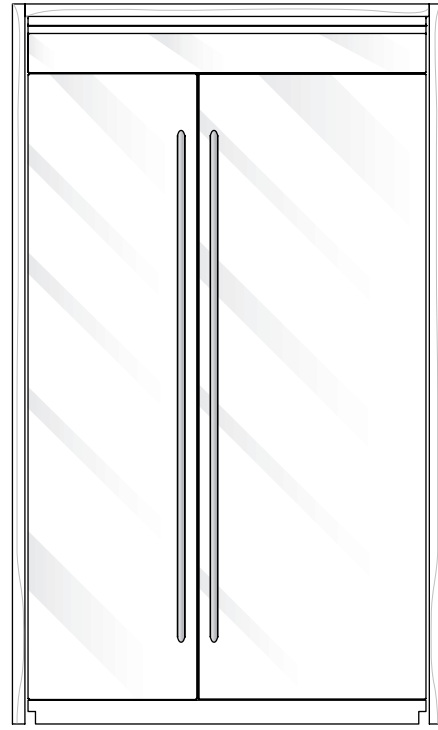
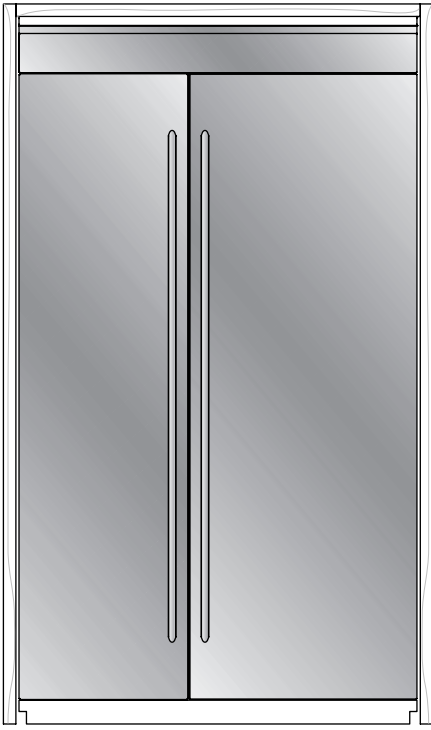


## Classic Euro-Style Design

Features stainless steel wrapped doors with new Euro-style handles to enhance the traditional stainless kitchen appearance.

**Base Model Numbers:** JS42NXFXDW, JS48NXFXDW00

**Kit Model Numbers:** JPKSNXWSS, JPK48SNXWSS



### Oiled-Bronze Design

Features intricate copper strokes that integrate seamlessly into your kitchen while slightly curved matching handles add to the refrigerator's expressive form.

**Base Model Numbers:** JS42NXFXDW, JS48NXFXDW00

**Kit Model Numbers:** JPKSNXWSR, JPK48SNXWSR

### Floating Glass Design

Classic black or white glass panels that seemingly float in place with slightly curved, color coordinating handles that will compliment your contemporary kitchen.

**Base Model Numbers:** JS42NXFXDW, JS48NXFXDW00

**Kit Model Numbers:**

**Black Glass** - JPK42SNXWSY, JPK48SNXWSY

**White Glass** - JPK42SNXWSF, JPK48SNXWSF

## Accessories

All factory parts are available through your Jenn-Air dealer or by calling Jenn-Air at **1-800-JENNAIR (1-800-536-6247)**. In Canada, call **1-800-807-6777**.

### Door Handle Kits

These handle kits can be ordered to use on custom wood overlay panels. Follow the kit instructions for installing the door handles.

**Pro-Style® Stainless Steel** - W10250643

**Euro-Style Stainless Steel** - W10250637

**Classic Euro-Style** - W10250640

### Armoire-Style Door Panel Kit

Follow the kit instructions for installation.

**42" Model** - W10292393

**48" Model** - W10292394

# INSTALLATION REQUIREMENTS

## Tools and Parts

### IMPORTANT:

- Installer: Leave Installation Instructions with the homeowner.
- Homeowner: Keep Installation Instructions for future reference. Save these Installation Instructions for the local electrical inspector's use.

### TOOLS NEEDED:

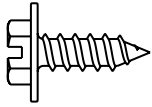




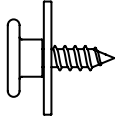
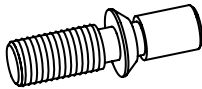
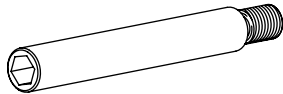
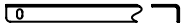
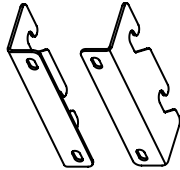
Gather the required tools and parts before starting installation. Read and follow the instructions provided with any tools listed here.

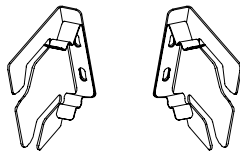
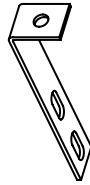


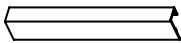
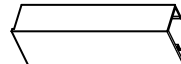

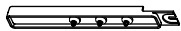
- Cordless drill
- Drill bits
- Two adjustable wrenches
- Phillips screwdriver
- Small level
- 3/32" Hex key (panel kits only)
- 1 1/32" Nut driver
- 3/8" and 1/2" Open-end wrenches
- 5/32" and 3/16" Hex key
- 1/4" and 5/16" Socket drivers
- Tape measure
- Utility knife
- Tape (painters)
- Appliance dolly

**PARTS NEEDED:**

- Six #8 x 3" (7.6 cm) wood screws (longer screws may be needed)
- One or two 2" x 4" x 32" (5 cm x 10 cm x 81 cm) wood board(s)
- Custom wood overlay panels - consult a qualified cabinetmaker or carpenter to make the custom wood panels. See "Custom Wood Overlay Panels" for more information.  
Panel kits - See "36" Models or 42" French Door Models" for panel kit information.
- Flexible, codes approved water supply tubing, a ferrule, a union and a 1/4" (6.35 mm) compression fitting.

**PARTS PROVIDED:**

 <p>Slotted hex head screw</p> <p><b>W10141645</b> (21)</p>	 <p>Hex head pointed screw</p> <p><b>W10141189</b> (4)</p>
 <p>Hex head blunt screw</p> <p><b>W10142233</b> (4)</p>	 <p>Round head screw</p> <p><b>1163283</b> (24)</p>
 <p>Phillips head flat screw</p> <p><b>8281251</b> (28)</p>	 <p>Door panel stud</p> <p><b>W10129563</b></p>
 <p>Door Adjustment Pin</p> <p><b>W10234194</b></p>	 <p>Door Stop Pin</p> <p><b>W10234202</b></p>
 <p>Drawer Panel Bracket</p> <p><b>W10203457</b></p>	 <p>Standard Grille Bracket</p> <p><b>W10182743</b> - Left <b>W10182741</b> - Right</p>

 <p>Integrated Grille Bracket</p> <p><b>W10260890</b> - Left <b>W10260891</b> - Right</p>	 <p>Filler Board "L" Bracket</p> <p><b>W10234199</b></p>
 <p>Panel top bracket</p> <p><b>W10192849</b></p>	 <p>Top Grille Lower Trim</p> <p><b>W10250961</b> - 36" BM <b>W10250962</b> - 42" BM, SxS <b>W10250963</b> - 48" SxS</p>
 <p>RC Hinge Cover Trim</p> <p><b>W10199873</b> - 42" SxS <b>W10199875</b> - 48" SxS <b>W10202875</b> - 36" BM (Right) <b>W10202510</b> - 42" FDBM (Right)</p>	 <p>FC Hinge Cover Trim</p> <p><b>W10199886</b> - 42" SxS <b>W10199888</b> - 48" SxS <b>W10202877</b> - 36" BM (Left) <b>W10202511</b> - 42" FDBM (Left)</p>
<p>Panel templates</p> <p><b>W10222280</b> - SxS <b>W10222278</b> - Bottom Mount <b>W10222282</b> - Grille</p>	 <p>Handle Side Door Trim</p> <p><b>W10167367</b> - SxS <b>W10188556</b> - BM (Left) <b>W10202604</b> - BM (Right) <b>W10202478</b> - FDBM (Right) <b>W10202480</b> - FDBM (Left)</p>
 <p>Installation block</p> <p><b>W10234156</b></p>	

## Location Requirements

### **! WARNING**



#### Explosion Hazard

Keep flammable materials and vapors, such as gasoline, away from refrigerator.

Failure to do so can result in death, explosion, or fire.

#### IMPORTANT:

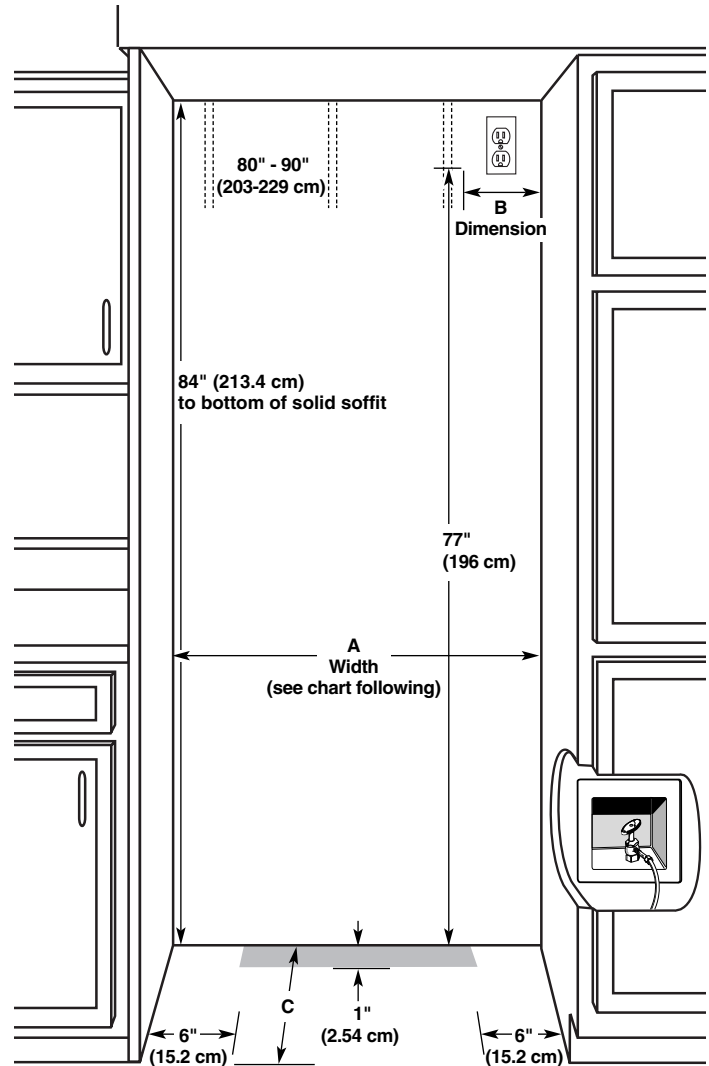
- Observe all governing codes and ordinances.
- It is recommended that you do not install the refrigerator near an oven, radiator, or other heat source.
- Do not install in a location where the temperature will fall below 55°F (13°C).
- Floor must support the refrigerator weight, more than 600 lbs (272 kg), door panels and contents of the refrigerator.
- Ceiling height must allow for side tipping radius. See “Tipping Radius.”
- Location should permit door to open fully. See “Door Swing Dimensions.”
- Location must permit top grille removal. See “Opening Dimensions.”

#### Opening Dimensions

- The width of the opening, from side to side, must be as specified for your model, for at least 2" (5.08 cm) back from the face of the cabinet.
 

**NOTE:** If your opening does not meet this requirement, you will need to make modifications.
- A solid soffit or wall cabinet must be installed 84" (213.4 cm) above the floor. If the solid soffit is higher than 84" (213.4 cm) or one is not available, then the refrigerator must be braced.
 

If the anti-tip boards are needed, they must be attached to the rear wall studs so that there is 84" (213.4 cm) from the bottom of the anti-tip board to the floor. See “Install Anti-Tip Boards” for more information.
- For a fully integrated installation, a minimum of 6" (15.24 cm) of open space above the refrigerator is required. See “Fully Integrated Installation.” Anti-tip boards are required. See “Install Anti-Tip Boards” for more information.
- A grounded 3 prong electrical outlet should be located within a specified number of inches from the right-hand side cabinets or end panel. See the chart following the graphic for the number of inches required for your model. For more information, see “Electrical Requirements.”
- The water shutoff should be located in the base cabinet on either side of the refrigerator or some other easily accessible area. If the water shutoff valve is not in the cabinets, the plumbing for the water line can come through the floor. See “Water Supply Requirements” for more information.



Model	Width A (as shown above)	Dimension B (as shown above)
42	42" (106.7 cm)	10" (25.4 cm)
48	48" (121.9 cm)	16" (40.6 cm)

Installation Type	Depth C (as shown above)
Standard Flush (new installation)	25" (63.5 cm) minimum
Retrofit Installations	24" (60.9 cm) minimum

#### IMPORTANT:

- The width of the opening (Width A), must be as specified for your model, for at least 2" (5.08 cm) back from the face of the cabinet.
 

**NOTE:** If your opening does not meet this requirement, you will need to make modifications.
- Flooring under refrigerator must be at same level as the room. Face of cabinetry must be plumb.

## Electrical Requirements

### ⚠ WARNING



#### Electrical Shock Hazard

Plug into a grounded 3 prong outlet.

Do not remove ground prong.

Do not use an adapter.

Do not use an extension cord.

Failure to follow these instructions can result in death, fire, or electrical shock.

Before you move your refrigerator into its final location, it is important to make sure you have the proper electrical connection.

#### Recommended Grounding Method

A 115 volt, 60 Hz., AC only, 15- or 20-amp fused, grounded electrical supply is required. It is recommended that a separate circuit serving only your refrigerator be provided. Use an outlet that cannot be turned off by a switch. Do not use an extension cord.

**IMPORTANT:** If this product is connected to a GFCI (Ground Fault Circuit Interrupter) protected outlet, nuisance tripping of the power supply may occur, resulting in loss of cooling. Food quality and flavor may be affected. If nuisance tripping has occurred, and if the condition of the food appears poor, dispose of it.

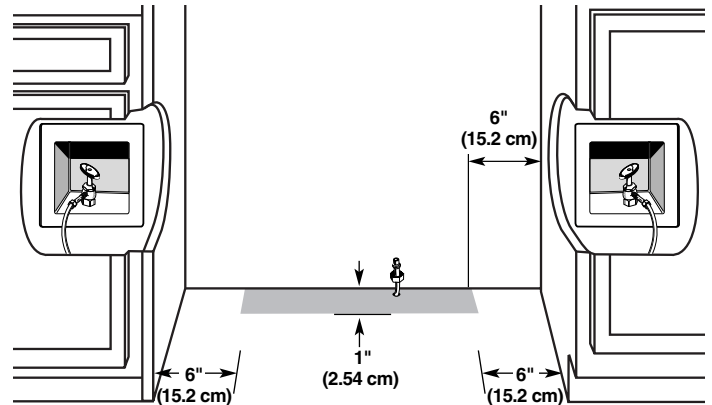
**NOTE:** Before performing any type of installation, cleaning, or removing a light bulb, remove the top grille and turn the master power switch to OFF or disconnect power at the circuit breaker box.

When you are finished, turn ON the master power switch or reconnect power at the circuit breaker box. Then reset the control to the desired setting.

## Water Supply Requirements

- All installations must meet local plumbing code requirements.
- The water supply line must come up through the floor in the gray shaded area shown.
- The water shutoff should be located in the base cabinet on either side of the refrigerator or some other easily accessible area. The right-hand side is recommended.

**NOTE:** There is not enough clearance to achieve a flush installation if a water shutoff valve is located in the wall behind the refrigerator.



- A 1/2" (12.7 mm) hole for plumbing should be drilled at least 6" (15.2 cm) from the right or left hand side cabinet or panel. On the floor, the hole should be no more than 1" (2.54 cm) away from the back wall. See "Connect the Water Supply."
- If additional tubing is needed, use copper tubing and check for leaks. Install the copper tubing only in areas where the household temperatures will remain above freezing.
- Do not use a piercing-type or 3/16" (4.76 mm) saddle valve which reduces water flow and clogs more easily.

**NOTE:** Your refrigerator dealer has a kit available with a 1/4" (6.35 mm) saddle-type shutoff valve, a union, and copper tubing. Before purchasing, make sure a saddle-type valve complies with your local plumbing codes.

## Water Pressure

A cold water supply with water pressure between 30 and 120 psi (207 and 827 kPa) is required to operate the water dispenser and ice maker. If you have questions about your water pressure, call a licensed, qualified plumber.

### Reverse Osmosis Water Supply

**IMPORTANT:** The pressure of the water supply coming out of a reverse osmosis system going to the water inlet valve of the refrigerator needs to be between 30 and 120 psi (207 and 827 kPa).

If a reverse osmosis water filtration system is connected to your cold water supply, the water pressure to the reverse osmosis system needs to be a minimum of 40 to 60 psi (276 to 414 kPa).

If the water pressure to the reverse osmosis system is less than 40 to 60 psi (276 to 414 kPa):

- Check to see whether the sediment filter in the reverse osmosis system is blocked. Replace the filter if necessary.
- Allow the storage tank on the reverse osmosis system to refill after heavy usage.
- If your refrigerator has a water filter, it may further reduce the water pressure when used in conjunction with a reverse osmosis system. Remove the water filter cartridge.

If you have questions about your water pressure, call a licensed, qualified plumber.

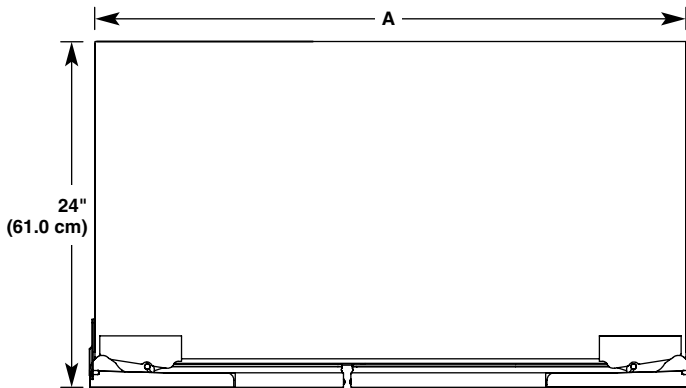


## Product Dimensions

### IMPORTANT:

- The depth from the front face of the doors to the back of the refrigerator cabinet is 24" (60.96 cm) without panels.
- The power cord is 84" (213 cm) long.
- The water supply line is located at the front of the refrigerator.

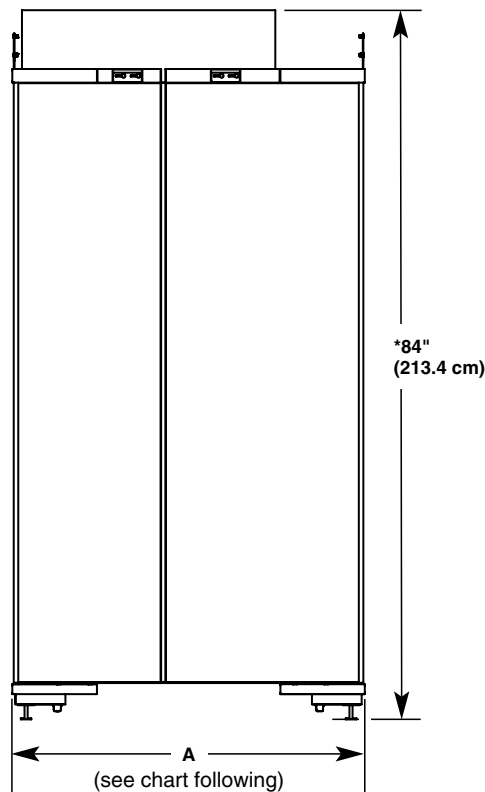
### Top View



Model	A
42	41 <sup>3</sup> / <sub>4</sub> " (106 cm)
48	47 <sup>3</sup> / <sub>4</sub> " (121.3 cm)

### Front View

- Width dimensions were measured from hinge to hinge.



Model	Width A (hinge edge to hinge edge)
42	41 <sup>3</sup> / <sub>4</sub> " (106 cm)
48	47 <sup>3</sup> / <sub>4</sub> " (121.3 cm)

## Tipping Radius

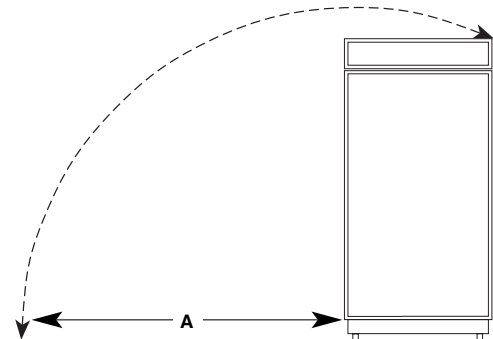
Be sure there is adequate ceiling height to stand the refrigerator upright when it is moved into place.

- The dolly wheel height must be added to the tipping radius when a dolly is used.
- If needed, the tipping radius can be reduced. See "Reduce Tipping Radius."

### Side Tipping Radius

The side tipping radius varies depending upon the width of the model. Use the chart provided to determine the side tipping radius.

**NOTE:** Tip on side only.

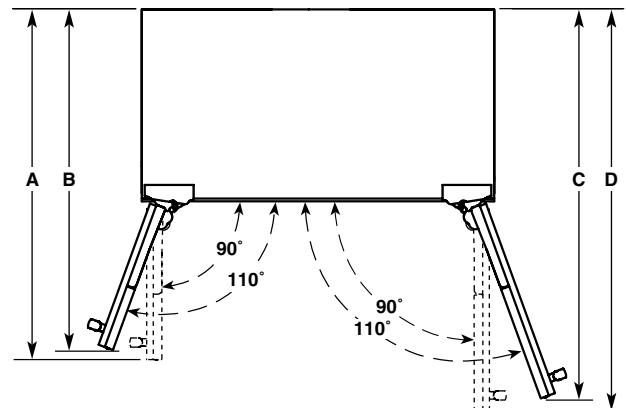


Model	Tipping Radius A
42	91 <sup>5</sup> / <sub>8</sub> " (232.1 cm)
48	94 <sup>5</sup> / <sub>8</sub> " (239.7 cm)

## Door Swing Dimensions

The location must permit both doors to open to a minimum of 90°. Allow 4<sup>1</sup>/<sub>2</sub>" (11.4 cm) minimum space between the side of the refrigerator and a corner wall.

**NOTE:** More clearance may be required if you are using wood overlay panels, custom handles, or extended handles.

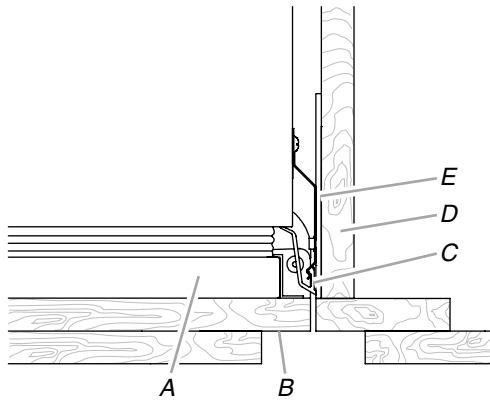


Model	A	B	C	D
42	40 <sup>3</sup> / <sub>4</sub> " (103.5 cm)	39 <sup>3</sup> / <sub>4</sub> " (101.0 cm)	45 <sup>5</sup> / <sub>8</sub> " (115.3 cm)	46 <sup>3</sup> / <sub>4</sub> " (118.8 cm)
48	43 <sup>1</sup> / <sub>4</sub> " (109.9 cm)	42" (106.7 cm)	48 <sup>5</sup> / <sub>8</sub> " (123.5 cm)	50 <sup>1</sup> / <sub>4</sub> " (127.6 cm)

# Cabinet and Panel Installation Options

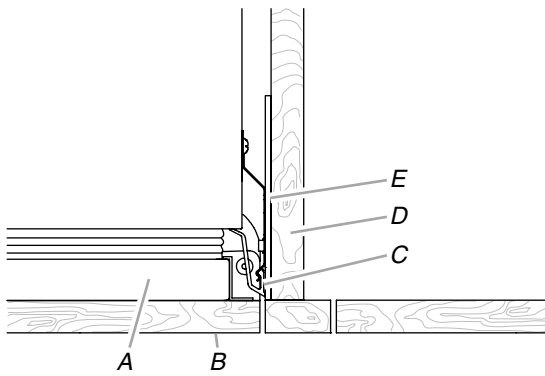
## Cabinet Depth - 25" (63.5 cm)

### Framed Cabinetry Top View



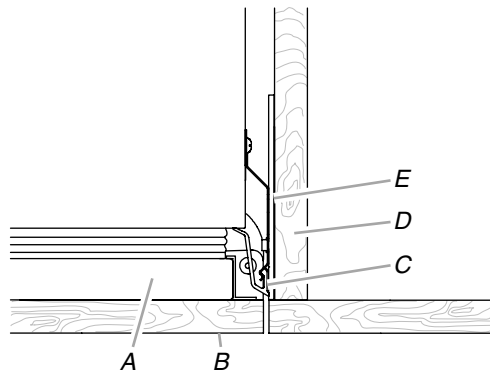
- A. Refrigerator door
- B. Overlay panel
- C. Side trim
- D. Adjacent cabinet
- E. Grille bracket

### Top View - Inset



- A. Refrigerator door
- B. Overlay panel
- C. Side trim
- D. Adjacent cabinet
- E. Grille bracket

### Frameless Cabinetry

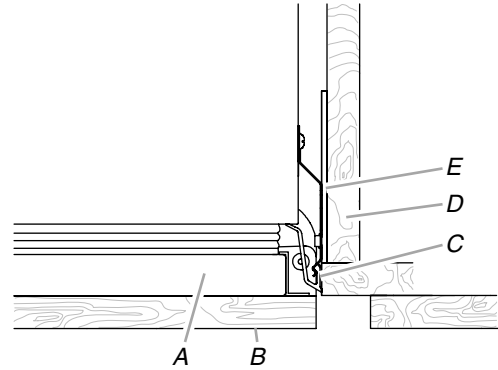


- A. Refrigerator door
- B. Overlay panel
- C. Side trim
- D. Adjacent cabinet
- E. Grille bracket

## Cabinet Depth - 24" (60.9 cm)

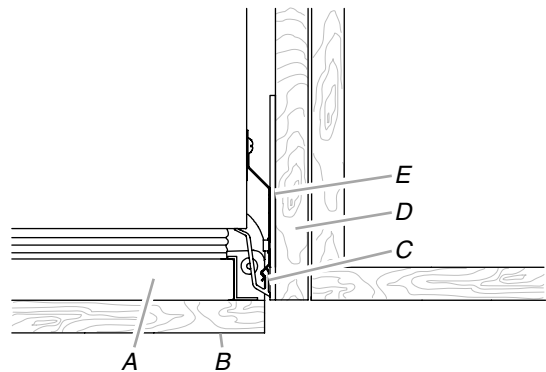
**NOTE:** A flush installation is not possible with a 24" (60.9 cm) deep opening.

### Framed Cabinetry Top View



- A. Refrigerator door
- B. Overlay panel
- C. Side trim
- D. Adjacent cabinet
- E. Grille bracket

### Frameless Cabinetry Top View



- A. Refrigerator door
- B. Overlay panel
- C. Side trim
- D. Adjacent cabinet
- E. Grille bracket

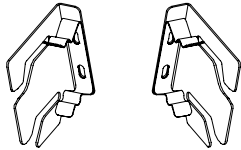
## Fully Integrated Installation Requirements

The refrigerator can be installed fully integrated if the adjacent cabinetry meets the airflow venting requirements critical to refrigerator performance.

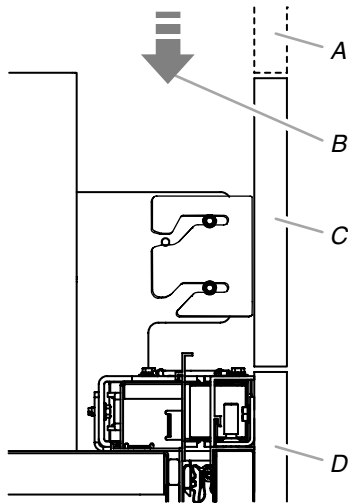
### IMPORTANT:

- Both Standard and Fully Integrated installations can be achieved with either a 24" (60.9 cm) or 25" (63.5 cm) deep opening.
  - A full height grille is used to achieve a fully integrated installation. Use the integrated bracket (provided with refrigerator) to attach the full height grille.
- NOTE:** A top grille filler is not required with a full height grille.

### Integrated Grille Bracket



### Fully Integrated Installation - Side View



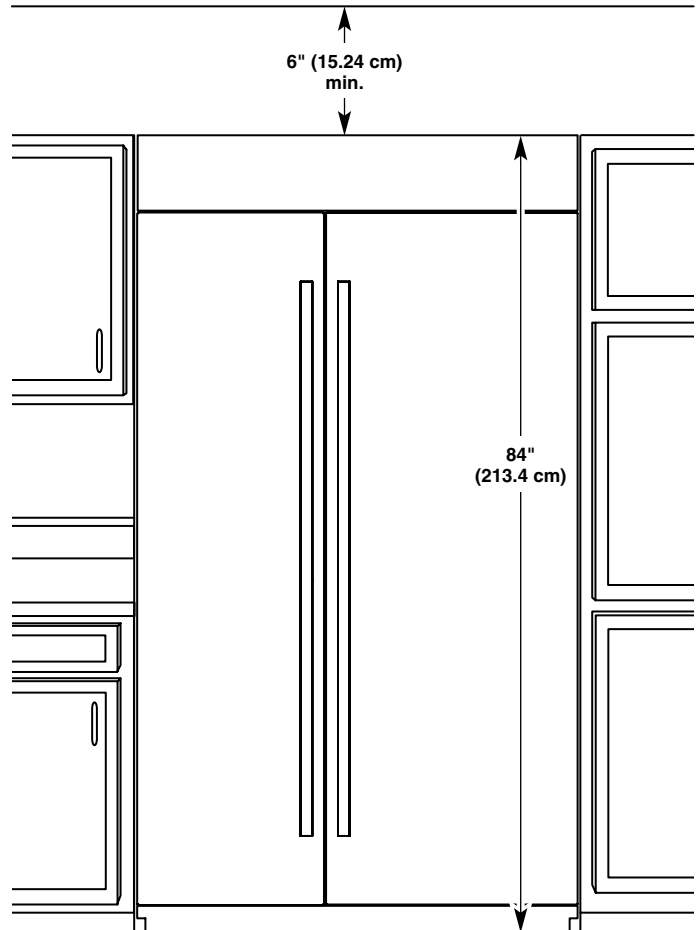
A. False front (optional)  
B. Airflow

C. Full height grille  
D. Door panel

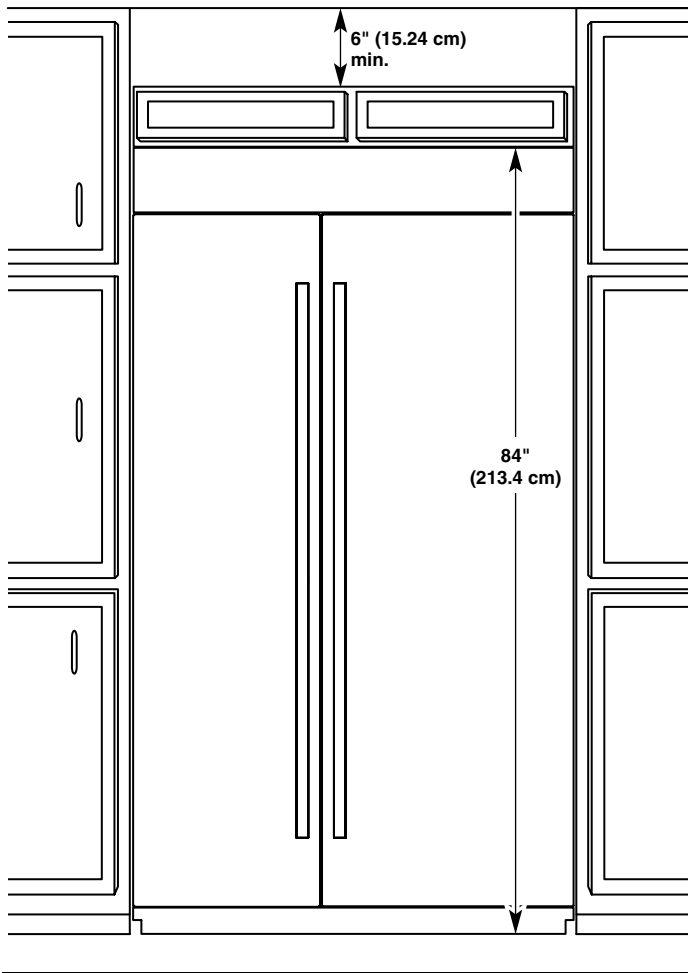
### Airflow Venting Requirements

Fully integrated installations require a minimum of 6" (15.24 cm) of open space above the refrigerator. This space must not be blocked in any way, including soffits.

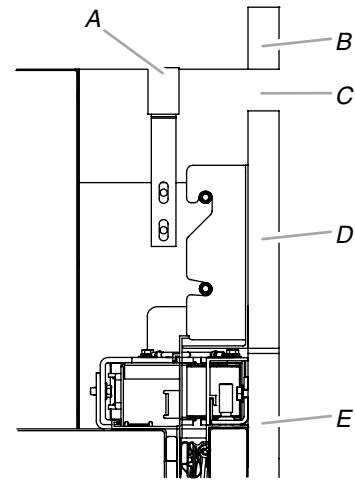
#### Option 1 - Open to Ceiling



**Option 2 - False Front (cabinet face only)**

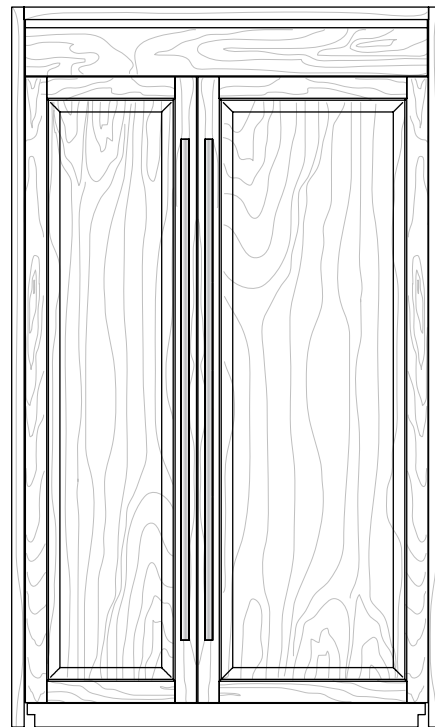


**Standard Installation - Side View**



A. Top grille filler  
 B. Soffit  
 C. Airflow  
 D. Grille panel  
 E. Door panel

**Standard Installation - Full Product View**

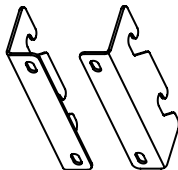


**Standard Installation-Wood Panel Requirements**

**IMPORTANT:**

- A Standard installation can be achieved with either a 24" (60.9 cm) or 25" (63.5 cm) deep opening.
- A standard grille is used to achieve a Standard installation. Use the standard grille bracket (provided with refrigerator) to attach the standard grille.
- The grille panel height, shown in the Standard Installation Flush Grille graphic, allows for an air gap critical to refrigerator performance.

**Standard Grille Bracket**



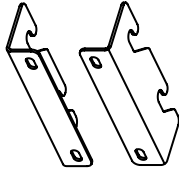
## Panel Kit Installation Requirements

See the "Models" section to see the panel kit options available for your model.

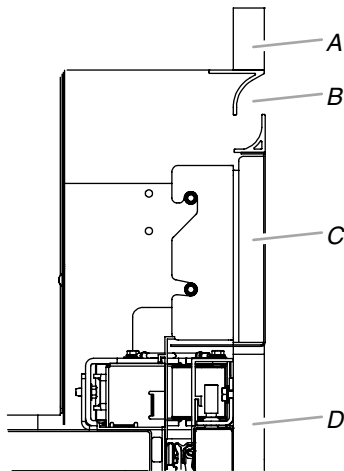
### IMPORTANT:

- A Panel Kit installation can be achieved with either a 24" (60.9 cm) or 25" (63.5 cm) deep opening.
- A standard grille is used to achieve a Panel Kit installation. Use the standard grille bracket (provided with refrigerator) to attach the standard grille.
- The grille panel height, shown in the Standard Installation Flush Grille graphic, allows for an air gap critical to refrigerator performance.

### Standard Grille Bracket



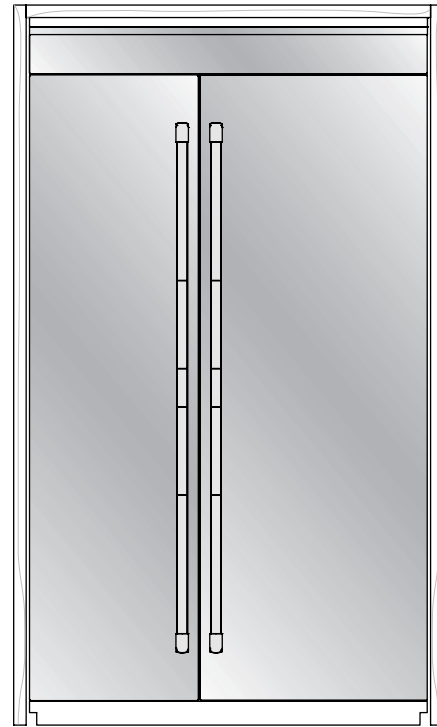
### Panel Kit Installation - Side View



A. Soffit  
B. Airflow

C. Grille panel  
D. Door panel

### Panel Kit Installation - Full Product View



## Custom Wood Overlay Panels

Custom wood overlay panels allow you to blend the exterior of your refrigerator into the overall kitchen décor, and to use custom handles for additional design flexibility.

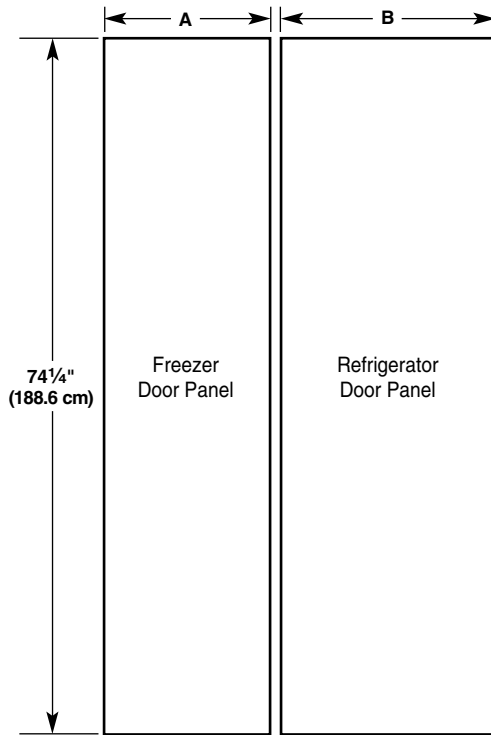
In some cases, your cabinet manufacturer may choose to work with one panel routed for the different dimensions. Follow these panel dimension and placement instructions to be sure that the custom wood overlay panels will fit properly.

### IMPORTANT:

- The weight of the refrigerator door wood overlay panel cannot exceed 66 lbs (29.9 kg) for 48" models or 65 lbs (29.5 kg) for 42" models.
- The weight of the freezer door wood overlay panel cannot exceed 50 lbs (23 kg) for 48" models or 49 lbs (22.2 kg) for 42" models.
- The weight of the top grille wood overlay panel cannot exceed 8 lbs (3.6 kg) for 48" models or 7 lbs (3.2 kg) for 42" models.
- The required thickness for all panels is 3/4" (1.91 cm).
- This installation does not require filler or backer panels.

# Custom Wood Overlay Panel Dimensions

## Door Panels



### CAUTION

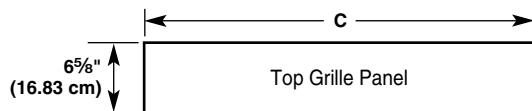
#### Pinch Hazard

Installation of door panels with less than a 3/8" (0.95 cm) gap between the door panel and the adjacent cabinet increases the risk of potential pinching.

Model	42		48	
	3/8"	1/8"	3/8"	1/8"
<b>A</b>	17 <sup>9</sup> / <sub>16</sub> " (44.61 cm)	17 <sup>13</sup> / <sub>16</sub> " (45.24 cm)	20 <sup>1</sup> / <sub>16</sub> " (50.96 cm)	20 <sup>5</sup> / <sub>16</sub> " (50.17 cm)
<b>B</b>	23 <sup>9</sup> / <sub>16</sub> " (59.85 cm)	23 <sup>13</sup> / <sub>16</sub> " (60.48 cm)	27 <sup>1</sup> / <sub>16</sub> " (68.74 cm)	27 <sup>5</sup> / <sub>16</sub> " (69.37 cm)

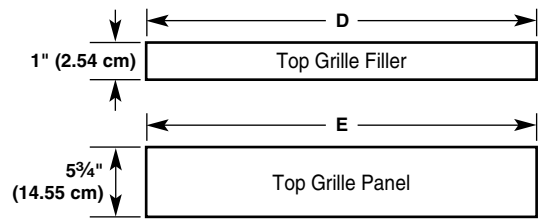
## Grille Panel

### Integrated Installation - Full Height Grille - Open Soffit



Model	42		48	
	3/8"	1/8"	3/8"	1/8"
<b>C</b>	41 <sup>1</sup> / <sub>4</sub> " (104.76 cm)	41 <sup>3</sup> / <sub>4</sub> " (106.05 cm)	47 <sup>1</sup> / <sub>4</sub> " (120.02 cm)	47 <sup>3</sup> / <sub>4</sub> " (121.29 cm)

### Standard Installation - Flush Grille - Open or Closed Soffit



Model	42		48	
	3/8"	1/8"	3/8"	1/8"
<b>D</b>	41 <sup>1</sup> / <sub>4</sub> " (104.76 cm)	41 <sup>3</sup> / <sub>4</sub> " (106.05 cm)	47 <sup>1</sup> / <sub>4</sub> " (120.02 cm)	47 <sup>3</sup> / <sub>4</sub> " (121.29 cm)
<b>E</b>	41 <sup>1</sup> / <sub>4</sub> " (104.76 cm)	41 <sup>3</sup> / <sub>4</sub> " (106.05 cm)	47 <sup>1</sup> / <sub>4</sub> " (120.02 cm)	47 <sup>3</sup> / <sub>4</sub> " (121.29 cm)

**IMPORTANT:** The grille panel height, shown in the Standard Installation Flush Grille graphic, allows for an air gap critical to refrigerator performance.

# INSTALLATION INSTRUCTIONS

## Unpack the Refrigerator

### WARNING



#### Tip Over Hazard

**Refrigerator is top heavy and tips easily when not completely installed.**

**Keep doors taped closed until refrigerator is completely installed.**

**Use two or more people to move and install refrigerator.**

**Failure to do so can result in death or serious injury.**

### IMPORTANT:

- Do not remove the film covering until the refrigerator is in its operating location.
  - All four leveling legs must contact the floor to support and stabilize the full weight of the refrigerator.
  - Keep the cardboard shipping piece or plywood under the refrigerator until it is installed in the operating location.
- Remove and save the literature package and hardware kit located inside the refrigerator. Remove and save the literature, grille, and trim taped to the outside of the refrigerator.

**NOTE:** Do not remove tape and door bracing until the refrigerator is in its final location.

## Move the Refrigerator into House

### **WARNING**



#### Tip Over Hazard

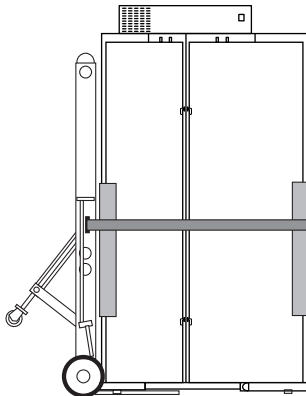
Refrigerator is top heavy and tips easily when not completely installed.

Keep doors taped closed until refrigerator is completely installed.

Use two or more people to move and install refrigerator.

Failure to do so can result in death or serious injury.

1. Place an appliance dolly under the left side of the refrigerator as shown. Place the corner posts from the packing materials over the trims as appropriate. Slowly tighten the strap.



2. Place pieces of the shipping carton on the floor when rolling the dolly and refrigerator into the house. Move the refrigerator close to the built-in opening.
3. Place top of cardboard carton or plywood under refrigerator.
4. Stand the refrigerator up. First, place the left bottom edge of the refrigerator on the floor, stand the refrigerator upright and then lower the right-hand side of the refrigerator to the floor.
5. Reassemble the trim and top grille after the dolly has been removed from the refrigerator.

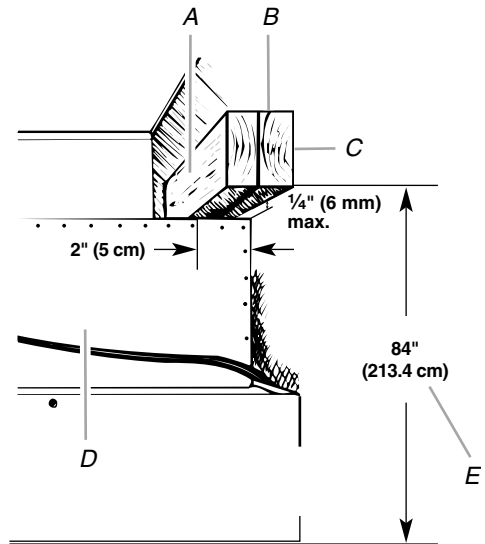
## Install Anti-Tip Boards

### IMPORTANT:

- If a solid soffit is not available, an anti-tip board must be installed.
- It is recommended that board(s) be installed before the refrigerator is installed.
- Board(s) must be long enough to fully cover the width of the compressor cover.
- Locate the board(s) so the bottom surface(s) of the board(s) is(are) 84" (213 cm) from the floor.
- During installation, raise the refrigerator up until the top of the refrigerator is making contact with the bottom of the anti-tip board(s). Do not crush the compressor cover when raising the rear leveling legs.

## To Install Anti-tip Boards

1. Mark the stud locations on rear wall 80" to 90" (203 cm to 229 cm) above floor.
2. Securely attach one or two 2" x 4" x 32" (5 cm x 10 cm x 81 cm) boards to wall studs behind refrigerator. Use six #8 x 3" (7.6 cm) (or longer) wood screws. The wood screws must be screwed into the studs at least 1½" (3.8 cm). The board(s) must overlap the compressor cover.



- A. Center board ¼" (6.35 mm) max. above refrigerator  
 B. Two 2" x 4" x 32" (5 cm x 10 cm x 81 cm) boards  
 C. Attach to studs with six #8 x 3" (7.6 cm) screws  
 D. Compressor cover  
 E. Distance from bottom of anti-tip board to floor

## Connect the Water Supply

Read all directions before you begin.

**IMPORTANT:** If you turn the refrigerator on before the water line is connected, turn the ice maker OFF.

### Connect to Water Line

#### Parts Needed:

- Minimum 7 ft (2.13 m) flexible, codes approved water supply line

#### Style 1 - Shutoff Valve Connection

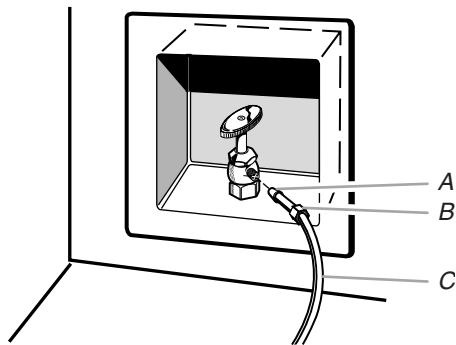
**NOTE:** If your water line connection does not look like Style 1, see "Style 2 - Copper Line Connection."

1. Unplug refrigerator or disconnect power supply.

**IMPORTANT:** Before attaching the tubing to shutoff valve, flush the main water supply line to remove particles and air in the water line. Allow enough flow so that water becomes clear. Flushing the water line may help avoid filters and/or water valves from becoming clogged.

2. Connect the flexible, codes approved water supply line to the water shutoff valve by threading the provided nut onto the shutoff valve as shown.

**NOTE:** The shutoff valve shown is in the side cabinet as recommended.



A. Bulb  
B. Nut  
C. Water tubing

3. Place the end of the tubing into a bucket, and turn shutoff valve ON.
4. Check for leaks. Tighten any nuts or connections (including connections at the valve) that leak.

### Style 2 - Copper Line Connection

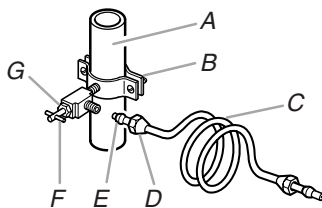
**NOTE:** If there is a water supply line that meets the specifications in "Water Supply Requirements," proceed to "Connecting to Refrigerator." If not, use the following instructions to connect to the household cold water supply.

1. Unplug refrigerator or disconnect power.
2. Turn OFF main water supply. Turn ON nearest faucet long enough to clear line of water.
3. Locate a 1/2" to 1 1/4" (1.25 cm to 3.18 cm) vertical cold water pipe near the refrigerator.

**IMPORTANT:**

- Make sure it is a cold water pipe.
- Horizontal pipe will work, but drill on the top side of the pipe, not the bottom. This will help keep water away from the drill and keep normal sediment from collecting in the valve.

4. Determine the length of copper tubing you need. Measure from the connection on the lower left rear of refrigerator to the water pipe. Add 7 ft (2.1 m) to allow for cleaning. Use 1/4" (6.35 mm) O.D. (outside diameter) copper tubing. Be sure both ends of copper tubing are cut square.
5. Using a cordless drill, drill a 1/4" (6.35 mm) hole in the cold water pipe you have selected.



A. Cold water pipe  
B. Pipe clamp  
C. Copper tubing  
D. Compression nut  
E. Compression sleeve  
F. Shutoff valve  
G. Packing nut

6. Fasten the shutoff valve to the cold water pipe with the pipe clamp. Be sure the outlet end is solidly in the 1/4" (6.35 mm) drilled hole in the water pipe and that the washer is under the pipe clamp. Tighten the packing nut. Tighten the pipe clamp screws slowly and evenly so washer makes a watertight seal. Do not overtighten.

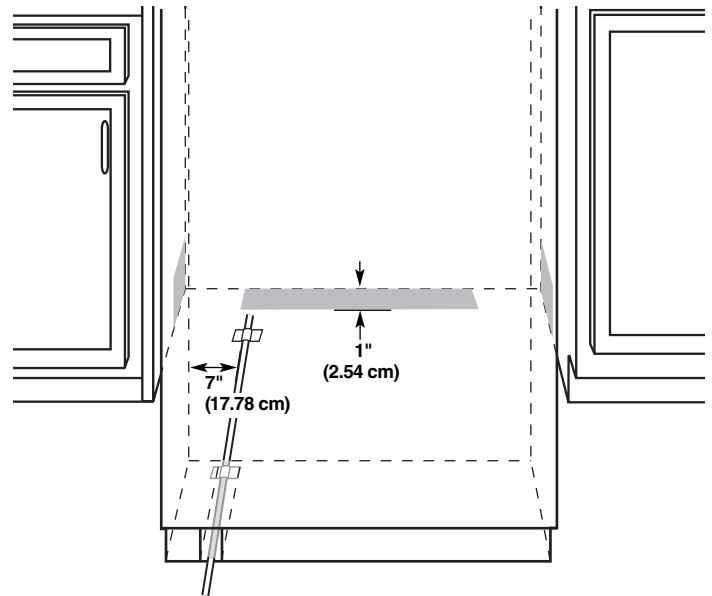
**IMPORTANT:** Before attaching the tubing to shutoff valve, flush the main water supply line to remove particles and air in the water line. Allow enough flow so that water becomes clear. Flushing the water line may help avoid filters and/or water valves from becoming clogged.

7. Slip the compression sleeve and compression nut on the copper tubing as shown. Insert the end of the tubing into the outlet end squarely as far as it will go. Screw compression nut onto outlet end with adjustable wrench. Do not overtighten the clamp or the sleeve. This will crush the copper tubing.
8. Turn off the shutoff valve on the water pipe. Coil the copper tubing.
9. Connect the flexible, codes approved water supply line to the water shutoff valve by threading the provided nut onto the shutoff valve.
10. Place the end of the tubing into a bucket, and turn shutoff valve ON.
11. Check for leaks around the saddle valve. Tighten any nuts or connections (including connections at the valve) that leak.

### Connect to Refrigerator

**Parts Supplied:**

- 1/4" to 1/4" (6.35 mm to 6.35 mm) male-to-male coupling



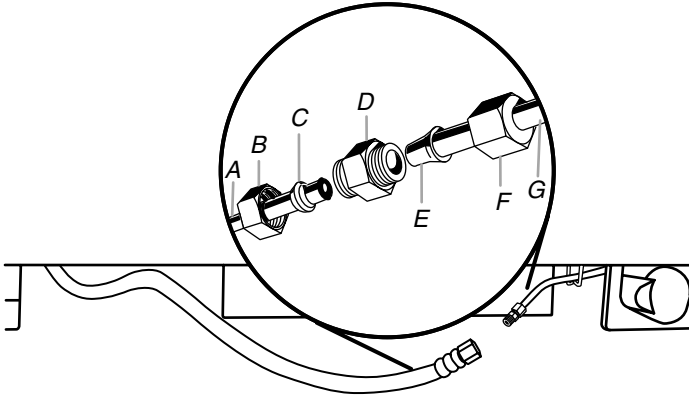
**NOTE:** The flexible, codes approved water supply line can connect to the supply valve through the floor or through the side cabinets, as indicated by the gray boxes above.

1. Unplug the refrigerator or disconnect power.
2. Connect the 7 ft (2.13 m) flexible codes approved water tube to the water supply valve.
3. Flush the main water supply line to remove particles and air in the water line. Allow enough flow so that water becomes clear.



4. Tape the 7 ft (2.13 m) flexible codes approved water supply line to the floor, 7" (17.78 cm) from the left side of the refrigerator. Tape along the length of the tubing, which will allow it to pass beneath the refrigerator without interference.  
**NOTE:** Allow a minimum of 26" (66.04 cm) of flexible codes approved water supply line to be loose at the front of the refrigerator for connecting to the refrigerator.

5. Connect the 7 ft (2.13 m) flexible codes approved water supply line to the refrigerator.  
**NOTE:** If the main water shutoff valve is behind the refrigerator, a secondary water shutoff valve may be installed in line with the water supply line at the front of the product.



- |                         |                              |
|-------------------------|------------------------------|
| A. Household water line | E. Bulb                      |
| B. Nut (purchased)      | F. Nut                       |
| C. Ferrule (purchased)  | G. Refrigerator water tubing |
| D. Coupling             |                              |

6. Turn on the water supply valve and check all connections for leaks.

## Plug in Refrigerator

### **⚠ WARNING**



#### Electrical Shock Hazard

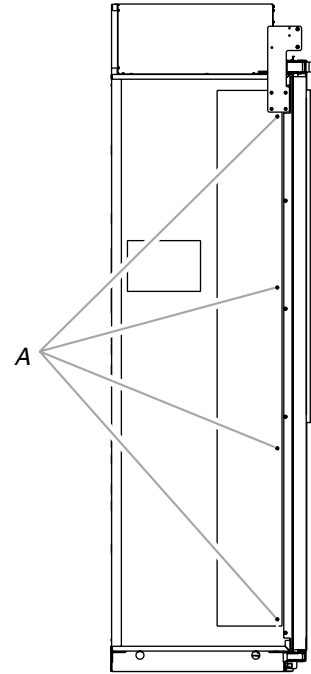
- Plug into a grounded 3 prong outlet.**
- Do not remove ground prong.**
- Do not use an adapter.**
- Do not use an extension cord.**
- Failure to follow these instructions can result in death, fire, or electrical shock.**

1. Set control switch at top of cabinet to the OFF position.
2. Plug into a grounded 3 prong outlet.

## Install Side Trims

The side trims cover the space between the refrigerator and the adjacent cabinets. There is a trim piece taped to each side of the refrigerator. Install each trim piece to the side of the refrigerator to which it is taped.

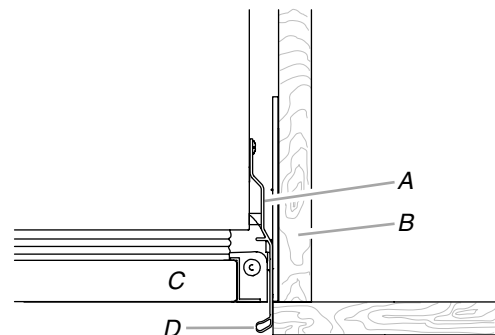
1. Remove the tape attaching the trim pieces to the sides of the refrigerator. Set the trim pieces aside.  
**IMPORTANT:** For installations using custom wood panels with  $\frac{1}{8}$ " gap, the bulb-shaped section of the trim piece will interfere with the panels. Score each trim piece at the base of the bulb-shaped section, then remove and discard this section. See the Top View graphic later in this section.
2. Remove the four screws from the side of the refrigerator cabinet.



A. Side trim screws

3. Using the original holes and the screws removed in Step 2, fasten the side trim to the refrigerator cabinet.  
**NOTE:** Make sure to fasten each trim piece to the side of the refrigerator cabinet from which it was removed. The bulb-shaped section should be forward with the notch at the top, as shown.

### Top View



- |                        |
|------------------------|
| A. Side trim           |
| B. Adjacent cabinet    |
| C. Door                |
| D. Bulb-shaped section |

## Move Refrigerator to Final Location

### ⚠ WARNING



#### Tip Over Hazard

Refrigerator is top heavy and tips easily when not completely installed.

Keep doors taped closed until refrigerator is completely installed.

Use two or more people to move and install refrigerator.

Failure to do so can result in death or serious injury.

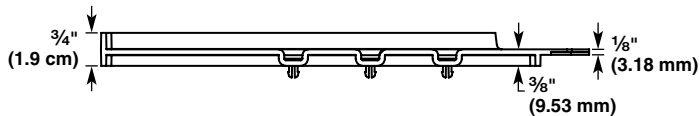
#### IMPORTANT:

- To avoid floor damage, make sure levelers are raised (not touching floor) and refrigerator is on rollers before moving.
- Use the installation block, attached to the door hinge, as a reference to make sure the refrigerator is pushed back far enough into the opening, so that when the panels are installed they will be flush with the adjacent cabinets.

**NOTE:** A flush installation is not possible with a 24" (60.9 cm) deep opening.

- After the refrigerator is leveled and aligned, remove the installation block from the door hinge and use it to check the spacing between the panels and adjacent cabinets.

**NOTE:** The installation block is designed to provide accurate spacing for  $\frac{3}{4}$ " (1.9 cm),  $\frac{3}{8}$ " (9.53 mm) and  $\frac{1}{8}$ " (3.18 mm).

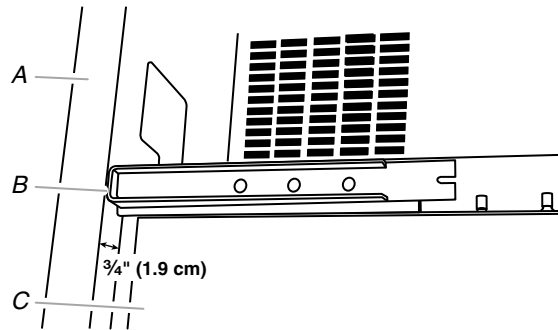


1. Place top of cardboard carton or plywood under refrigerator. Remove dolly.
2. Move the refrigerator straight back and evenly into the opening. Be sure that the water tubing is not kinked and the power supply cord is on top of the refrigerator.

**NOTE:** If the power supply cord is behind the refrigerator, it will not install properly.

3. Make sure the installation block is flush with the adjacent cabinets.

**NOTE:** To achieve a flush installation, it is critical to verify a  $\frac{3}{4}$ " (1.9 cm) depth from the front face of the adjacent cabinetry to the refrigerator.



A. Adjacent cabinet or wall  
B. Installation block  
C. Face of refrigerator

## Level and Align Refrigerator

### ⚠ WARNING



#### Tip Over Hazard

Refrigerator is top heavy and tips easily when not completely installed.

Keep doors taped closed until refrigerator is completely installed.

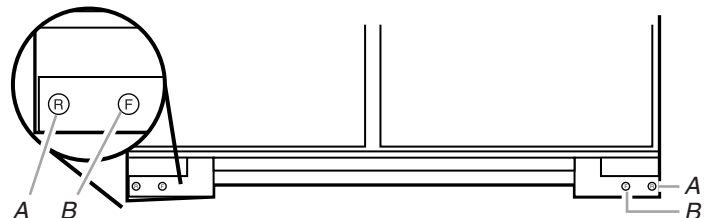
Use two or more people to move and install refrigerator.

Failure to do so can result in death or serious injury.

**IMPORTANT:** All four leveling legs must contact the floor to support and stabilize the full weight of refrigerator. Rollers are for moving the refrigerator, not for permanent support.

After moving the refrigerator to its final location:

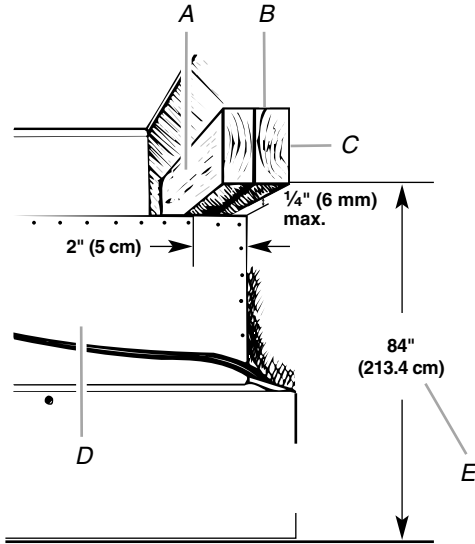
1. Use a  $\frac{5}{16}$ " socket driver to turn the leveling bolts clockwise to extend the legs to the floor as shown. The rollers should be off the floor.



A. Rear leveling bolt  
B. Front leveling bolt

- Adjust the leveling legs to level and align the refrigerator from left to right and front to back so that the refrigerator is level and aligned with the cabinets.
- Continue adjusting all of the leveling legs to raise the refrigerator until the top is within at least  $\frac{1}{4}$ " (6.35 mm) of the top soffit as shown.

**NOTE:** If an anti-tip board has been used, adjust the leveling legs until the top of the refrigerator is making contact with the bottom of the anti-tip board(s). Do not crush the compressor cover.



- A. Center board  $\frac{1}{4}$ " (6.35 mm) max. above refrigerator
- B. Two 2" x 4" x 32" (5 cm x 10 cm x 81 cm) boards
- C. Attach to studs with six #8 x 3" (7.6 cm) screws
- D. Compressor cover
- E. Distance from bottom of anti-tip board to floor

**IMPORTANT:** Adjust in small increments to keep from damaging the cabinet trim and causing problems with the door alignment or top grille fit. To avoid damage to the cabinet or leveling legs, do not apply more than 50 inch-pounds (5.65 Nm) of torque to the leveling bolts. The leveling legs can be extended to a maximum of  $1\frac{1}{4}$ " (3.18 cm) below the rollers.

- After leveling the refrigerator, again use a straight edge or 4 foot level across the front of the refrigerator installation blocks to the cabinets to check that the refrigerator is still flush.

## Install Refrigerator and Panels

**IMPORTANT:** Jenn-Air is not responsible for the removal or addition of molding or wood overlay panels that would not allow access to the refrigerator for service.

### Install Top Grille Filler (standard installation only)

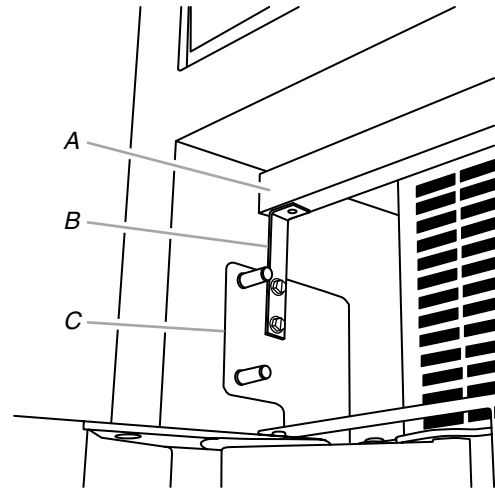
**IMPORTANT:** The grille panel height allows the necessary airflow for refrigerator performance. The top grille filler hides the upper compartment cover behind the top grille. If you choose to modify the recommended grille panel dimensions, performance will be compromised.

### Custom Wood Panel Models

- In the custom made (1" x width of grille panel) wood filler piece, drill a hole  $1\frac{1}{16}$ " from each edge.

**NOTE:** Make sure the hole is centered in the 1" thickness of the wood piece.

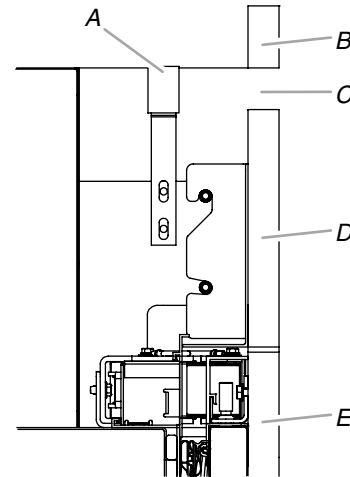
- Using slotted hex head screws (provided with refrigerator), fasten an "L" bracket to each end of the wood filler piece.
- Using hex head blunt screws (provided with refrigerator), attach the "L" brackets to the top grille mounting plates.
- Adjust the "L" brackets, so that the wood filler piece is flush with the bottom of the soffit. Completely tighten the screws.



- A. Custom wood filler
- B. "L" bracket

- C. Grille mounting plate

### Side View



- A. Top grille filler
- B. Soffit
- C. Airflow

- D. Grille panel
- E. Door panel

## Panel Kit Models

### **! WARNING**

#### Excessive Weight Hazard

Use two or more people to move and install panels.  
Failure to do so can result in back or other injury.

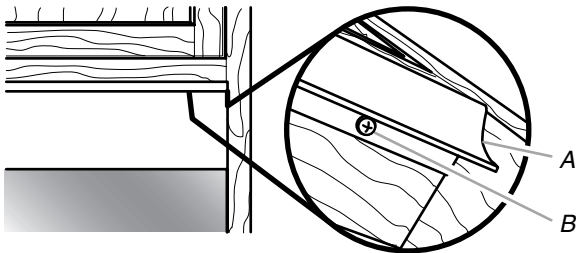
### **! WARNING**



#### Broken Glass Hazard

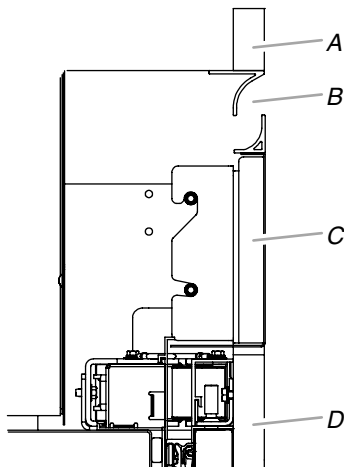
Do not hit refrigerator glass doors.  
Protect glass surface and edges during installation or removal of doors.  
Failure to do so can result in serious eye injury or minor cuts.

1. Align top grille vent (provided in the door kit) with the bottom edge of the soffit. Use as a template, and mark where to drill the holes.
2. Using the slotted hex head screws (provided with refrigerator), attach the top grille vent to the soffit.



A. Top grille vent  
B. Slotted hex head screw

### Side View



A. Soffit  
B. Airflow  
C. Grille panel  
D. Door panel

## Predrill Panels (custom wood panels only)

**IMPORTANT:** The template can be used for either a 3/8" (0.95 cm) or a 1/8" (0.32 cm) reveal installation.

- The drilling templates are used only for custom wood overlay panels.
  - The drilling templates are double-sided.
  - The drilling holes are precut into the template.
1. On the template, locate the diagram of your refrigerator. Then, follow the letters and colored arrows to correctly place the drilling template on the panels.
  2. Predrill 1/8" (0.32 cm) deep pilot holes into the wood rails bordering the doors and top grille panels.

## Predrill Panels (panel kits only)

**IMPORTANT:** The panels included in the panel kits are marked for the location of the mounting brackets only.

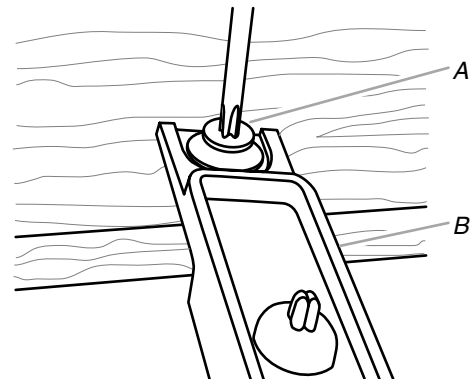
1. Predrill holes where marked. See "Complete Installation" later in this section, for instructions on drilling additional holes in the door panels.
2. Peel back the film cover on the door panel in the area of the brackets and handle studs. Do not fully remove the film covering until the installation is complete.

## Prepare Panels (custom wood and panel kits)

**IMPORTANT:** The process for installing panels on the refrigerator is the same for both custom panels and panel kits.

### Door Panels

1. Place panels on a firm, flat surface with the front facing down.
2. Locate the two predrilled holes in the handle side edge of the door panel.
3. Using the installation block as a guide for depth, screw the door studs (provided with refrigerator) into the predrilled door panel (two door studs per door).



A. Door stud  
B. Installation block

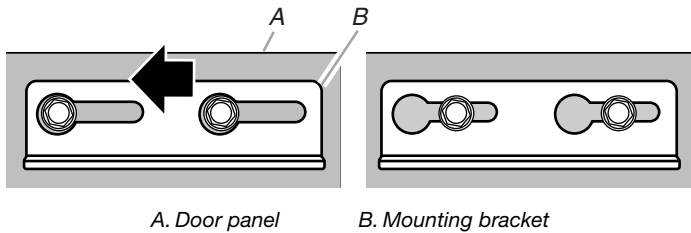
4. For the mounting bracket, insert the hex head pointed screws (provided with refrigerator) into the wood at the top of the door panels where they were predrilled.

### NOTES:

- It is critical to use the 5/8" screw, the longest length provided, to attach the bracket to the top of the door panel. These hex head pointed screws are used only to attach this mounting bracket.
- Panel Kits - Find the holes to attach the hex head pointed screws by locating the slots in the door panel, not the U-shaped holes.

- Attach a mounting bracket to the top edge of each door panel by placing the large end of the keyhole slot over the screws and sliding the bracket so that the screws are centered in the slots.

**NOTE:** Start with the screws in the center of the slots as shown, then move the door panel, as necessary, to align.

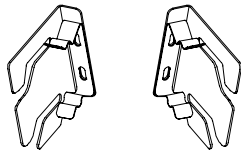


### Top Grille Panel

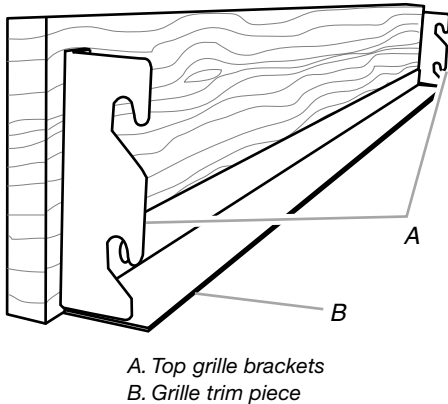
- Using the slotted hex head screws (provided with refrigerator), attach a mounting bracket to each side of the top grille panel.

**IMPORTANT:** See the Parts Provided insert sheet to select the brackets designated for your installation.

- Use the Integrated Grille brackets for an Integrated Installation with a full height grille.



- Use the Standard Grille brackets for a Standard Installation with a closed or open soffit.



- Using round head screws (provided with refrigerator), attach the grille trim piece to the bottom of the grill panel.

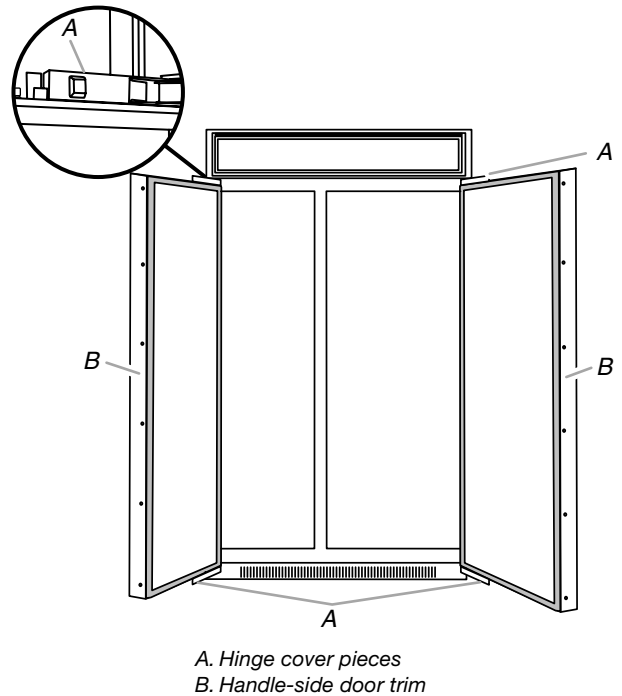
**NOTE:** The grille trim is pre installed on the panel kits.

### Remove Trim Pieces

- Remove all tape and door bracing from the refrigerator and freezer doors.
- Open the refrigerator and freezer doors.
- Remove the hinge cover pieces from the top and bottom of the door to expose the holes in the hinges.

**NOTE:** It is not necessary to remove the hinge side trims as they will not interfere with the installation.

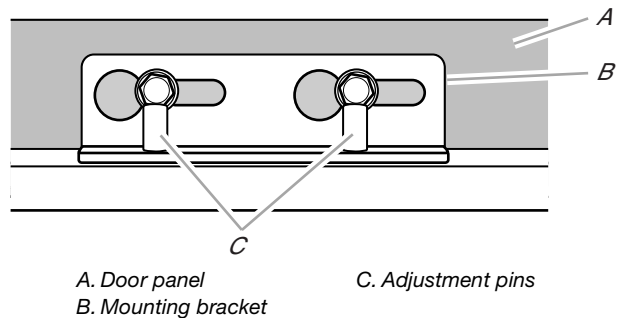
- Remove the handle side trims. See the following graphic.



### Install Door Panels

**NOTE:** First open the door opposite from the one to which you are installing the door panel.

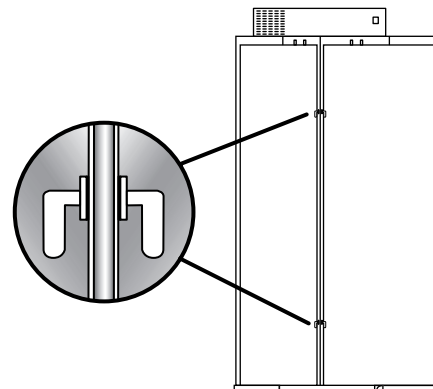
- Lower the panel mounting bracket onto the adjustment pins at the top of the door.



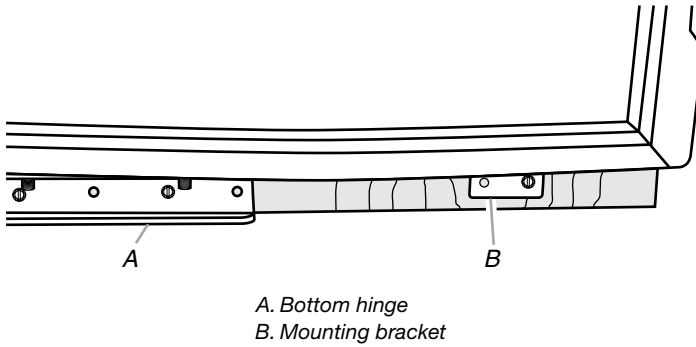
- Locate the studs on the back of the door panel. Slide the studs, top stud first followed by the bottom stud, into the "J" pockets in the front of the door.

**NOTE:** It is the washer in the stud, not the head of the stud, that is inserted in the "J" pocket.

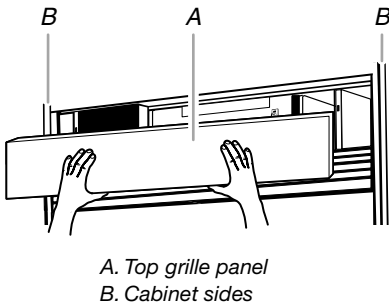
- Slide the door panel down, into the "J" pocket in the front of the door.



- Repeat steps 1 through 3 to install the second door panel.
- Using slotted hex head screws (provided with refrigerator), attach the mounting bracket (factory installed), located at the bottom of the refrigerator and freezer doors, to the respective door panels. Do not fully tighten the screw.

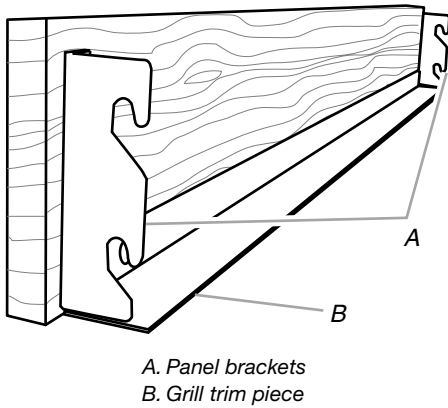


### Install Top Grille Panel



### Standard Installation - Flush Grille

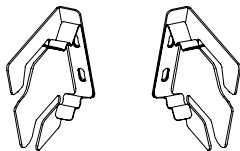
- Hook the panel brackets onto the mounting bolts extending from the top of the refrigerator.



- Pull the grille panel down slightly to lock into place.

### Integrated Installation - Full Height Grille

- Align the bracket on each side of the top grille panel with the mounting bolts.

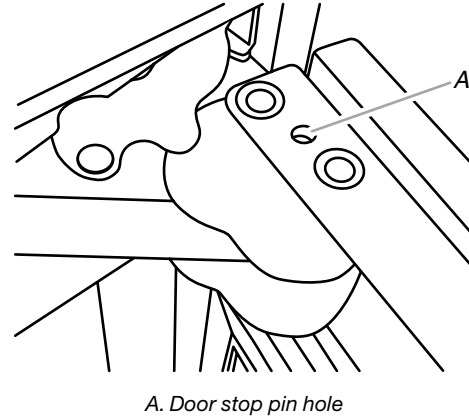


- Push the grille panel forward until the bracket snaps into place.

### Door Swing Adjustment

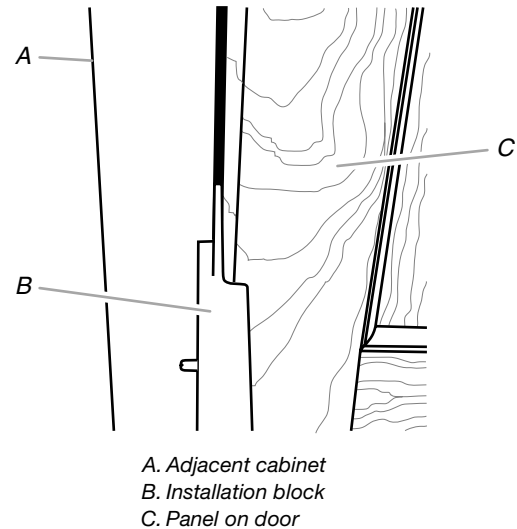
It may be necessary to adjust the swing of the door. Make sure the refrigerator door(s) can open freely. If the door(s) opens too wide, install the door stop pin (provided with refrigerator).

- Hold the door open to a position that is less than 90°.
- Insert the door stop pin into the top hinge in the hole shown.
- Using a  $\frac{5}{32}$ " hex key, tighten the door stop pin.

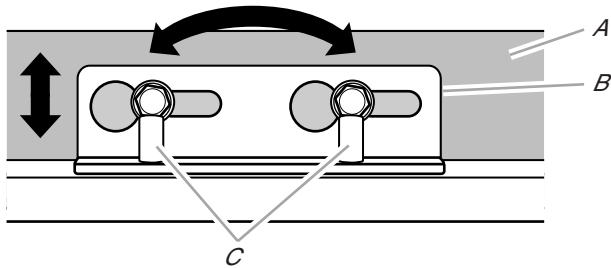


### Complete Installation

- Use the installation block to measure the gaps between the panels and adjacent cabinets.
  - Custom wood overlay panels may be made with a  $\frac{3}{8}$ " (0.95 cm) or  $\frac{1}{8}$ " (0.32 cm) gap between the panel and cabinets and a  $\frac{1}{8}$ " (0.32 cm) gap between the freezer and refrigerator door(s) and the door(s) and top grille.
  - All purchased panel kits require a  $\frac{3}{8}$ " (0.95 cm) gap between the panel and the cabinets and a  $\frac{1}{8}$ " (0.32 cm) gap between the freezer and refrigerator door(s), and the door(s) and top grille.

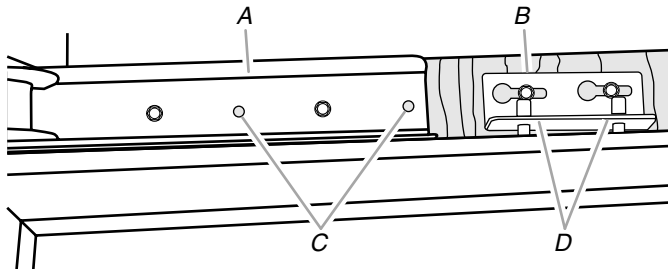


2. Adjust the panel to achieve the required spacing, or to align.  
**IMPORTANT:** If adjustments are needed, adjust the panel not the door. Adjust left to right in the mounting bracket before using the pins to adjust the panel up and down or at an angle.
- Slide the panel from side to side in the keyhole slot.
  - Use an hex key to raise or lower the adjustment pins which allows the door panel to swivel.



A. Door panel  
 B. Mounting bracket  
 C. Adjustment pins

3. Pre-drill a 1/8" deep pilot hole the door panel through the open holes in both the bottom and top hinges.
4. Using slotted hex head screws (provided with refrigerator), attach the top and bottom hinges to the door panels. Fully tighten all door panel screws.



A. Top hinge  
 B. Mounting bracket  
 C. Holes for screws  
 D. Adjustment pins

5. Using slotted hex head screws (provided with refrigerator) for each side, attach the door panels to the hinge-side door trims.
6. Using Phillips head flat screws (provided with refrigerator), install the handle side door trim.
7. Completely tighten the screws attaching the mounting brackets, located at the bottom of the doors, to the overlay panels.
8. Reinstall the top door trim and hinge cover.
9. Snap the adjustment pin cover (provided with refrigerator) into place.

## Install Handles

(Panel Kit Models Only)

**IMPORTANT:** Install the handles after the door panels have been installed. Follow the instructions specific to your door panel design.

**Tools Needed:** 3/32" hex key

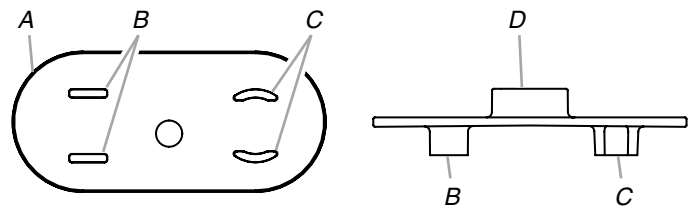
### Door Panels - Custom Wood, Stainless Steel and Oiled Bronze Designs

1. Locate the holes in the door panels where the handle mounting studs are to be installed.
2. Fasten the handle mounting studs to the door panels.
3. Install the handles to the handle mounting studs and tighten the setscrews.

### Door Panels - Floating Glass Design

**IMPORTANT:** To align the handle correctly on the door, the plastic handle spacer and the setscrews on the door handle must be in the positions designated in the chart.

1. Locate the holes in the door panels where the handle mounting studs are to be installed.
2. Insert the circular post on the back of the handle spacers into the holes in the door panels.



A. Plastic handle spacer  
 B. Straight handle mounting posts  
 C. Curved handle mounting posts  
 D. Circular post

3. Depending on the compartment, rotate the plastic spacer so that the curved handle mounting posts are either at the top or bottom. See following chart.

	Freezer Left-Hand Door	Refrigerator Right-Hand Door
<b>Curved Mounting Post</b>	Bottom	Top
<b>Setscrews</b>	Right	Left

4. Slide the screw into the handle mounting stud. Insert the screw assembly into the center hole of the plastic spacer and fasten it to the door panel.
5. Install the handles to the handle mounting studs so that the setscrews are on the designated side and tighten the setscrews.

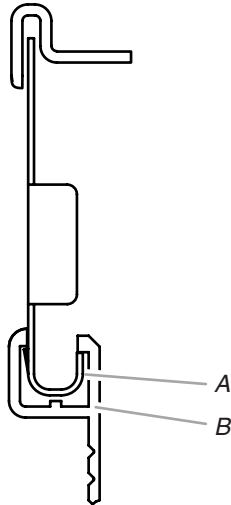
## Install Base Grille

There are two pieces to the base grille to allow for a custom fit: the base grille itself and the skirt. The skirt can be added to the base grille in order to extend it all the way to the floor.

1. To see whether the skirt is needed, place the base grille into position. Do not attach the base grille to the refrigerator. Measure the distance between the bottom of the base grille and the floor. The gap must be a minimum of  $\frac{1}{2}$ " (1.27 cm) in order to add the skirt.

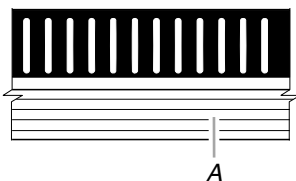
**NOTE:** If the gap measures less than  $\frac{1}{2}$ " (1.27 cm), skip steps 3 and 4 of the instructions, and install the base grille only.

2. Remove the film from the base grille.
3. Snap the skirt onto the base grille.



A. Base grille  
B. Skirt

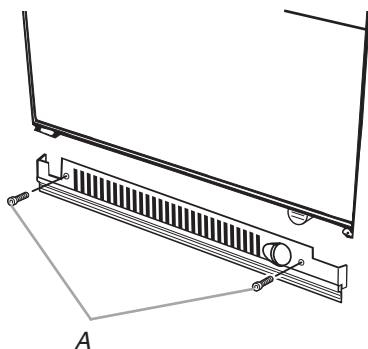
4. Trim the skirt by scoring the proper "V" groove with a utility knife. Break the skirt at the score line.



A. "V" groove

5. Using the two screws, attach the base grille assembly to the refrigerator as shown.

**NOTE:** Drive in the right side screw first.



A. Screws (2)

## Complete Installation

1. Turn the water supply line valve to the "Open" position.
2. Turn the refrigerator switch to the ON position. See "Power On/Off Switch" in the Use & Care Guide for instructions. Wait a few minutes. Check the water line connections for leaks.
3. Remove all boxes, parts packages and packing materials from the interior of the refrigerator. See the "Cleaning" section in the Use & Care Guide for instructions. Remove the film and cardboard from the grille and doors or door frame, depending on your model.
4. Install the shelves and bins in the refrigerator and freezer compartments.
5. The controls are preset at the factory to the midpoint setting. Check that the compressor is operating properly and that all the lights are working.
6. Flush the water system before use. See "Water System Preparation."

To get the most efficient use from your new built-in refrigerator, read the Use & Care Guide. Keep Installation Instructions and Use & Care Guide near the built-in refrigerator for easy reference.



# SEGURIDAD DEL REFRIGERADOR

## Su seguridad y la seguridad de los demás es muy importante.

Hemos incluido muchos mensajes importantes de seguridad en este manual y en su electrodoméstico. Lea y obedezca siempre todos los mensajes de seguridad.



Este es el símbolo de advertencia de seguridad.

Este símbolo le llama la atención sobre peligros potenciales que pueden ocasionar la muerte o una lesión a usted y a los demás.

Todos los mensajes de seguridad irán a continuación del símbolo de advertencia de seguridad y de la palabra "PELIGRO" o "ADVERTENCIA". Estas palabras significan:

**⚠ PELIGRO**

Si no sigue las instrucciones de inmediato, usted puede morir o sufrir una lesión grave.

**⚠ ADVERTENCIA**

Si no sigue las instrucciones, usted puede morir o sufrir una lesión grave.

Todos los mensajes de seguridad le dirán el peligro potencial, le dirán cómo reducir las posibilidades de sufrir una lesión y lo que puede suceder si no se siguen las instrucciones.

## ⚠ ADVERTENCIA



### Peligro de Vuelco

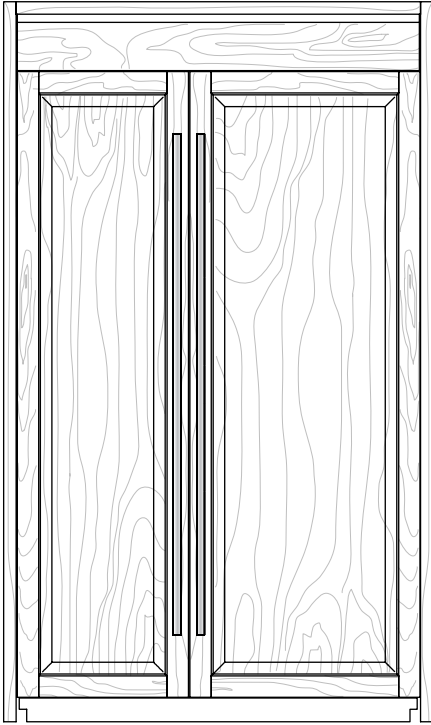
El refrigerador puede volcarse cuando está siendo instalado debido a que la parte superior es pesada.

Mantenga las puertas cerradas con cinta hasta que el refrigerador esté completamente instalado.

Use dos o más personas para mover e instalar el refrigerador.

No seguir estas instrucciones puede ocasionar la muerte o herida seria.

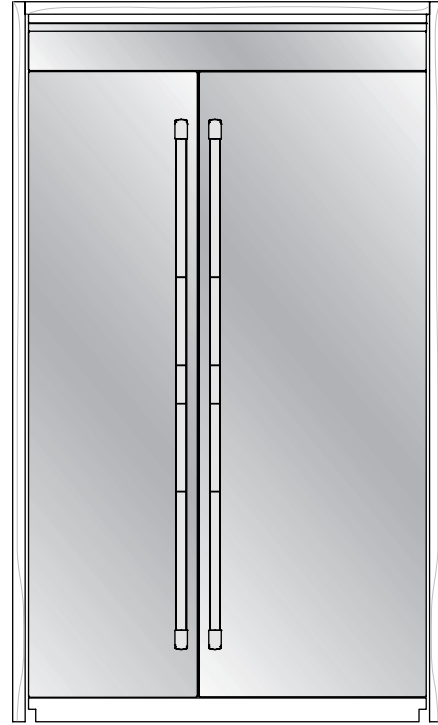
# MODELOS



## Diseño incorporado

Presenta paneles y piezas hechos a la medida provistos por el fabricante de armarios, para dar una apariencia perfecta, diseñada para armonizar con los armarios de cocina existentes.

**Números de modelos base:** JS42NXFXDW, JS48NXFXDW

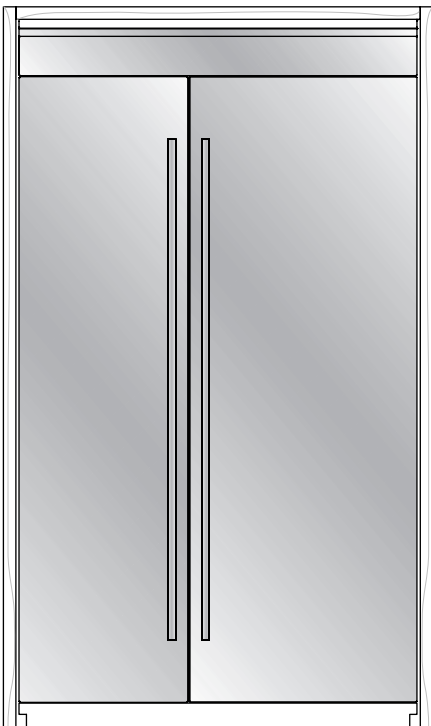


## Diseño de acero inoxidable Pro-Style®

Equipado con puertas con cobertura de acero inoxidable y manijas con grabado en forma de diamante Pro-Style®.

**Números de modelos base:** JS42NXFXDW, JS48NXFXDW

**Números de modelos del juego:** JPK42SNXWPS, JPK48SNXWPS

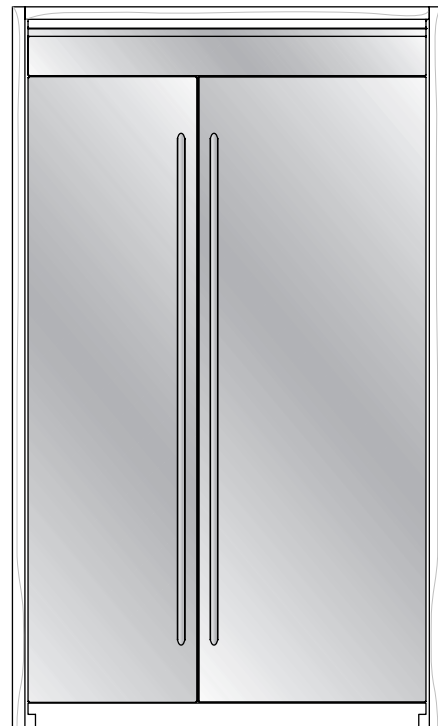


## Diseño Euro-Style de acero inoxidable

Equipado con puertas con cobertura de acero inoxidable y manijas tipo toallero, diseñadas para complementar los electrodomésticos de cocina Jenn-Air Euro kitchen suite o para realzar la decoración de cualquier cocina.

**Números de modelos base:** JS42NXFXDW, JS48NXFXDW

**Números de modelos del juego:** JPK42SNXWES, JPK48SNXWES

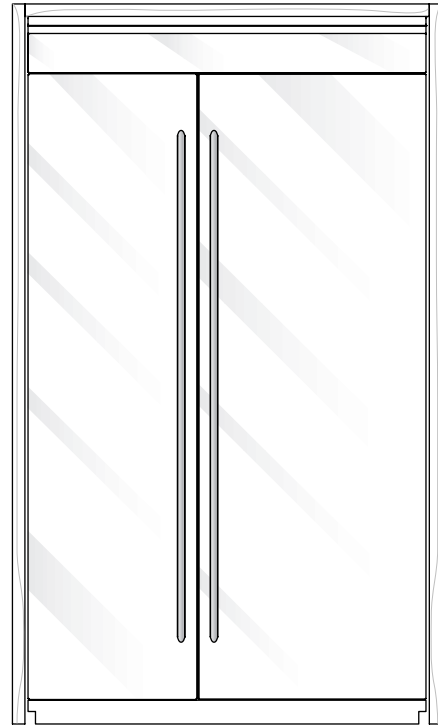


## Diseño clásico Euro-Style

Equipado con puertas de cobertura de acero inoxidable y nuevas manijas Euro-Style, para realzar la apariencia de la cocina tradicional de acero inoxidable.

**Números de modelos base:** JS42NXFXDW, JS48NXFXDW00

**Números de modelos del juego:** JPKSNXWSS, JPK48SNXWSS



#### Diseño en bronce lubricado

Equipado con trazos de cobre que se integran a la perfección en su cocina, mientras las manijas ligeramente curvadas haciendo juego realzan la forma expresiva del refrigerador.

**Números de modelos base:** JS42NXFXDW, JS48NXFXDW00

**Números de modelos del juego:** JPKSNXWSR, JPK48SNXWSR

#### Diseño de vidrio flotante

Paneles clásicos de vidrio de color negro o blanco, que parecen flotar en el lugar, con manijas ligeramente curvas de colores haciendo juego, que complementarán su cocina contemporánea.

**Números de modelos base:** JS42NXFXDW, JS48NXFXDW00

**Números de modelos del juego:**

**Vidrio negro** - JPK42SNXWSY, JPK48SNXWSY

**Vidrio blanco** - JPK42SNXWSF, JPK48SNXWSF

## Accesorios

Todas las piezas de fábrica están disponibles a través de su distribuidor de Jenn-Air o llamando a Jenn-Air al **1-800-JENNAIR (1-800-536-6247)**. En Canadá, llame al **1-800-807-6777**.

#### Juegos de manijas para puertas

Pueden pedirse estos juegos de manija para usarse sobre paneles recubiertos de madera a la medida. Siga las instrucciones del juego para la instalación de las manijas de las puertas.

**Diseño Pro-Style® de acero inoxidable** - W10250643

**Diseño Euro-Style de acero inoxidable** - W10250637

**Euro-Style clásico** - W10250640

#### Juego de panel para la puerta estilo armario

**Siga las instrucciones del juego para la instalación.**

**Modelo de 42"** - W10292393

**Modelo de 48"** - W10292394

# REQUISITOS DE INSTALACIÓN

## Piezas y herramientas

#### IMPORTANTE:

- Instalador: Deje las Instrucciones de instalación con el propietario.
- Propietario: Conserve las Instrucciones de instalación para referencia futura. Guarde estas Instrucciones de instalación para tenerlas a disposición del inspector de electricidad local.

#### HERRAMIENTAS NECESARIAS:

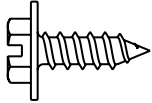


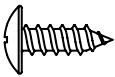
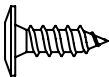
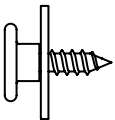
Reúna las herramientas y piezas necesarias antes de comenzar la instalación. Lea y siga las instrucciones provistas con cualquiera de las herramientas enlistadas aquí.

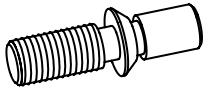
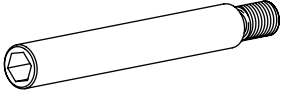
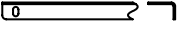
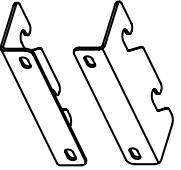
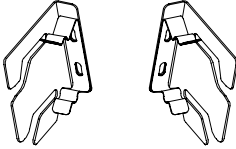
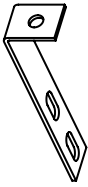


- Taladro inalámbrico
- Brocas
- Dos llaves ajustables
- Destornillador Phillips
- Nivel pequeño
- Llave hexagonal de  $\frac{3}{32}$ " (sólo para los juegos de paneles)
- Aprietatuercas de  $\frac{1}{32}$ "
- Llaves de boca de  $\frac{3}{8}$ " y  $\frac{1}{2}$ "
- Llave hexagonal de  $\frac{5}{32}$ " y  $\frac{3}{16}$ "
- Llaves de cubo de  $\frac{1}{4}$ " y  $\frac{5}{16}$ "
- Cinta para medir
- Cuchillo para uso general
- Cinta adhesiva (para pintores)
- Plataforma rodante para electrodomésticos

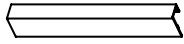
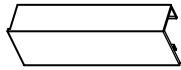


**PIEZAS NECESARIAS:**

- 6 tornillos de madera #8 x 3" (7,6 cm) (pudieran necesitarse tornillos más largos)
- Uno o dos tableros de madera de 2" x 4" x 32" (5 cm x 10 cm x 81 cm)
- Paneles de madera recubiertos a la medida - Consulte con un fabricante de armarios o carpintero calificado para hacer los paneles de madera a la medida. Vea "Paneles de madera recubiertos a la medida" para obtener más información.  
Juegos de paneles - Vea "Modelos de 36" o de 42" de dos puertas con congelador en la parte inferior" para obtener información acerca del juego de paneles.
- Tubería de suministro de agua flexible aprobada por los códigos, una férula, una unión y un accesorio de compresión de 1/4" (6,35 mm).

**PIEZAS PROVISTAS:**

 <p>Tornillo de cabeza ranurada hexagonal</p> <p><b>W10141645</b> (21)</p>	 <p>Tornillo puntiagudo de cabeza hexagonal</p> <p><b>W10141189</b> (4)</p>
 <p>Tornillo de cabeza hexagonal romo</p> <p><b>W10142233</b> (4)</p>	 <p>Tornillo de cabeza redonda</p> <p><b>1163283</b> (24)</p>
 <p>Tornillo Phillips de cabeza plana</p> <p><b>8281251</b> (28)</p>	 <p>Perno del panel de la puerta</p> <p><b>W10129563</b></p>

 <p>Pasador de ajuste de la puerta</p> <p><b>W10234194</b></p>	 <p>Pasador del tope de la puerta</p> <p><b>W10234202</b></p>
 <p>Soporte del panel del cajón</p> <p><b>W10203457</b></p>	 <p>Soporte estándar de rejilla</p> <p><b>W10182743</b> - Izquierdo <b>W10182741</b> - Derecho</p>
 <p>Soporte incorporado de rejilla</p> <p><b>W10260890</b> - Izquierdo <b>W10260891</b> - Derecho</p>	 <p>Soporte en "L" del tablero de relleno</p> <p><b>W10234199</b></p>
 <p>Soporte superior del panel</p> <p><b>W10192849</b></p>	 <p>Moldura inferior de la rejilla superior</p> <p><b>W10250961</b> - 36" Congelador en la parte inferior <b>W10250962</b> - 42" Congelador en la parte inferior, Dos puertas <b>W10250963</b> - 48" Dos puertas</p>

 <p>Cubierta de bisagra-compartimiento del refrigerador</p> <p><b>W10199873</b> - 42" Dos puertas  <b>W10199875</b> - 48" Dos puertas  <b>W10202875</b> - 36" Congelador en la parte inferior (Derecho)  <b>W10202510</b> - 42" Dos puertas, congelador en la parte inferior (Derecho)</p>	 <p>Cubierta de bisagra-compartimiento del congelador</p> <p><b>W10199886</b> - 42" Dos puertas  <b>W10199888</b> - 48" Dos puertas  <b>W10202877</b> - 36" Congelador en la parte inferior (Izquierdo)  <b>W10202511</b> - 42" Dos puertas, congelador en la parte inferior (Izquierdo)</p>
<p>Plantillas de los paneles</p> <p><b>W10222280</b> - Dos puertas  <b>W10222278</b> - Congelador en la parte inferior  <b>W10222282</b> - Rejilla</p>	 <p>Cubierta de la puerta del lado de la manija</p> <p><b>W10167367</b> - Dos puertas  <b>W10188556</b> - Congelador en la parte inferior (Izquierdo)  <b>W10202604</b> - Congelador en la parte inferior (Derecho)  <b>W10202478</b> - Dos puertas, congelador en la parte inferior (Derecho)  <b>W10202480</b> - Dos puertas, congelador en la parte inferior (Izquierdo)</p>
 <p>Bloque de instalación</p> <p><b>W10234156</b></p>	

## Requisitos de ubicación

### ⚠ ADVERTENCIA



#### Peligro de Explosión

**Mantenga los materiales y vapores inflamables, tales como gasolina, alejados del refrigerador.**

**No seguir esta instrucción puede ocasionar la muerte, explosión, o incendio.**

#### IMPORTANTE:

- Observe todos los códigos y reglamentos aplicables.
- No se recomienda instalar el refrigerador cerca de un horno, radiador u otra fuente de calor.
- No instale en un lugar donde la temperatura puede ser menor de 55°F (13°C).
- El piso debe soportar el peso del refrigerador: más de 600 lb (272 kg), paneles de puerta y contenido del refrigerador.
- La altura del techo deberá permitir que haya un arco de vuelco lateral. Vea "Arco de vuelco".
- La ubicación debe permitir que la puerta se abra totalmente. Vea "Medidas de oscilación de las puertas".
- La ubicación debe permitir que se quite la rejilla superior. Vea "Medidas de la abertura".

#### Medidas de la abertura

- El ancho de la abertura de lado a lado, deberá ser el especificado para su modelo, por lo menos a una distancia de 2" (5,08 cm) hacia atrás desde la cara del armario.

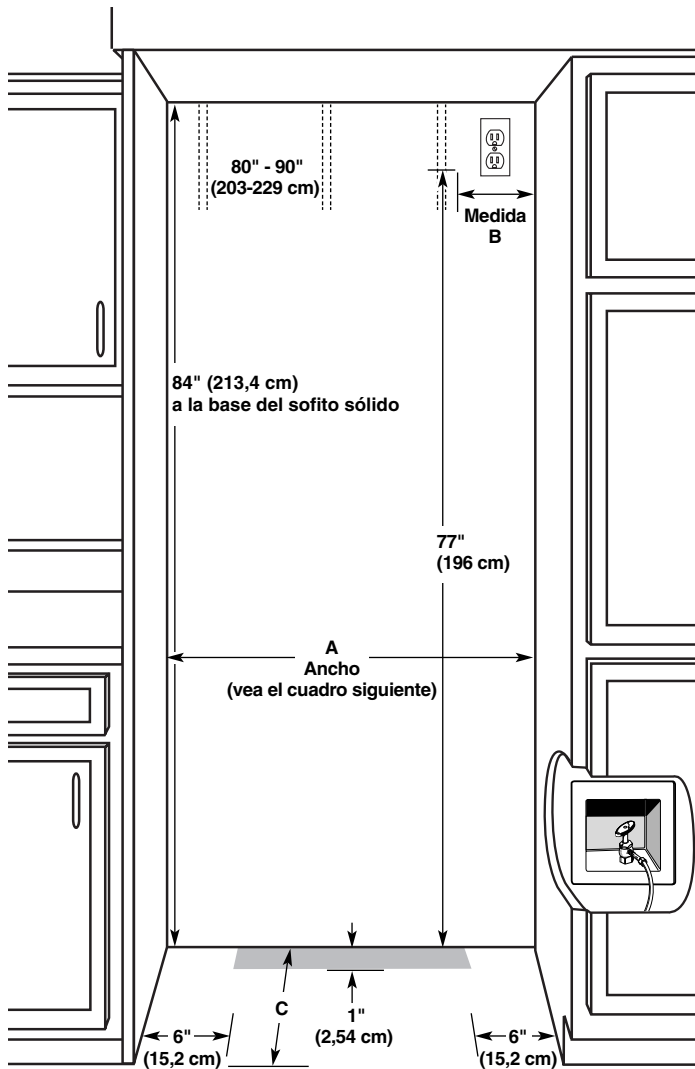
**NOTA:** Si la abertura no cumple con este requisito, deberá hacer modificaciones.

- Deberá instalarse un soffito sólido o armario de pared 84" (213,4 cm) por encima del piso. Si el soffito sólido está a una altura de más de 84" (213,4 cm) o no hay ninguno disponible, el refrigerador deberá tener un soporte.

Si se necesitan tableros anti-vuelco, deberán estar sujetos a los pies derechos de la pared posterior, de modo que haya una distancia de 84" (213,4 cm) desde la base del tablero anti-vuelco hasta el piso. Vea "Cómo instalar los tableros anti-vuelco" para obtener más información.

- Para una instalación completamente incorporada, se necesitará un espacio abierto mínimo de 6" (15,24 cm) por encima del refrigerador. Vea "Instalación completamente incorporada". Se necesitarán tableros anti-vuelco. Vea "Cómo instalar los tableros anti-vuelco" para obtener más información.
- Un contacto de tres terminales con conexión a tierra debe estar ubicado dentro de una medida específica de pulgadas desde los armarios del lado derecho o del panel del extremo. Consulte la tabla que sigue a la ilustración para ver la medida en pulgadas necesaria para su modelo. Para obtener más información, vea "Requisitos eléctricos".

- El cierre del agua deberá estar localizado en el armario base, a cualquier lado del refrigerador o en algún otro lugar de fácil acceso. Si la válvula de cierre del agua no está en los armarios, la tubería para la línea del agua puede llegar a través del piso. Vea "Requisitos del suministro de agua" para obtener más información.



Modelo	Ancho A (como se muestra anteriormente)	Medida B (como se muestra anteriormente)
42	42" (106,7 cm)	10" (25,4 cm)
48	48" (121,9 cm)	16" (40,6 cm)

Tipo de instalación	Profundidad C (como se muestra anteriormente)
Alineamiento estándar (instalación nueva)	25" (63,5 cm) como mínimo
Instalaciones para adiciones posteriores	24" (60,9 cm) como mínimo

#### IMPORTANTE:

- El ancho de la abertura (Ancho A) deberá ser el especificado para su modelo, por lo menos a una distancia de 2" (5,08 cm) hacia atrás desde la cara del armario.

**NOTA:** Si la abertura no cumple con este requisito, deberá hacer modificaciones.

- El piso que está debajo del refrigerador deberá estar al mismo nivel que la habitación. El frente de los armarios debe estar a plomo.

### Requisitos eléctricos

## ⚠ ADVERTENCIA



#### Peligro de Choque Eléctrico

**Conecte a un contacto de pared de conexión a tierra de 3 terminales.**

**No quite la terminal de conexión a tierra.**

**No use un adaptador.**

**No use un cable eléctrico de extensión.**

**No seguir estas instrucciones puede ocasionar la muerte, incendio o choque eléctrico.**

Antes de mover el refrigerador a su posición definitiva, es importante asegurarse que Ud. tiene la conexión eléctrica adecuada.

#### Método de conexión a tierra recomendado

Se requiere una fuente de energía eléctrica de 115 Voltios, 60 Hz., CA solamente y con fusibles de 15 ó 20 amp, debidamente conectada a tierra. Se recomienda que se use un circuito separado sólo para su refrigerador. Use un tomacorriente que no se puede apagar con un interruptor. No use un cable eléctrico de extensión.

**IMPORTANTE:** Si este producto está conectado a un tomacorriente protegido por un interruptor del circuito de falla eléctrica de puesta a tierra (GFCI - Ground Fault Circuit Interrupter), puede ocurrir un disparo brusco del suministro de corriente, lo que resultará en una pérdida de enfriamiento. Esto puede afectar la calidad y el sabor de los alimentos. Si ha ocurrido un disparo brusco, y el alimento aparenta estar en malas condiciones, deshágase del mismo.

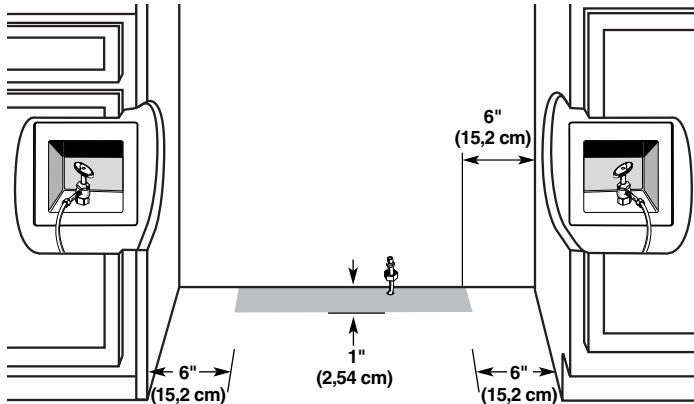
**NOTA:** Antes de realizar cualquier tipo de instalación, limpieza o quitar un foco, quite la rejilla superior y ponga el interruptor principal de energía en la posición OFF (Apagado) o desconecte el suministro de energía eléctrica en la caja de disyuntores.

Cuando haya terminado, ENCIENDA el interruptor principal de energía o reconecte el suministro de energía en la caja de disyuntores. Luego vuelva a ajustar el control en la posición deseada.

## Requisitos del suministro de agua

- Todas las instalaciones deben hacerse de acuerdo a los requerimientos locales de plomería.
- La línea de suministro de agua deberá pasar a través del piso, en el área sombreada de gris, como se muestra.
- El cierre del agua deberá estar localizado en el armario inferior, a cualquier lado del refrigerador o en algún otro lugar de fácil acceso. Recomendamos el lado derecho.

**NOTA:** No habrá espacio suficiente para lograr una instalación alineada si la válvula de cierre de agua está ubicada en la pared que está detrás del refrigerador.



- Deberá taladrarse un orificio de  $\frac{1}{2}$ " (12,7 mm) para la plomería a por lo menos 6" (15,2 cm) del lado derecho o izquierdo del armario o panel. En el piso, el orificio no debe estar a más de 1" (2,54 cm) de la pared trasera. Vea "Conexión del suministro de agua".
- Si necesita tubería adicional, use tuberías de cobre y revise si hay fugas. Instale la tubería de cobre sólo en áreas donde la temperatura vaya a permanecer por encima del punto de congelación.
- No use una válvula perforadora o una válvula de montura de  $\frac{3}{16}$ " (4,76 mm) que reduce el flujo de agua y se obstruye con más facilidad.

**NOTA:** El distribuidor de su refrigerador tiene disponible un juego con una válvula de cierre tipo montura de  $\frac{1}{4}$ " (6,35 mm), una unión y tubería de cobre. Antes de comprar, asegúrese que la válvula tipo montura cumpla con los códigos de plomería de su localidad.

## Presión del agua

Se necesita un suministro de agua fría con presión de agua entre 30 y 120 lbs/pulg<sup>2</sup> (207 y 827 kPa) para hacer funcionar el despachador de agua y la fábrica de hielo. Si usted tiene preguntas acerca de la presión de agua, llame a un plomero competente autorizado.

### Suministro de agua de ósmosis inversa

**IMPORTANTE:** La presión del suministro de agua que sale de un sistema de ósmosis inversa y va a la válvula de entrada de agua del refrigerador necesitará ser entre 30 y 120 lbs/pulg<sup>2</sup> (207 y 827 kPa).

Si se conecta un sistema de filtración de agua de ósmosis inversa al suministro de agua fría, la presión de agua al sistema de ósmosis inversa necesitará ser de un mínimo de 40 a 60 lbs/pulg<sup>2</sup> (276 a 414 kPa).

Si la presión del agua al sistema de ósmosis inversa es menor de 40 a 60 lbs/pulg<sup>2</sup> (276 a 414 kPa):

- Fíjese si el filtro de sedimentos en el sistema de ósmosis inversa está bloqueado y reemplácelo si fuera necesario.
- Deje que se vuelva a llenar el tanque de almacenaje del sistema de ósmosis inversa después del uso intenso.
- Si su refrigerador tiene un filtro de agua, se podrá reducir la presión aún más si se usa en conjunto con un sistema de ósmosis inversa. Quite el cartucho del filtro de agua.

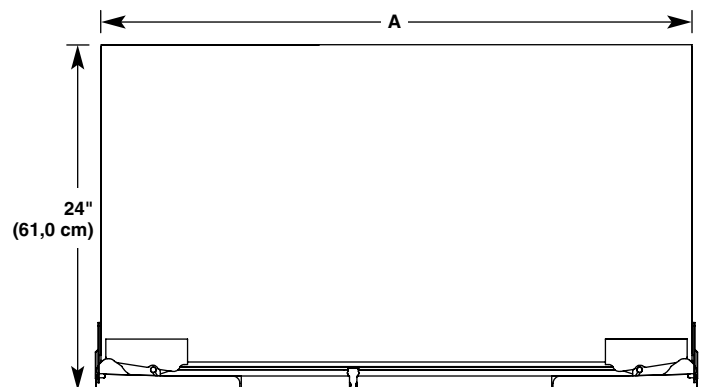
Si tiene preguntas acerca de la presión del agua, llame a un plomero competente autorizado.

## Medidas del producto

### IMPORTANTE:

- La profundidad desde la cara frontal de las puertas hasta la parte posterior de la carcasa del refrigerador es de 24" (60,96 cm) sin paneles.
- El cable de suministro de energía es de 84" (213 cm) de largo.
- La línea de suministro de agua está ubicada en el frente del refrigerador.

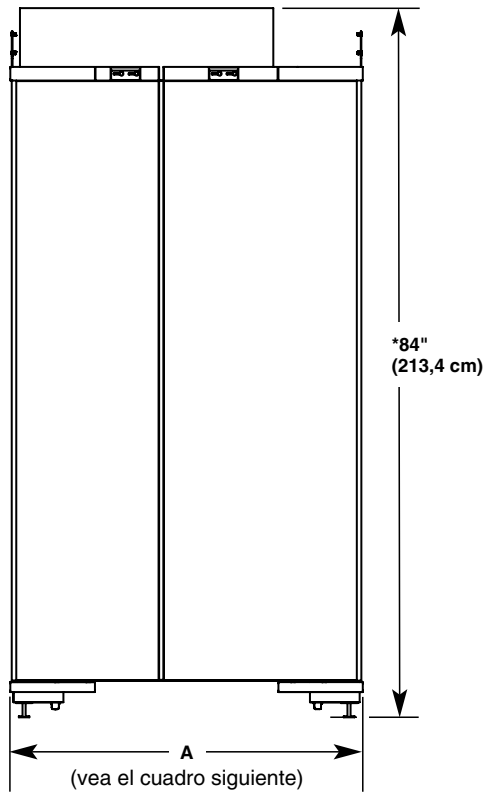
### Vista superior



Modelo	A
42	41 $\frac{3}{4}$ " (106 cm)
48	47 $\frac{3}{4}$ " (121,3 cm)

## Vista frontal

- Las medidas del ancho fueron tomadas de una bisagra a la otra.



Modelo	Ancho A (del borde de una bisagra al borde de la otra)
42	41 $\frac{3}{4}$ " (106 cm)
48	47 $\frac{3}{4}$ " (121,3 cm)

## Arco de vuelco

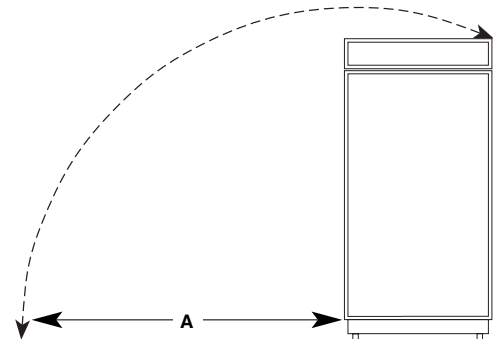
Asegúrese que dispone de suficiente altura al techo para poner el refrigerador en posición vertical cuando lo mueva a su ubicación final.

- Si se utiliza una plataforma rodante, se debe agregar la altura de sus ruedas al arco de vuelco.
- Si desea, puede reducir el arco de vuelco. Vea la sección "Cómo reducir el arco de vuelco".

### Arco de vuelco lateral

El arco de vuelco lateral varía dependiendo del ancho del modelo. Use el cuadro siguiente para determinar el arco de vuelco lateral.

**NOTA:** Se vuelca sólo de costado.

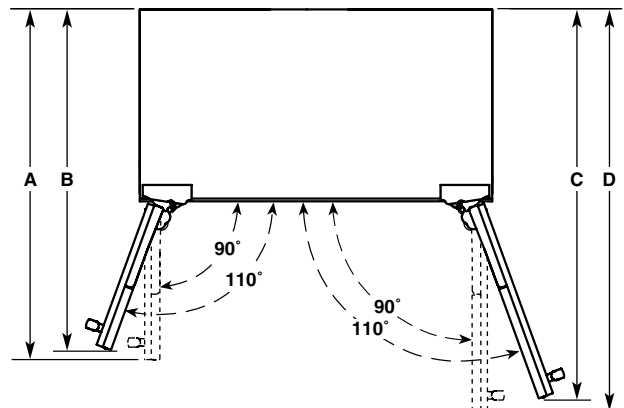


Modelo	Arco de vuelco A
42	91 $\frac{3}{8}$ " (232,1 cm)
48	94 $\frac{3}{8}$ " (239,7 cm)

## Medidas de oscilación de las puertas

La ubicación debe permitir que las puertas se abran a un mínimo de 90°. Deje un espacio mínimo de 4 $\frac{1}{2}$ " (11,4 cm) entre el lado del refrigerador y una pared de la esquina.

**NOTA:** Es posible que necesite más espacio si va a utilizar paneles recubiertos, manijas a la medida o manijas extendidas.



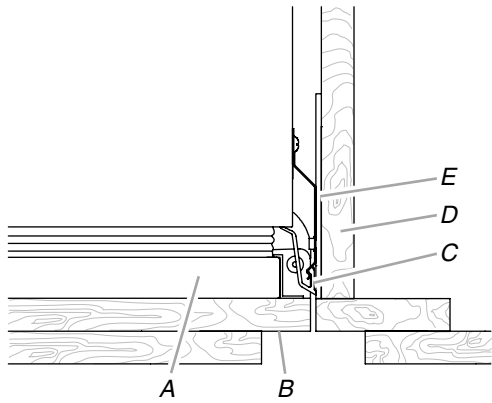
Modelo	A	B	C	D
42	40 $\frac{3}{4}$ " (103,5 cm)	39 $\frac{3}{4}$ " (101,0 cm)	45 $\frac{3}{8}$ " (115,3 cm)	46 $\frac{3}{4}$ " (118,8 cm)
48	43 $\frac{1}{4}$ " (109,9 cm)	42" (106,7 cm)	48 $\frac{5}{8}$ " (123,5 cm)	50 $\frac{1}{4}$ " (127,6 cm)



## Opciones para la instalación del armario y los paneles

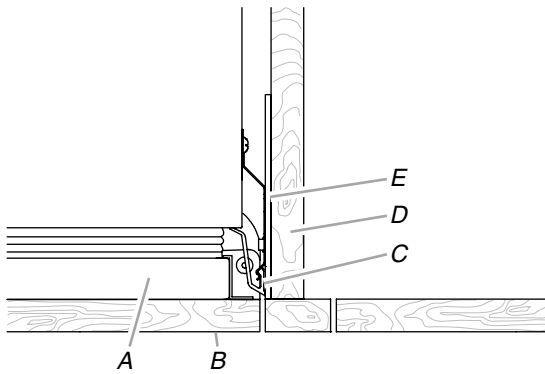
### Profundidad del armario - 25" (63,5 cm)

#### Armarios con marcos Vista superior



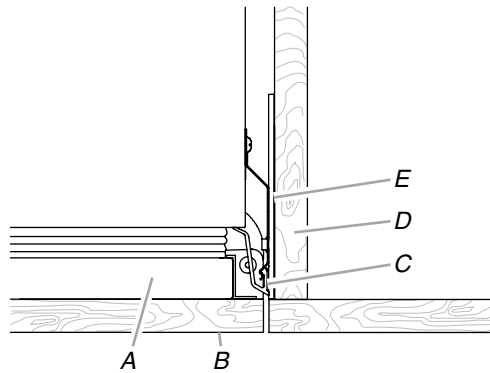
- A. Puerta del refrigerador  
B. Panel recubierto  
C. Moldura lateral  
D. Armario adyacente  
E. Soporte de la rejilla

#### Vista superior - Recuadro



- A. Puerta del refrigerador  
B. Panel recubierto  
C. Moldura lateral  
D. Armario adyacente  
E. Soporte de la rejilla

#### Armarios sin marco

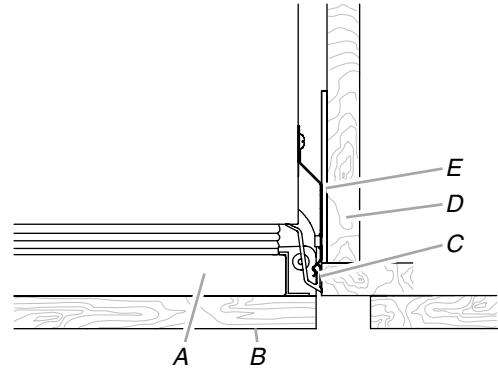


- A. Puerta del refrigerador  
B. Panel recubierto  
C. Moldura lateral  
D. Armario adyacente  
E. Soporte de la rejilla

### Profundidad del armario - 24" (60,9 cm)

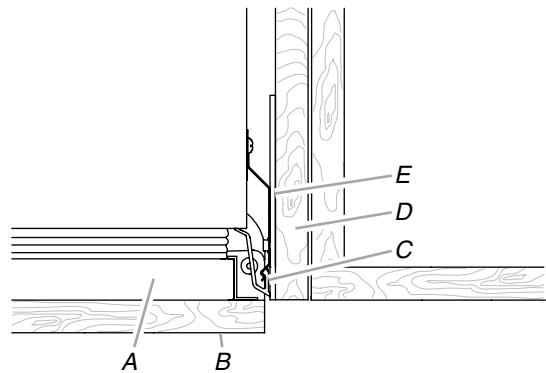
**NOTA:** No es posible hacer una instalación alineada con una abertura de una profundidad de 24" (60,9 cm).

#### Armarios con marcos Vista superior



- A. Puerta del refrigerador  
B. Panel recubierto  
C. Moldura lateral  
D. Armario adyacente  
E. Soporte de la rejilla

#### Armarios sin marco Vista superior



- A. Puerta del refrigerador  
B. Panel recubierto  
C. Moldura lateral  
D. Armario adyacente  
E. Soporte de la rejilla

## Requisitos para la instalación completamente incorporada

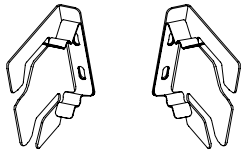
El refrigerador puede instalarse completamente incorporado si los armarios adyacentes cumplen con los requisitos de ventilación y flujo de aire, críticos para el funcionamiento del mismo.

### IMPORTANTE:

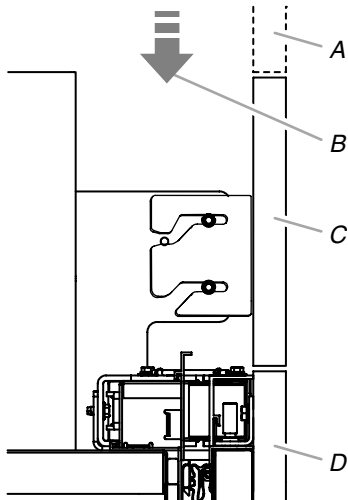
- Tanto las instalaciones estándar como las instalaciones incorporadas por completo pueden lograrse con una abertura de una profundidad de 24" (60,9 cm) ó 25" (63,5 cm).
- Se usará una rejilla de altura completa para lograr una instalación completamente incorporada. Use el soporte incorporado (provisto con el refrigerador) para fijar la rejilla de altura completa.

**NOTA:** No se necesitará una cubierta para la rejilla superior con la rejilla de altura completa.

### Soporte incorporado de la rejilla



### Instalación completamente incorporada - Vista lateral



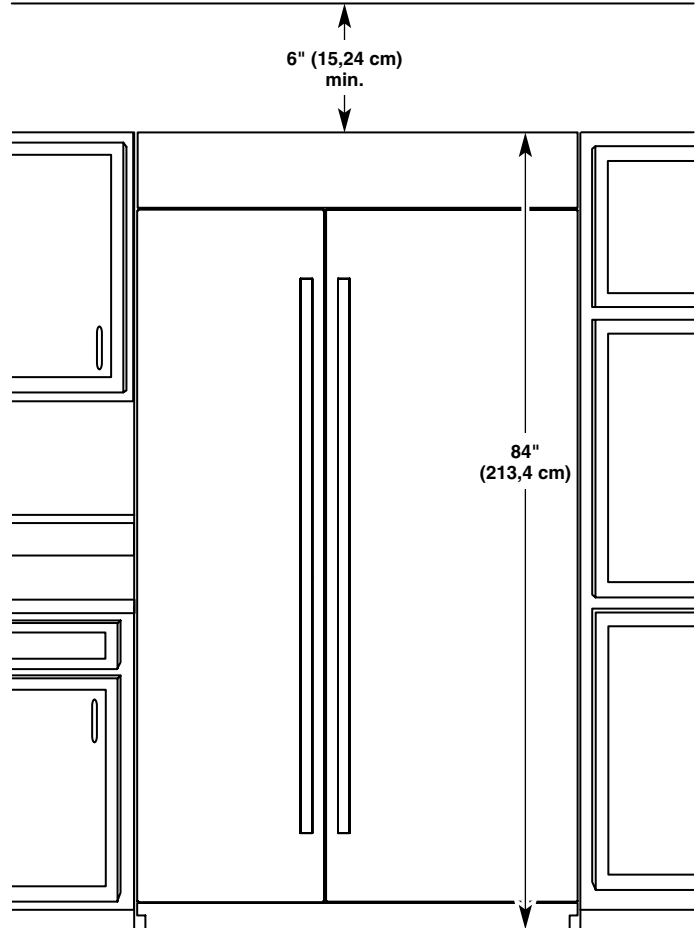
A. Frente falso (opcional)  
B. Flujo de aire

C. Rejilla de altura completa  
D. Panel de la puerta

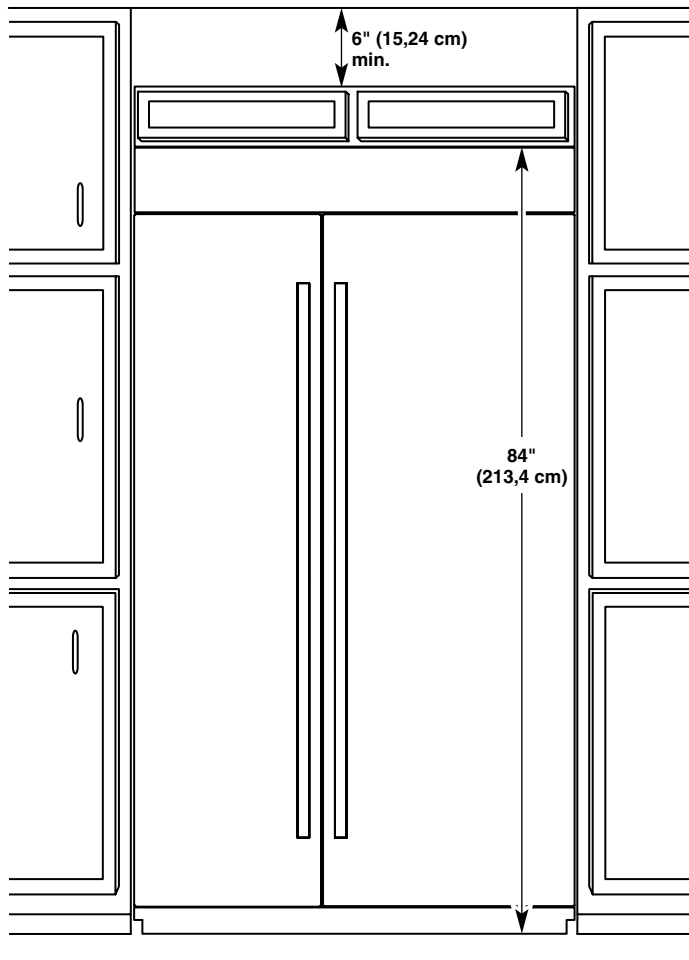
### Requisitos de flujo de aire y ventilación

Para las instalaciones completamente incorporadas, se necesitará un espacio abierto mínimo de 6" (15,24 cm) por encima del refrigerador. El espacio no deberá estar obstruido de ninguna manera, incluyendo los soffits.

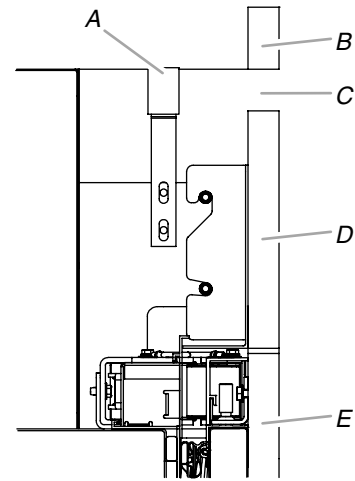
#### Opción 1 - Abierto hacia el techo



## Opción 2 - Frente falso (solamente la cara del armario)

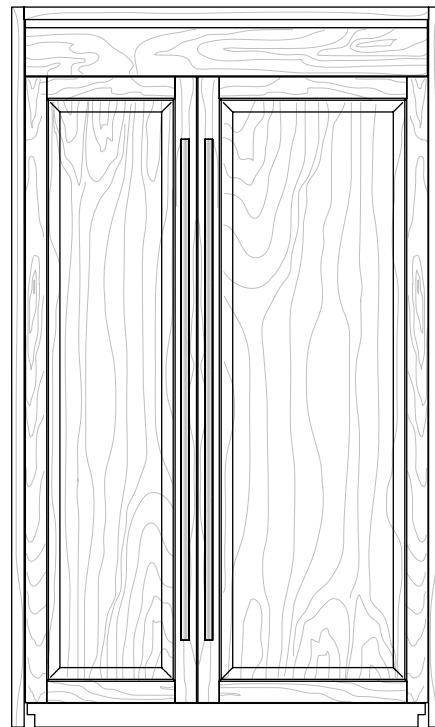


## Instalación estándar - Vista lateral



- A. Cubierta de la rejilla superior
- B. Sofito
- C. Flujo de aire
- D. Panel de la rejilla
- E. Panel de la puerta

## Instalación estándar - Vista completa del producto

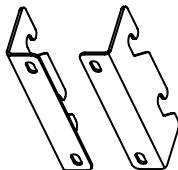


## Instalación estándar - Requisitos del panel de madera

### IMPORTANTE:

- La instalación estándar puede lograrse con una abertura de una profundidad de 24" (60,9 cm) o 25" (63,5 cm).
- Se usa una rejilla estándar para lograr una instalación estándar. Use el soporte de la rejilla estándar (provisto con el refrigerador) para sujetar la rejilla estándar.
- La altura del panel de la rejilla, que se muestra en la ilustración de la Rejilla alineada - Instalación estándar, permite un espacio de aire que es crítico para el funcionamiento del refrigerador.

### Soporte estándar de rejilla



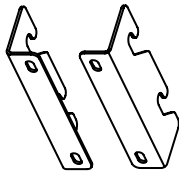
## Requisitos de instalación del juego de paneles

Consulte la sección "Modelos" para ver las opciones disponibles del juego de paneles para su modelo.

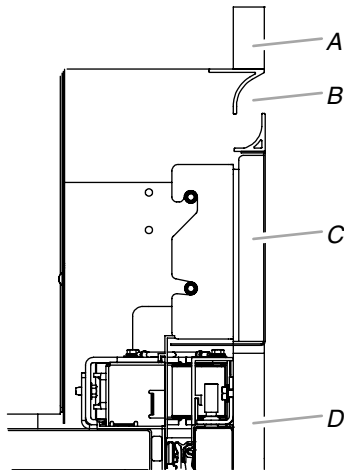
### IMPORTANTE:

- La instalación de un juego de paneles puede lograrse con una abertura de una profundidad de 24" (60,9 cm) o 25" (63,5 cm).
- Se usa una rejilla estándar para lograr la instalación del juego de paneles. Use el soporte de la rejilla estándar (provisto con el refrigerador) para sujetar la rejilla estándar.
- La altura del panel de la rejilla, que se muestra en la ilustración de la Rejilla alineada - Instalación estándar, permite un espacio de aire que es crítico para el funcionamiento del refrigerador.

### Soporte estándar de rejilla

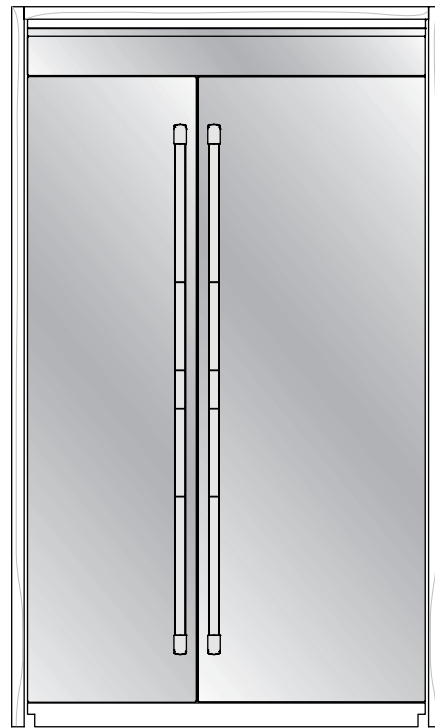


### Instalación del juego de paneles – Vista lateral



A. Sofito  
B. Flujo de aire  
C. Panel de la rejilla  
D. Panel de la puerta

### Instalación del juego de paneles – Vista completa del producto



## Paneles de madera recubiertos a la medida

Los paneles de madera recubiertos a la medida le permiten armonizar el exterior de su refrigerador con la decoración de la cocina y usar las manijas a la medida para mayor flexibilidad en el diseño.

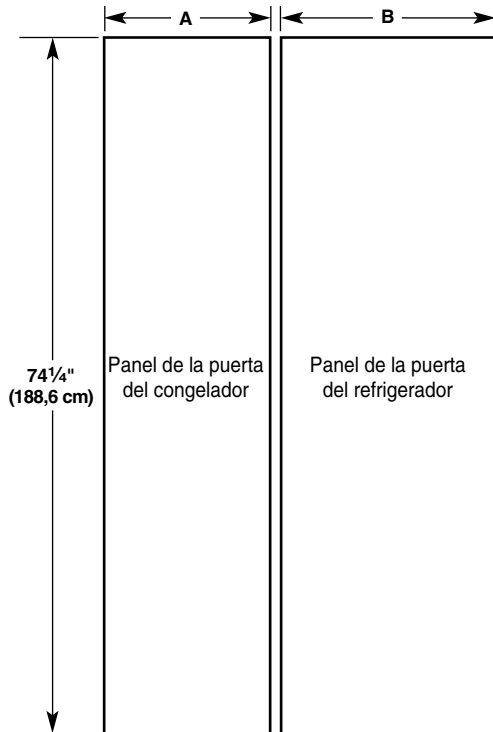
En algunos casos, su fabricante de armarios puede elegir trabajar con un panel trazado para las diferentes medidas. Siga estas medidas de panel e instrucciones de instalación para asegurarse de que los paneles de madera recubiertos a la medida encajarán adecuadamente.

### IMPORTANTE:

- El peso del panel recubierto de la puerta del refrigerador no podrá exceder las 66 lb (29,9 kg) para los modelos de 48" ó 65 lb (29,5 kg) para los modelos de 42".
- El peso del panel de madera recubierto de la puerta del congelador no podrá exceder las 50 lb (23 kg) para los modelos de 48" ó 49 lb (22,2 kg) para los modelos de 42".
- El peso del panel recubierto de la rejilla superior no podrá exceder las 8 lb (3,6 kg) para los modelos de 48" ó 7 lb (3,2 kg) para los modelos de 42".
- El espesor necesario para todos los paneles es de 3/4" (1,91 cm).
- Esta instalación no requiere paneles de relleno ni de soporte.

## Dimensiones del panel de madera recubierto

### Paneles de la puerta



#### ⚠ CUIDADO

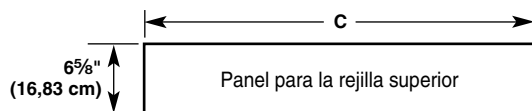
##### Peligro de pellizcos

Si se instalan los paneles de la puerta con un espacio menor de  $\frac{3}{8}$ " (0,95 cm) entre el panel de la puerta y el armario adyacente, aumentará el riesgo de pellizcos potenciales.

Modelo	42		48	
Mocheta	$\frac{3}{8}$ "	$\frac{1}{8}$ "	$\frac{3}{8}$ "	$\frac{1}{8}$ "
<b>A</b>	17 $\frac{9}{16}$ " (44,61 cm)	17 $\frac{3}{16}$ " (45,24 cm)	20 $\frac{1}{16}$ " (50,96 cm)	20 $\frac{5}{16}$ " (50,17 cm)
<b>B</b>	23 $\frac{9}{16}$ " (59,85 cm)	23 $\frac{3}{16}$ " (60,48 cm)	27 $\frac{1}{16}$ " (68,74 cm)	27 $\frac{5}{16}$ " (69,37 cm)

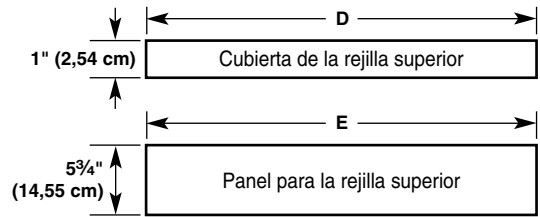
### Panel de la rejilla

#### Instalación incorporada - Rejilla de altura completa - Sofito abierto



Modelo	42		48	
Mocheta	$\frac{3}{8}$ "	$\frac{1}{8}$ "	$\frac{3}{8}$ "	$\frac{1}{8}$ "
<b>C</b>	41 $\frac{1}{4}$ " (104,76 cm)	41 $\frac{3}{4}$ " (106,05 cm)	47 $\frac{1}{4}$ " (120,02 cm)	47 $\frac{3}{4}$ " (121,29 cm)

#### Instalación estándar - Rejilla alineada - Sofito abierto o cerrado



Modelo	42		48	
Mocheta	$\frac{3}{8}$ "	$\frac{1}{8}$ "	$\frac{3}{8}$ "	$\frac{1}{8}$ "
<b>D</b>	41 $\frac{1}{4}$ " (104,76 cm)	41 $\frac{3}{4}$ " (106,05 cm)	47 $\frac{1}{4}$ " (120,02 cm)	47 $\frac{3}{4}$ " (121,29 cm)
<b>E</b>	41 $\frac{1}{4}$ " (104,76 cm)	41 $\frac{3}{4}$ " (106,05 cm)	47 $\frac{1}{4}$ " (120,02 cm)	47 $\frac{3}{4}$ " (121,29 cm)

**IMPORTANTE:** La altura del panel de la rejilla, que se muestra en la ilustración de la Instalación estándar - Rejilla alineada, permite un espacio de aire que es crítico para el funcionamiento del refrigerador.

## INSTRUCCIONES DE INSTALACIÓN

### Desempaque el refrigerador

## ⚠ ADVERTENCIA



#### Peligro de Vuelco

El refrigerador puede volcarse cuando está siendo instalado debido a que la parte superior es pesada.

Mantenga las puertas cerradas con cinta hasta que el refrigerador esté completamente instalado.

Use dos o más personas para mover e instalar el refrigerador.

No seguir estas instrucciones puede ocasionar la muerte o herida seria.

#### IMPORTANTE:

- No quite la película que cubre el refrigerador hasta que esté en su ubicación para el funcionamiento.
- Las cuatro patas niveladoras deberán hacer contacto con el piso para soportar y estabilizar el peso total del refrigerador.
- Mantenga la pieza de cartón de empaque o de madera contrachapada debajo del refrigerador hasta que lo instale en su ubicación para el funcionamiento.

1. Retire y guarde el material impreso y el juego de piezas ubicados en el interior del refrigerador. Retire y guarde el material impreso, la rejilla y la cubierta, que están pegados con cinta adhesiva en el exterior del refrigerador.

**NOTA:** No quite la cinta y los refuerzos de las puertas hasta que el refrigerador esté en su ubicación final.

## Cómo introducir el refrigerador en la casa

### ⚠️ ADVERTENCIA



#### Peligro de Vuelco

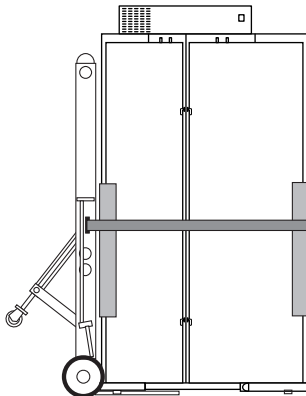
El refrigerador puede volcarse cuando está siendo instalado debido a que la parte superior es pesada.

Mantenga las puertas cerradas con cinta hasta que el refrigerador esté completamente instalado.

Use dos o más personas para mover e instalar el refrigerador.

No seguir estas instrucciones puede ocasionar la muerte o herida seria.

1. Coloque una plataforma rodante para electrodomésticos debajo del lado izquierdo del refrigerador, como se muestra. Coloque los esquinales de los materiales de empaque sobre las cubiertas, según sea necesario. Apriete el fleje lentamente.



2. Coloque unos tramos de cartón de embarque en el piso cuando haga rodar la plataforma rodante y el refrigerador al interior de la casa. Acerque el refrigerador a la abertura donde se va a empotrar.
3. Coloque la parte superior del empaque de cartón o madera contrachapada debajo del refrigerador.
4. Ponga el refrigerador de pie colocando primero el extremo inferior izquierdo en el suelo, luego enderece el refrigerador hasta que quede derecho y entonces baje el lado derecho del refrigerador al suelo.
5. Vuelva a ensamblar la moldura y la rejilla superior después de quitar la plataforma rodante del refrigerador.

## Cómo instalar los tableros antivuelco

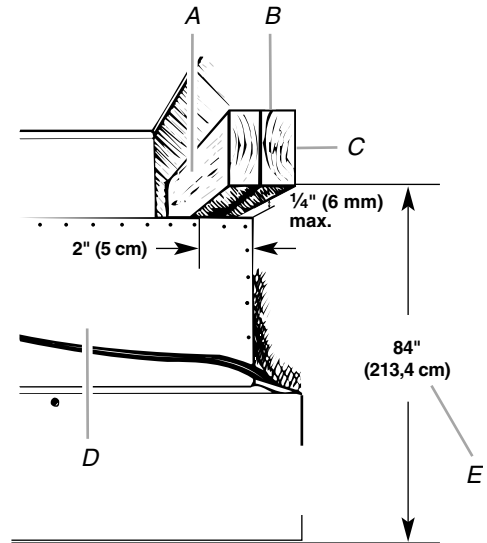
### IMPORTANTE:

- Si no hay disponible un soffito sólido, deberá instalarse el tablero anti-vuelco.
- Se recomienda que el (los) tablero(s) se instale(n) antes de la instalación del refrigerador.
- El (Los) tablero(s) deberá(n) ser lo suficientemente largo(s) para poder cubrir totalmente el ancho de la cubierta del compresor.

- Ubique el (los) tablero(s) de manera que la superficie inferior del (de los) tablero(s) esté a 84" (213 cm) del piso.
- Durante la instalación, levante el refrigerador hasta que la parte superior del mismo haga contacto con la parte inferior del (de los) tablero(s) antivuelco. No aplaste la cubierta del compresor al levantar las patas niveladoras traseras.

### Cómo instalar los tableros antivuelco

1. Señale las ubicaciones para los montantes en la pared trasera, de 80" a 90" (203 a 229 cm) por encima del piso.
2. Afiance con seguridad uno o dos de los tableros de 2" x 4" x 32" (5 cm x 10 cm x 81 cm) a los montantes de pared detrás del refrigerador. Use 6 tornillos para madera #8 x 3" (7,6 cm) (o más largos). Los tornillos para madera deberán atornillarse un mínimo de 1½" (3,8 cm) en los montantes. El (Los) tablero(s) debe(n) quedar superpuesto(s) encima de la cubierta del compresor.



A. Tablero central a ¼" (6,35 mm) máximo por encima del refrigerador

B. Dos tableros de 2" x 4" x 32" (5 cm x 10 cm x 81 cm)

C. Afiance a los montantes con 6 tornillos #8 x 3" (7,6 cm)

D. Cubierta del compresor

E. Distancia desde la parte inferior del tablero anti-vuelco hasta el piso

## Conexión del suministro de agua

Lea todas las instrucciones antes de comenzar.

**IMPORTANTE:** Si enciende el refrigerador antes de conectar la tubería de agua, APAGUE la fábrica de hielo.

### Conexión a la línea de agua

#### Piezas necesarias:

- Línea flexible de suministro de agua, con un mínimo de 7 pies (2,13 m), aprobada por los códigos

#### Estilo 1 - Conexión de la válvula de cierre

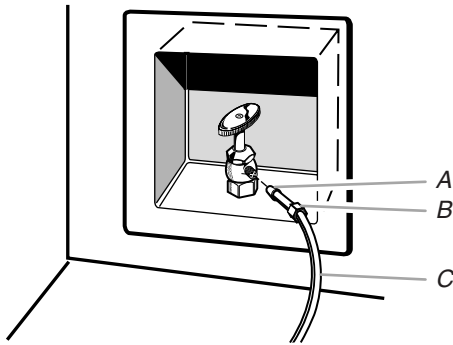
**NOTA:** Si la conexión de la tubería de agua de su casa no se parece al Estilo 1, vea "Estilo 2 - Conexión de la tubería de cobre".

1. Desenchufe el refrigerador o desconecte el suministro de energía.

**IMPORTANTE:** Antes de fijar la tubería a la válvula de cierre, enjuague la línea principal de suministro de agua para quitar las partículas y el aire de la tubería de agua. Deje correr bastante agua para que ésta se vea cristalina. El enjuagar la línea de agua puede ayudar a evitar que los filtros y/o las válvulas de agua se obstruyan.

- Conecte la línea flexible de suministro de agua aprobada por los códigos a la válvula de cierre de agua enroscando la tuerca provista sobre la válvula de cierre, como se muestra.

**NOTA:** La válvula de cierre mostrada está en el armario lateral, como se recomienda.



A. Bulbo  
B. Tuerca  
C. Tubería de agua

- Coloque el extremo de la tubería en un balde y ABRA la válvula de cierre.
- Revise si hay fugas. Apriete aquellas tuercas o conexiones que tengan fugas (incluidas las conexiones en la válvula).

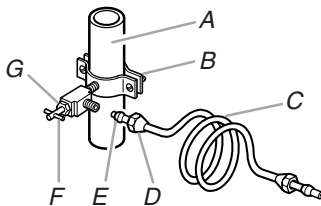
### Estilo 2 – Conexión de la tubería de cobre

**NOTA:** Si existe una línea de suministro de agua que cumpla con las especificaciones en "Requisitos del suministro de agua", proceda con "Conexión al refrigerador". Si no es así, siga las instrucciones a continuación para conectarla al suministro de agua fría de la casa.

- Desenchufe el refrigerador o desconecte el suministro de energía.
- CIERRE el suministro principal de agua. ABRA la llave de agua más cercana el tiempo suficiente para que la tubería de agua se vacíe.
- Busque una tubería vertical de agua fría de 1/2" a 1 1/4" (1,25 cm a 3,18 cm) cercana al refrigerador.

#### IMPORTANTE:

- Asegúrese de que sea una tubería de agua fría.
  - Una tubería horizontal funcionará, pero taladre por el lado de arriba de la tubería, no por debajo. Esto ayudará a mantener el agua alejada del taladro y también evita que se acumule sedimento normal en la válvula.
- Determine la longitud de la tubería de cobre que necesite. Mida desde la conexión de la parte baja trasera izquierda del refrigerador hasta la tubería de agua. Agregue 7 pies (2,1 m) para la limpieza. Use tubería de cobre de 1/4" (6,35 mm) de diámetro externo. Asegúrese que ambos extremos de la tubería de cobre están cortados rectos.
  - Usando un taladro inalámbrico, perfora un orificio de 1/4" (6,35 mm) en la tubería de agua fría que usted ha seleccionado.



A. Tubería de agua fría  
B. Abrazadera para tubería  
C. Tubería de cobre  
D. Tuerca de compresión  
E. Manga de compresión  
F. Válvula de cierre  
G. Tuerca de presión

- Afiance la válvula de cierre a la tubería de agua fría con la abrazadera para tubería. Asegúrese que el extremo de salida esté firmemente insertado en el orificio taladrado de 1/4" (6,35 mm) en la tubería de agua y que la arandela esté por debajo de la abrazadera para tubería. Apriete la tuerca de presión. Apriete los tornillos de la abrazadera para tubería lentamente y en forma pareja de manera que la arandela provea un cierre hermético. No apriete demasiado.

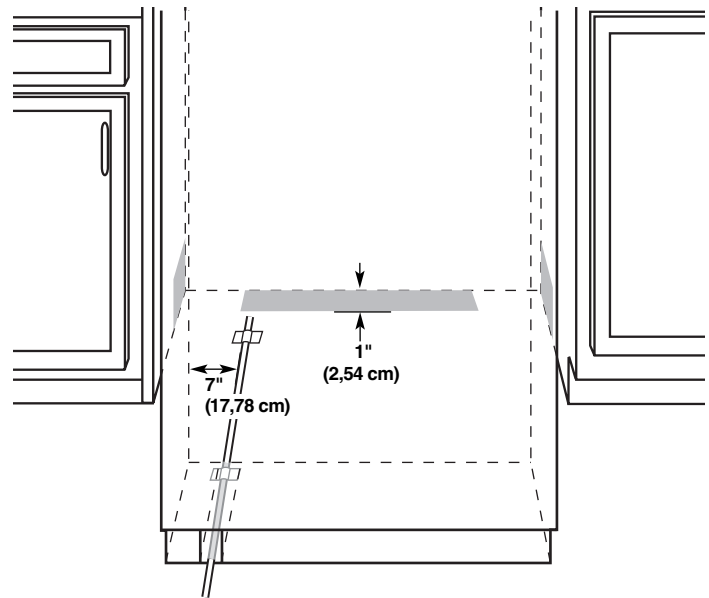
**IMPORTANTE:** Antes de fijar la tubería a la válvula de cierre, enjuague la línea principal de suministro de agua para quitar las partículas y el aire de la tubería de agua. Deje correr bastante agua para que ésta se vea cristalina. El enjuagar la tubería de agua puede ayudar a evitar que los filtros y/o las válvulas de agua se obstruyan.

- Deslice la manga de compresión y la tuerca de compresión sobre la tubería de cobre como se muestra. Inserte el extremo de la tubería en el extremo de salida en ángulo recto hasta donde sea posible. Atornille la tuerca de compresión en el extremo de salida usando la llave inglesa ajustable. No apriete demasiado la abrazadera o la manga. Se quebrará la tubería de cobre.
- Cierre la válvula de cierre del tubo de agua. Enrolle la tubería de cobre.
- Conecte la línea flexible de suministro de agua aprobada por los códigos a la válvula de cierre de agua enroscando la tuerca provista sobre la válvula de cierre.
- Coloque el extremo de la tubería en un balde y ABRA la válvula de cierre.
- Busque fugas alrededor de la válvula tipo montura. Apriete aquellas tuercas o conexiones que tengan fugas (incluidas las conexiones en la válvula).

### Conexión al refrigerador

#### Piezas suministradas:

- Acoplamiento macho y macho, de 1/4" a 1/4" (6,35 mm a 6,35 mm)



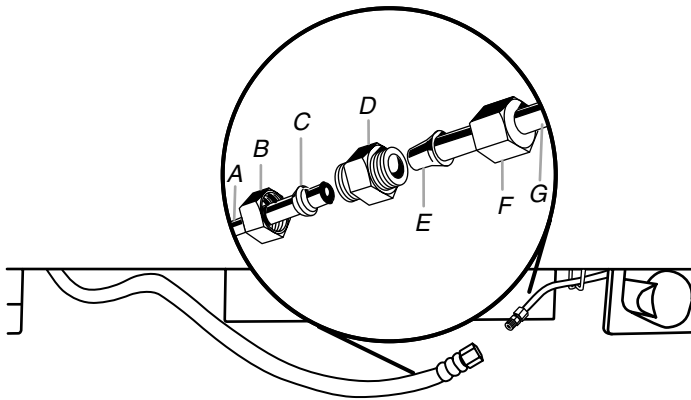
**NOTA:** La línea flexible de suministro de agua aprobada según los códigos puede conectarse a la válvula de suministro a través del piso o a través de los armarios laterales, según se indica en las cajas grises más arriba.

- Desenchufe el refrigerador o desconecte el suministro de energía.
- Conecte el tubo flexible de agua de 7 pies (2,13 m), aprobado según los códigos, a la válvula de suministro de agua.

3. Enjuague la línea principal de suministro de agua para quitar las partículas y el aire de la misma. Deje correr bastante agua para que ésta se vea cristalina.
4. Pegue con cinta al piso la línea flexible de suministro de agua de 7 pies (2,13 m) aprobada según los códigos, a 7" (17,78 cm) del lado izquierdo del refrigerador. Pegue con cinta a lo largo de la longitud de la tubería, lo que permitirá que ésta pase por debajo del refrigerador, sin hacer interferencia.
 

**NOTA:** Deje un mínimo de 26" (66,04 cm) de línea flexible de suministro de agua aprobada según los códigos para que quede floja en la parte frontal del refrigerador, para conectarla al mismo.
5. Conecte la línea flexible de suministro de agua de 7 pies (2,13 m), aprobada según los códigos, al refrigerador.
 

**NOTA:** Si la válvula principal de cierre de agua está detrás del refrigerador, puede instalarse una válvula secundaria de cierre de agua alineada con la línea de suministro de agua, al frente del producto.



- |                             |                                     |
|-----------------------------|-------------------------------------|
| A. Línea de agua de la casa | E. Bulbo                            |
| B. Tuerca (adquirida)       | F. Tuerca                           |
| C. Férula (adquirida)       | G. Tubería de agua del refrigerador |
| D. Acoplamiento             |                                     |

6. Abra la válvula de suministro de agua y verifique todas las conexiones para ver si hay fugas.

## Cómo enchufar el refrigerador

### ⚠ ADVERTENCIA



#### Peligro de Choque Eléctrico

Conecte a un contacto de pared de conexión a tierra de 3 terminales.

No quite la terminal de conexión a tierra.

No use un adaptador.

No use un cable eléctrico de extensión.

No seguir estas instrucciones puede ocasionar la muerte, incendio o choque eléctrico.

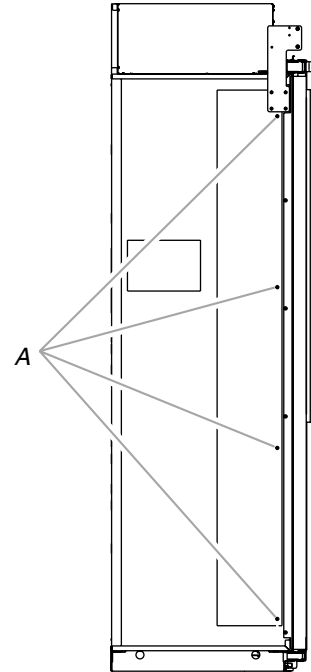
1. Coloque el interruptor de control en la parte superior del armario en la posición OFF (Apagado).
2. Conecte a un contacto de pared de conexión a tierra de 3 terminales.

## Instalación de las molduras laterales

Las molduras laterales cubren el espacio entre el refrigerador y los armarios adyacentes. Hay una pieza de la moldura adherida con cinta a cada lado del refrigerador. Instale cada pieza de la moldura al lado del refrigerador al cual está adherida.

1. Quite la cinta adhesiva que sujeta las molduras laterales a la refrigerador. Deje las piezas de la moldura a un lado.
 

**IMPORTANTE:** Para las instalaciones de paneles de madera a la medida con un espacio de  $\frac{1}{8}$ ", la sección de la pieza de la moldura con forma de bulbo va a interferir con los paneles. Trace cada pieza de la moldura en la base de la sección con forma de bulbo; quite y descarte esta sección. Consulte la ilustración Vista superior más adelante en esta sección.
2. Quite los cuatro tornillos del lado de la carcasa del refrigerador.

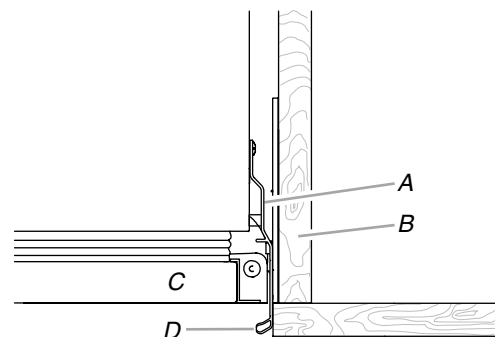


A. Tornillos de la moldura lateral

3. Usando los orificios originales y los tornillos que se quitaron en el Paso 2, sujete la moldura lateral a la carcasa del refrigerador.
 

**NOTA:** Cerciórese de asegurar cada pieza de la moldura al lado de la carcasa del refrigerador del cual se haya quitado. El bulbo deberá estar adelante con la muesca en la parte superior, como se muestra.

#### Vista superior



- A. Moldura lateral  
 B. Armario adyacente  
 C. Puerta  
 D. Sección en forma de bulbo



## Cómo mover el refrigerador a su ubicación final

### ⚠️ ADVERTENCIA



#### Peligro de Vuelco

El refrigerador puede volcarse cuando está siendo instalado debido a que la parte superior es pesada.

Mantenga las puertas cerradas con cinta hasta que el refrigerador esté completamente instalado.

Use dos o más personas para mover e instalar el refrigerador.

No seguir estas instrucciones puede ocasionar la muerte o herida seria.

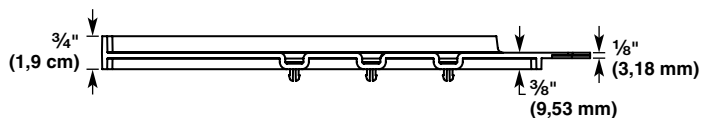
#### IMPORTANTE:

- Antes de mover el refrigerador y para evitar daños al piso, asegúrese que las patas niveladoras están levantadas (no están tocando el piso) y que el refrigerador se encuentra sobre los rodillos.
- Use el bloque de instalación, que está sujeto a la bisagra de la puerta, como referencia para asegurarse de que el refrigerador se empuje hacia atrás lo suficiente dentro de la abertura, de modo que cuando estén instalados los paneles, estarán alineados con los armarios adyacentes.

**NOTA:** No es posible hacer una instalación alineada con una abertura de una profundidad de 24" (60,9 cm).

- Después de que el refrigerador esté nivelado y alineado, retire el bloque de instalación de la bisagra de la puerta y úselo para revisar el espacio entre los paneles y los armarios adyacentes.

**NOTA:** El bloque de instalación ha sido diseñado para proveer un espacio adecuado para  $\frac{3}{4}$ " (1,9 cm),  $\frac{3}{8}$ " (9,53 mm) y  $\frac{1}{8}$ " (3,18 mm).

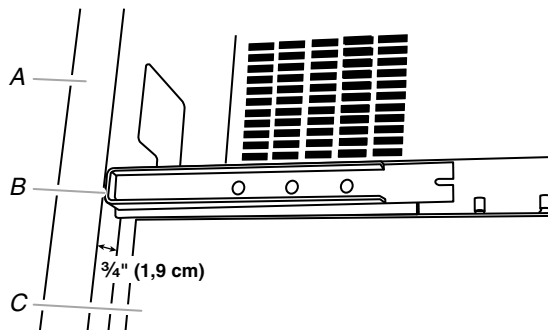


1. Coloque la parte superior del empaque de cartón o madera contrachapada debajo del refrigerador. Quite la plataforma rodante.
2. Empuje el refrigerador directamente hacia atrás y en forma pareja hacia el interior de la abertura. Asegúrese de que la tubería de agua no esté torcida y que el cable de suministro de energía esté encima del refrigerador.

**NOTA:** Si el cable de suministro de energía está detrás del refrigerador, no se instalará como es debido.

3. Cerciórese de que el bloque de instalación esté alineado con los armarios adyacentes.

**NOTA:** Para lograr una instalación alineada, será fundamental verificar que haya una profundidad de  $\frac{3}{4}$ " (1,9 cm) entre la cara frontal de los armarios adyacentes y el refrigerador.



- A. Armario o pared adyacente
- B. Bloque de instalación
- C. Cara del refrigerador

## Nivelación y alineamiento del refrigerador

### ⚠️ ADVERTENCIA



#### Peligro de Vuelco

El refrigerador puede volcarse cuando está siendo instalado debido a que la parte superior es pesada.

Mantenga las puertas cerradas con cinta hasta que el refrigerador esté completamente instalado.

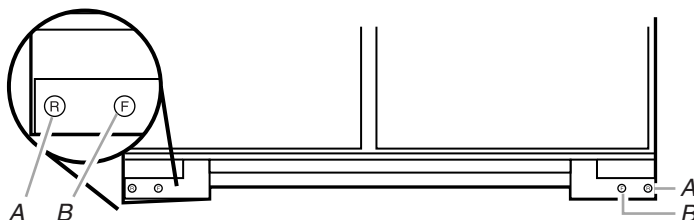
Use dos o más personas para mover e instalar el refrigerador.

No seguir estas instrucciones puede ocasionar la muerte o herida seria.

**IMPORTANTE:** Las cuatro patas niveladoras deberán hacer contacto con el piso para soportar y estabilizar el peso total del refrigerador. Los rodillos se usan para mover el refrigerador y nunca para un soporte permanente.

Después de mover el refrigerador a su ubicación final:

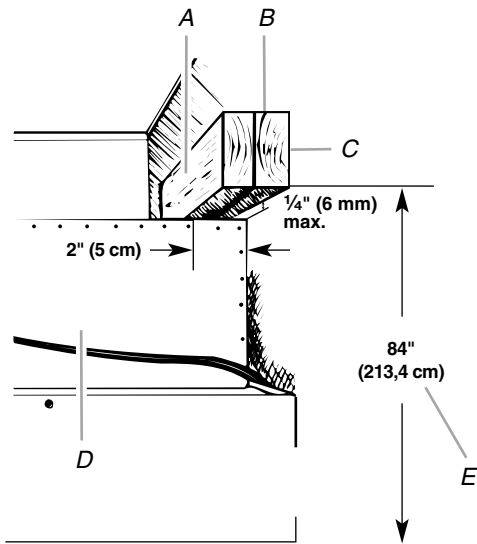
1. Use una llave de cubo de  $\frac{5}{16}$ " para girar los pernos niveladores hacia la derecha y extender las patas hasta el piso, como se muestra. Los rodillos no deberán hacer contacto con el piso.



- A. Perno nivelador trasero
- B. Perno nivelador frontal

- Ajuste las patas niveladoras para nivelar y alinear el refrigerador de izquierda a derecha y de adelante hacia atrás de modo tal que el refrigerador esté nivelado y alineado con los armarios.
- Continúe ajustando todas las patas niveladoras para levantar el refrigerador hasta que la parte superior esté al menos a  $\frac{1}{4}$ " (6,35 mm) del sofito superior como se muestra.

**NOTA:** Si se ha utilizado un tablero antivuelco, ajuste las patas niveladoras hasta que la parte superior del refrigerador haga contacto con la parte inferior del (de los) tablero(s) antivuelco. No aplaste la tapa del compresor.



- Tablero central  $\frac{1}{4}$ " (6,35 mm) máximo arriba del refrigerador
- Dos tableros de 2" x 4" x 32" (5 cm x 10 cm x 81 cm)
- Ajuste a los pies derechos con seis tornillos #8 x 3" (7,6 cm)
- Tapa del compresor
- Distancia desde la parte inferior del tablero anti-vuelco hasta el piso

**IMPORTANTE:** Ajuste en pequeños incrementos para evitar dañar la moldura del armario y causar problemas con el alineamiento de la puerta o el ajuste de la rejilla superior. Para evitar daños al armario o a las patas niveladoras, no aplique más de 50 pulg-lbs (5,65 Nm) de torque a los pernos niveladores. Las patas niveladoras pueden extenderse hasta un máximo de  $1\frac{1}{4}$ " (3,18 cm) por debajo de los rodillos.

- Después de nivelar el refrigerador, use nuevamente una regla o un nivel de 4 pies que atravesase la parte frontal de los bloques de instalación del refrigerador hasta los armarios, para verificar que el refrigerador todavía esté alineado.

## Instalación del refrigerador y los paneles

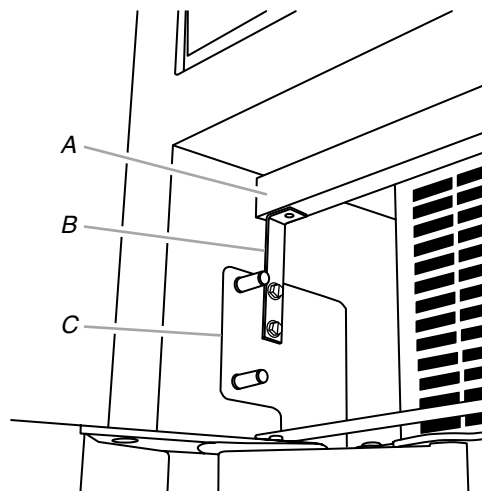
**IMPORTANTE:** Jenn-Air no es responsable de la remoción o adición de molduras o paneles recubiertos que pudieran impedir el acceso al refrigerador para darle servicio.

### Instalación de la cubierta de la rejilla superior (solamente para instalación estándar)

**IMPORTANTE:** La altura del panel de la rejilla permite el flujo de aire necesario para que el refrigerador funcione. La cubierta de la rejilla superior oculta la cubierta del compartimiento superior detrás de la rejilla superior. Si usted decide modificar las medidas recomendadas para el panel de la rejilla, comprometerá su funcionamiento.

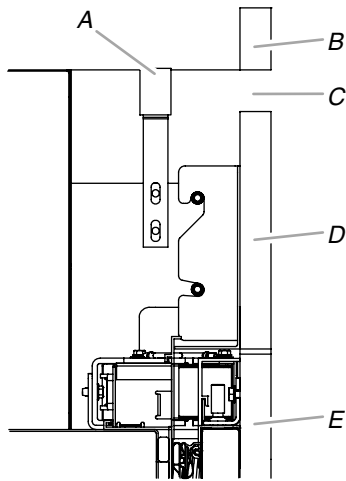
#### Modelos con panel de madera a la medida

- Taladre un orificio a  $1\frac{1}{16}$ " de cada borde en la pieza de madera para cubrir hecha a la medida (1" x el ancho del panel de la rejilla).  
**NOTA:** Cerciórese de que el orificio esté centrado en el espesor de 1" de la pieza de madera.
- Usando los tornillos de cabeza ranurada hexagonal (provistos con el refrigerador), fije un soporte en "L" a cada extremo de la pieza de madera para cubrir.
- Usando los tornillos de cabeza hexagonal romos (provistos con el refrigerador), sujete los soportes en "L" a las placas de montaje de la rejilla superior.
- Ajuste los soportes en "L" de modo que la pieza de madera para cubrir esté alineada con la parte inferior del sofito. Apriete por completo los tornillos.



- Cubierta de madera a la medida
- Soporte en "L"
- Placa de montaje de la rejilla

## Vista lateral



A. Cubierta de la rejilla superior  
B. Sofito  
C. Flujo de aire  
D. Panel de la rejilla  
E. Panel de la puerta

## Modelos con juego de paneles

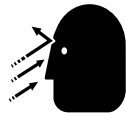
### ⚠️ ADVERTENCIA

#### Peligro de Peso Excesivo

Use dos o más personas para mover e instalar los paneles.

No seguir esta instrucción puede ocasionar una lesión en la espalda u otro tipo de lesiones.

### ⚠️ ADVERTENCIA



#### Peligro debido a vidrios rotos

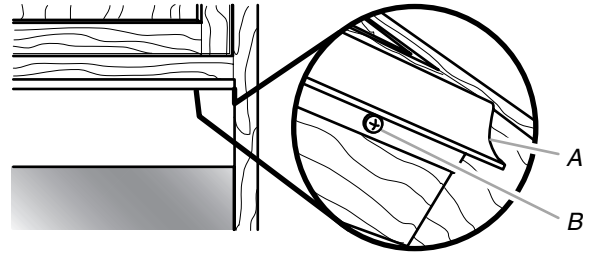
No golpee las puertas de vidrio del refrigerador.

Proteja la superficie y los bordes del vidrio durante la instalación o remoción de las puertas.

No seguir estas instrucciones puede ocasionar lesiones graves en los ojos o cortaduras pequeñas.

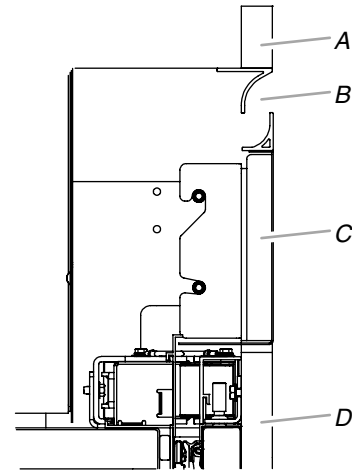
1. Alinee la cubierta de la rejilla superior (provista con el juego de puerta) con el borde inferior del sofito. Úsela como plantilla y marque los lugares en donde se van a taladrar los orificios.

2. Usando los tornillos de cabeza ranurada hexagonal (provistos con el refrigerador), fije la cubierta de la rejilla superior al sofito.



A. Cubierta de la rejilla superior  
B. Tornillo de cabeza ranurada hexagonal

## Vista lateral



A. Sofito  
B. Flujo de aire  
C. Panel de la rejilla  
D. Panel de la puerta

### Cómo taladrar los paneles previamente (solamente para los paneles de madera a la medida)

**IMPORTANTE:** La plantilla puede usarse ya sea para una instalación con mocheta de  $\frac{3}{8}$ " (0,95 cm) o de  $\frac{1}{8}$ " (0,32 cm).

- Las plantillas de taladrado se usan solamente para los paneles recubiertos de madera a la medida.
  - Las plantillas de taladrado tienen dos lados.
  - Los orificios para taladrar se han cortado previamente en la plantilla.
1. Ubique el diagrama de su refrigerador en la plantilla. Después siga las letras y las flechas de colores para colocar correctamente la plantilla de taladrado sobre los paneles.
  2. Taladre previamente un orificio piloto de  $\frac{1}{8}$ " (0,32 cm) de profundidad en los rieles de madera que bordean las puertas y los paneles de la rejilla superior.

## Cómo taladrar los paneles previamente (solamente para juegos de paneles)

**IMPORTANTE:** Los paneles que se incluyen en los juegos de paneles están marcados solamente para la ubicación de los soportes de montaje.

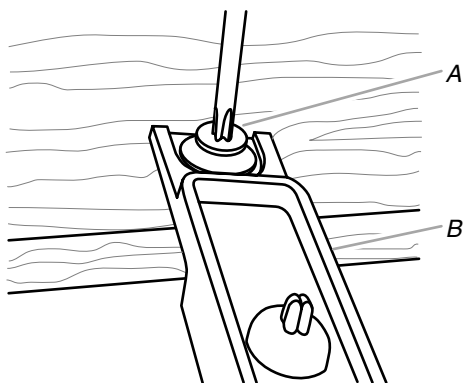
1. Taladre previamente orificios en donde está marcado. Vea "Complete la instalación" más adelante en esta sección para obtener instrucciones acerca de cómo taladrar orificios adicionales en los paneles de la puerta.
2. Despegue el reverso de la cubierta protectora en el panel de la puerta, en el área de los soportes y los pernos de la manija. No quite por completo la cubierta protectora hasta que se haya terminado la instalación.

## Preparación de los paneles (de madera a la medida o juegos de paneles)

**IMPORTANTE:** El procedimiento para instalar los paneles sobre el refrigerador es el mismo para los paneles a la medida y para los juegos de paneles.

### Paneles de la puerta

1. Coloque los paneles sobre una superficie firme y plana, con la parte frontal mirando hacia abajo.
2. Ubique los dos orificios pretaladrados en el borde del lado de la manija del panel de la puerta.
3. Usando el bloque de instalación como guía para la profundidad, atornille los pernos prisioneros (provistos con el refrigerador) en el panel de la puerta previamente taladrado (dos pernos prisioneros por puerta).



A. Perno prisionero para puerta  
B. Bloque de instalación

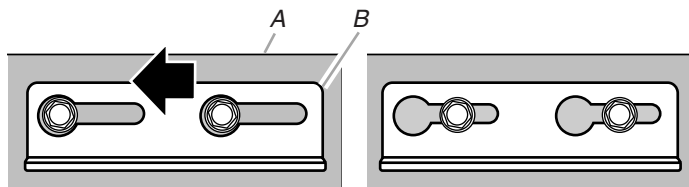
4. Para el soporte de montaje, inserte los tornillos puntiagudos de cabeza hexagonal (provistos con el refrigerador) en la madera que se encuentra en la parte superior de los paneles de la puerta donde se taladraron previamente.

### NOTAS:

- Es fundamental usar el tornillo de  $\frac{5}{8}$ " , el más largo que se haya provisto, para fijar el soporte a la parte superior del panel de la puerta. Estos tornillos puntiagudos de cabeza hexagonal se usan solamente para fijar este soporte de montaje.
- Juegos de paneles – Ubique los orificios para sujetar los tornillos puntiagudos de cabeza hexagonal buscando las ranuras en el panel de la puerta, no los orificios con forma de U.

5. Fije un soporte de montaje al extremo superior de cada panel de la puerta, colocando el extremo grande de la bocallave sobre los tornillos, y deslizando el soporte para que los tornillos queden centrados en las ranuras.

**NOTA:** Comience con los tornillos que están en el centro de las ranuras, como se muestra; luego mueva el panel de la puerta para alinearlos, si es necesario.



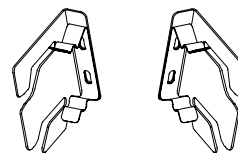
A. Panel de la puerta B. Soporte de montaje

### Panel para la rejilla superior

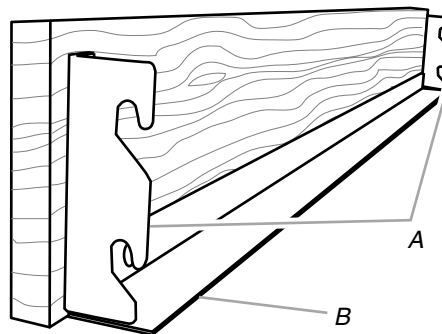
1. Usando los tornillos de cabeza ranurada hexagonal provistos, fije un soporte de montaje a cada lado del panel de la rejilla.

**IMPORTANTE:** Vea la hoja separada de Piezas provistas para seleccionar los soportes designados para su instalación.

- Use los soportes de la Rejilla incorporada para una instalación incorporada con una rejilla de altura completa.



- Use los soportes estándar de la rejilla para una instalación estándar con un sofite abierto o cerrado.



A. Soportes de la rejilla superior  
B. Pieza de cubierta de la rejilla

2. Usando los tornillos de cabeza redonda (provistos con el refrigerador), sujete la pieza de la cubierta de la rejilla a la parte inferior del panel de la misma.

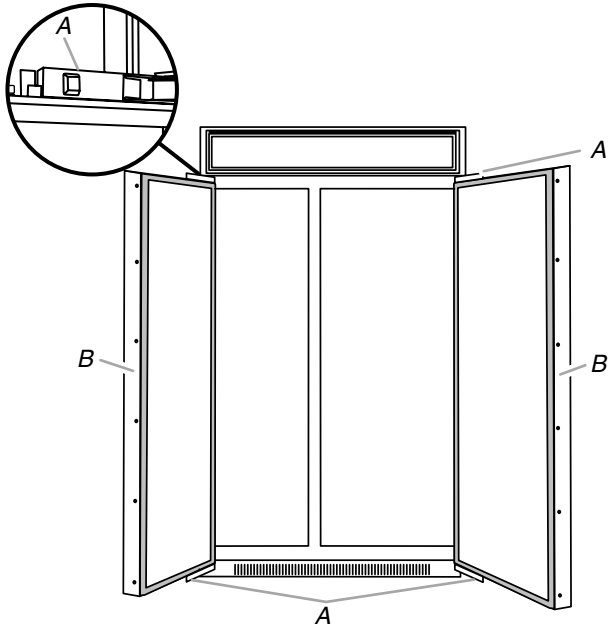
**NOTA:** La cubierta de la rejilla está instalada previamente en los juegos de paneles.

## Saque las piezas de la cubierta

1. Quite toda la cinta y los refuerzos de las puertas del refrigerador y del congelador.
2. Abra las puertas del refrigerador y del congelador.
3. Saque las piezas de la cubierta de la bisagra de la parte superior e inferior de la puerta, para descubrir los orificios en las bisagras.

**NOTA:** No es necesario quitar las cubiertas laterales de la bisagra, ya que no van a interferir con la instalación.

4. Quite las cubiertas del lado de la manija. Vea la ilustración a continuación.

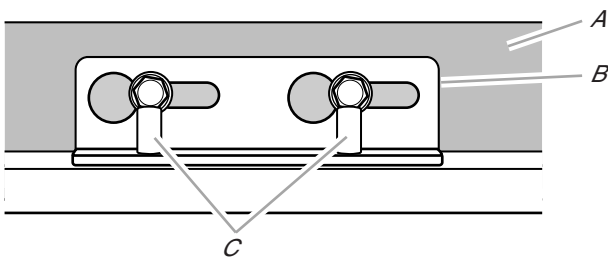


A. Piezas de la cubierta de la bisagra  
B. Cubierta de la puerta del lado de la manija

## Cómo instalar los paneles de la puerta

**NOTA:** Abra primero la puerta que está en el lado opuesto de la puerta en la que usted va a instalar el panel.

1. Baje el soporte de montaje del panel sobre los pasadores de ajuste en la parte superior de la puerta.

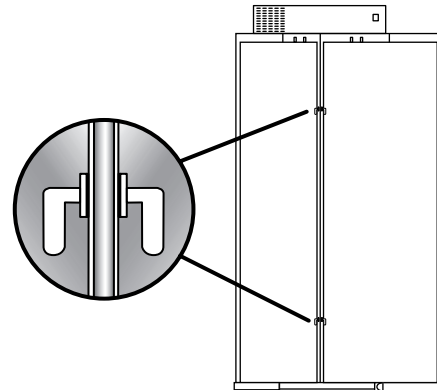


A. Panel de la puerta  
B. Soporte de montaje  
C. Pasadores de ajuste

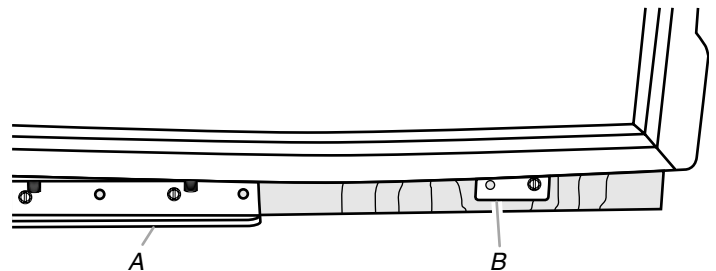
2. Ubique los pernos en la parte posterior del panel de la puerta. Deslice los pernos prisioneros, el perno superior seguido del perno inferior, dentro de las cavidades en "J" que están al frente de la puerta.

**NOTA:** Se inserta la arandela en el perno, no la cabeza del perno, en la cavidad en "J" de la puerta.

3. Deslice el panel de la puerta hacia abajo, dentro de la cavidad con forma de "J" que está en el frente de la puerta.

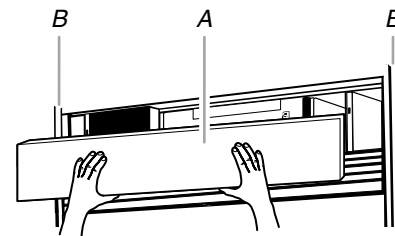


4. Repita los pasos 1 a 3 para instalar el segundo panel de la puerta.
5. Usando los tornillos de cabeza ranurada hexagonal (provistos con el refrigerador), fije el soporte de montaje (instalado en la parte inferior de las puertas del refrigerador y del congelador, a sus paneles de puerta respectivos. No apriete el tornillo por completo.



A. Bisagra inferior  
B. Soporte de montaje

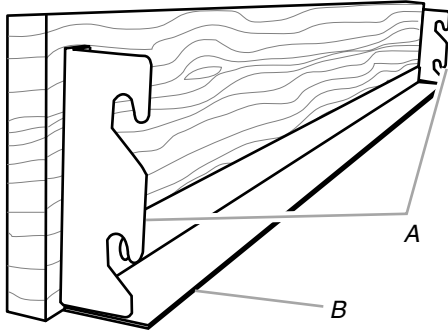
## Instalación del panel para la rejilla superior



A. Panel de la rejilla superior  
B. Lados del armario

## Instalación estándar - Rejilla alineada

1. Enganche los soportes del panel sobre los pernos de montaje que se extienden desde la parte superior del refrigerador.

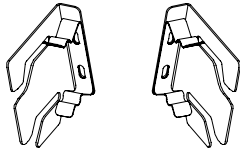


A. Soportes del panel  
B. Pieza de cubierta de la rejilla

2. Jale el panel de la rejilla levemente hacia abajo para asegurarlo en su lugar.

## Instalación incorporada - Rejilla de altura completa

1. Alinee el soporte a cada lado del panel de la rejilla superior con los pernos de montaje.

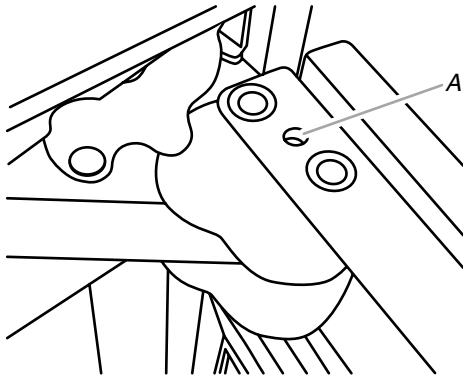


2. Empuje hacia delante el panel de la rejilla hasta que el soporte encaje a presión en su lugar.

## Cómo ajustar la oscilación de las puertas

Tal vez sea necesario ajustar la abertura de la puerta. Verifique que la(s) puerta(s) del refrigerador se pueda(n) abrir con toda libertad. Si la(s) puerta(s) se abre(n) demasiado, instale el pasador para el tope de la puerta (provisto con el refrigerador).

1. Detenga la puerta abierta en un ángulo menor de 90°.
2. Inserte el pasador para el tope de la puerta en la bisagra superior, en el orificio que se muestra.
3. Usando una llave hexagonal de  $\frac{5}{32}$ ", apriete el pasador del tope de la puerta.

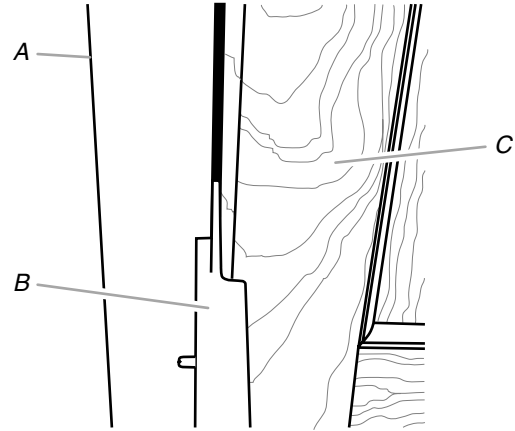


A. Orificio del pasador del tope de la puerta

## Complete la instalación

1. Use el bloque de instalación para medir los espacios entre los paneles y los armarios adyacentes.

- Los paneles de madera recubiertos a la medida pueden ser fabricados con un espacio de  $\frac{3}{8}$ " (0,95 cm) o  $\frac{1}{8}$ " (0,32 cm) entre el panel y los armarios, y un espacio de  $\frac{1}{8}$ " (0,32 cm) entre la(s) puerta(s) del refrigerador y del congelador, y entre la(s) puerta(s) y la rejilla superior.
- Todos los juegos de paneles que se compran necesitarán tener un espacio de  $\frac{3}{8}$ " (0,95 cm) entre el panel y los armarios, y un espacio de  $\frac{1}{8}$ " (0,32 cm) entre la(s) puerta(s) del refrigerador y la(s) del congelador, y entre la(s) puerta(s) y la rejilla superior.

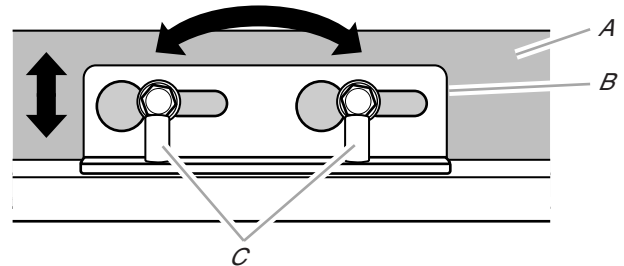


A. Armario adyacente  
B. Bloque de instalación  
C. Panel sobre la puerta

2. Ajuste el panel para lograr el espacio requerido, o para alinearlos.

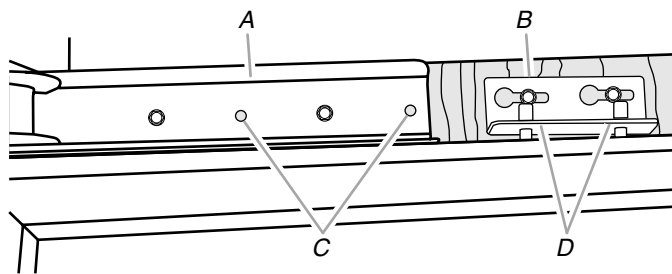
**IMPORTANTE:** Si se necesita algún ajuste, ajuste el panel y no la puerta. Ajústelo de izquierda a derecha en el soporte de montaje, antes de usar los pasadores para ajustar el panel hacia arriba y hacia abajo o en ángulo.

- Deslice el panel recubierto de un lado a otro en la bocallave.
- Use una llave hexagonal para levantar o bajar los pasadores de ajuste, lo que permite que gire el panel de la puerta.



A. Panel de la puerta  
B. Soporte de montaje  
C. Pasadores de ajuste

- Taladre previamente un orificio piloto de 1/8" de profundidad en el panel de la puerta, atravesando los orificios abiertos en las bisagras superior e inferior.
- Usando los tornillos de cabeza ranurada hexagonal (provistos con el refrigerador), fije las bisagras superior e inferior a los paneles de la puerta. Apriete por completo todos los tornillos del panel de la puerta.



A. Bisagra superior  
B. Soporte de montaje  
C. Orificios para tornillos  
D. Pasadores de ajuste

- Usando los tornillos de cabeza ranurada hexagonal (provistos con el refrigerador) para cada lado, fije los paneles de la puerta a las cubiertas de la puerta del lado de la bisagra.
- Usando los tornillos Phillips de cabeza plana (provistos con el refrigerador), instale la cubierta de la puerta del lado de la manija.
- Apriete por completo los tornillos fijando los soportes de montaje, ubicados en la base de las puertas, a los paneles recubiertos.
- Vuelva a instalar la cubierta superior de la puerta y la cubierta de la bisagra.
- Encaje a presión la cubierta del pasador de ajuste (provista con el refrigerador) en su lugar.

## Instalación de las manijas

(Sólo para modelos con juego de paneles)

**IMPORTANTE:** Instale las manijas después de haber instalado los paneles de la puerta. Siga las instrucciones que sean específicas para el diseño del panel de la puerta.

**Herramientas necesarias:** Llave hexagonal en L de 3/32"

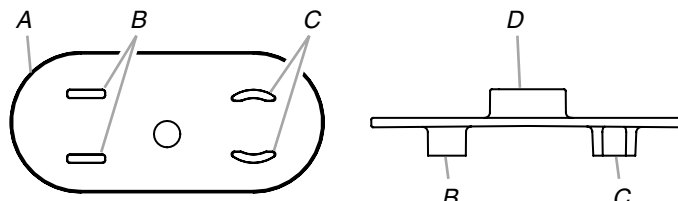
### Paneles de la puerta – Diseños de madera, acero inoxidable y bronce lubricado a la medida

- Ubique los orificios en los paneles de la puerta en donde se instalarán los pernos de montaje de las manijas.
- Sujete los pernos de montaje de las manijas a los paneles de la puerta.
- Instale las manijas en los pernos de montaje y apriete los tornillos opresores.

### Paneles de la puerta - Diseño de vidrio flotante

**IMPORTANTE:** Para alinear correctamente la manija en la puerta, el espaciador de plástico de la manija y los tornillos opresores en la manija de la puerta deberán estar en las posiciones designadas en la tabla.

- Ubique los orificios en los paneles de la puerta en donde se instalarán los pernos de montaje de las manijas.
- Inserte el poste circular en la parte posterior de los espaciadores de la manija, dentro de los orificios, en los paneles de la puerta



A. Espaciador de plástico de la manija  
B. Postes de montaje rectos de la manija  
C. Postes de montaje curvos de la manija  
D. Poste circular

- Según el compartimento, gire el espaciador de plástico de manera que los postes de montaje curvos de la manija estén en la parte superior o inferior. Vea el cuadro siguiente.

	Congelador Puerta izquierda	Refrigerador Puerta derecha
Poste de montaje curvo	Parte inferior	Parte superior
Tornillos opresores	Derecha	Izquierda

- Deslice el tornillo dentro del perno de montaje de la manija. Inserte el ensamblaje del tornillo en el orificio central del espaciador de plástico y sujételo al panel de la puerta.
- Instale las manijas en los pernos de montaje de las mismas, de manera que los tornillos opresores estén en el lado designado; apriete los tornillos opresores.

### Instalación de la rejilla de la base

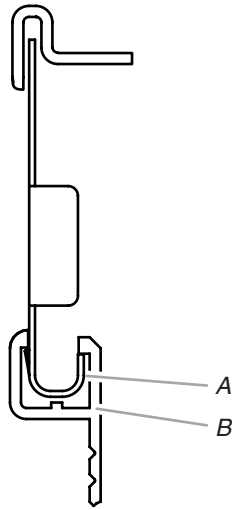
La rejilla de base está formada por dos piezas para permitir un encaje a la medida: la rejilla de la base misma y el faldón. Se puede agregar el faldón a la rejilla de la base para extenderla hasta el piso.

- Para ver si se necesita el faldón, coloque la rejilla de la base en su posición. No fije la rejilla de la base al refrigerador. Mida la distancia entre la parte inferior de la rejilla de la base y el piso. El espacio debe ser de 1/2" (1,27 cm) como mínimo para agregar el faldón.

**NOTA:** Si el espacio mide menos de 1/2" (1,27 cm), saltee los pasos 3 y 4 de las instrucciones e instale solamente la rejilla de la base.

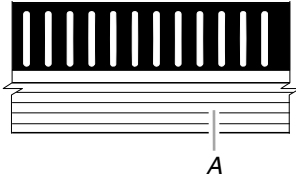
- Saque la película protectora de la rejilla de la base.

3. Encaje a presión el faldón sobre la rejilla de la base.



A. Rejilla de la base  
B. Faldón

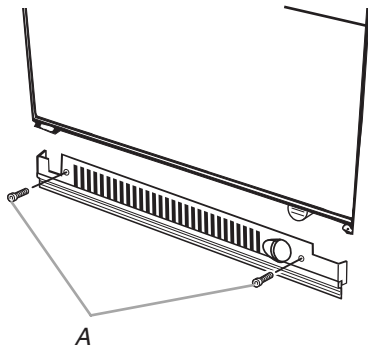
4. Recorte el faldón trazando la muesca en forma de "V" apropiada con un cuchillo para uso general. Parta el faldón en la línea trazada.



A. Muesca en "V"

5. Usando los dos tornillos, fije el ensamblaje de la rejilla de la base al refrigerador, como se muestra.

**NOTA:** Atornille primero el tornillo del lado derecho.



A. Tornillos (2)

## Cómo terminar la instalación

1. Gire la válvula de la tubería de alimentación de agua a la posición "Abierta".
2. Gire el interruptor del refrigerador a la posición ON (Encendido). Vea la sección "Interruptor de Encendido/ Apagado" en el Manual de uso y cuidado, para las instrucciones. Espere unos minutos. Busque fugas en las conexiones de la tubería de agua.
3. Quite todas las cajas, paquetes de partes y materiales de empaque del interior del refrigerador. Vea la sección "Limpieza" en el Manual de uso y cuidado, para las instrucciones. Quite la película y el cartón protector de la rejilla y de las puertas o marco de la puerta, según su modelo.
4. Instale los estantes y recipientes en los compartimientos del refrigerador y del congelador.
5. Los controles están prefijados de fábrica en su posición intermedia. Verifique que el compresor esté funcionando correctamente y que todas las luces funcionan.
6. Enjuague el sistema de agua antes de utilizarlo. Vea "Preparación del sistema de agua".

Para obtener el uso más eficiente de su nuevo refrigerador empotrado, lea el Manual de uso y cuidado. Conserve a mano las Instrucciones de instalación y el Manual de uso y cuidado del refrigerador empotrado para una consulta fácil.



# SÉCURITÉ DU RÉFRIGÉRATEUR

## Votre sécurité et celle des autres est très importante.

Nous donnons de nombreux messages de sécurité importants dans ce manuel et sur votre appareil ménager. Assurez-vous de toujours lire tous les messages de sécurité et de vous y conformer.



Voici le symbole d'alerte de sécurité.

Ce symbole d'alerte de sécurité vous signale les dangers potentiels de décès et de blessures graves à vous et à d'autres.

Tous les messages de sécurité suivront le symbole d'alerte de sécurité et le mot "DANGER" ou "AVERTISSEMENT". Ces mots signifient :

**⚠ DANGER**

Risque possible de décès ou de blessure grave si vous ne suivez pas immédiatement les instructions.

**⚠ AVERTISSEMENT**

Risque possible de décès ou de blessure grave si vous ne suivez pas les instructions.

Tous les messages de sécurité vous diront quel est le danger potentiel et vous disent comment réduire le risque de blessure et ce qui peut se produire en cas de non-respect des instructions.

## ⚠ AVERTISSEMENT



### Risque de basculement

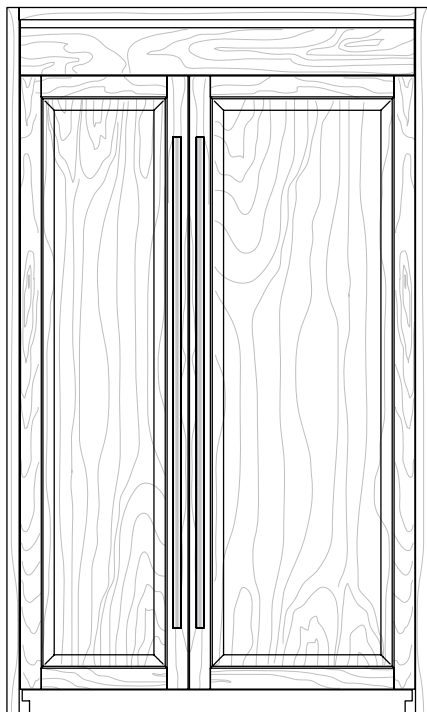
Le réfrigérateur est lourd au sommet et bascule facilement lorsqu'il n'est pas complètement installé.

Garder les portes fermées avec un ruban adhésif jusqu'à l'installation complète du réfrigérateur.

Utiliser deux ou plus de personnes pour déplacer et installer le réfrigérateur.

Le non-respect de ces instructions peut causer un décès ou une blessure grave.

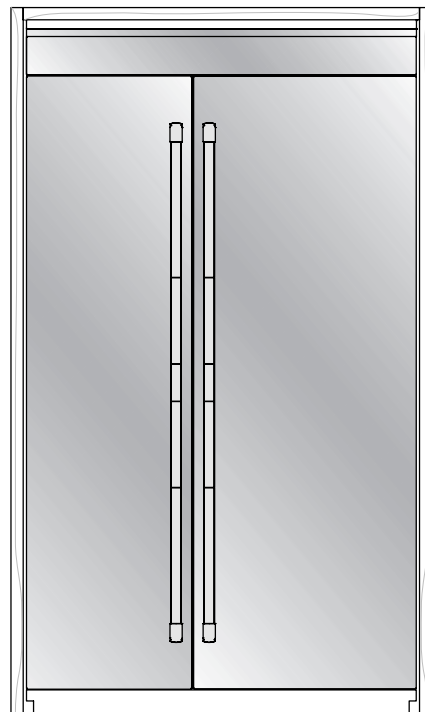
# MODÈLES



## Conception intégrée

Comporte des panneaux et du matériel personnalisés fournis par l'ébéniste pour une apparence harmonieuse conçue pour s'intégrer aux meubles de cuisine existants.

**Numéros de modèle de base :** JS42NXFXDW, JS48NXFXDW

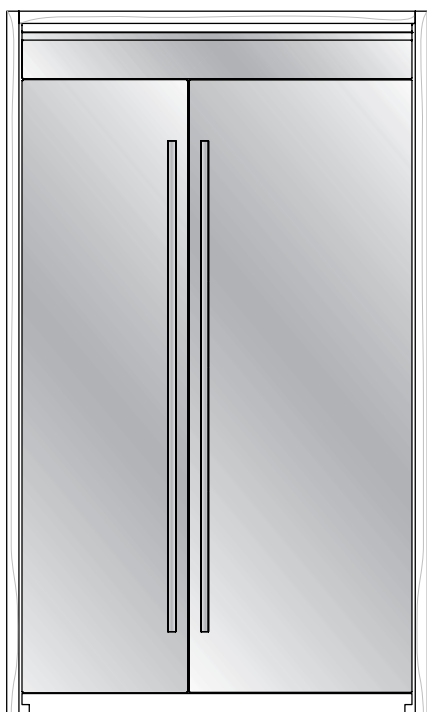


## Habillage en acier inoxydable Pro-Style®

Portes avec revêtement en acier inoxydable et poignées Pro-Style® et surface de saisie avec texture gravée (losanges).

**Numéros de modèles de base :** JS42NXFXDW, JS48NXFXDW

**Numéros de modèles d'ensembles :** JPK42SNXWPS, JPK48SNXWPS

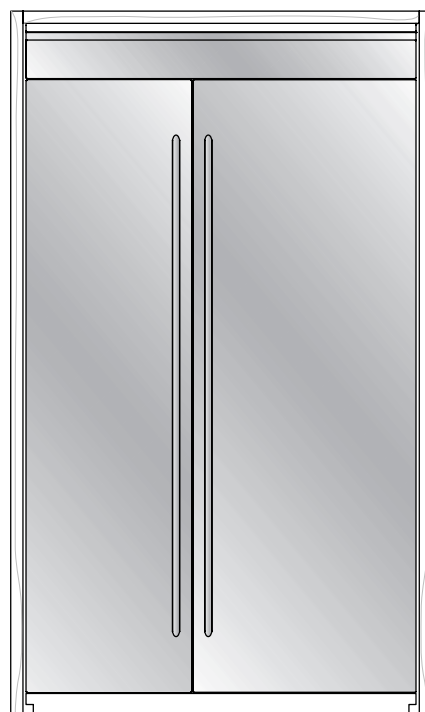


## Habillage en acier inoxydable Euro-Style

Portes avec revêtement en acier inoxydable avec poignées de style porte-serviette assorties aux produits Euro kitchen suite de Jenn-Air et qui rehaussent tout décor de cuisine.

**Numéros de modèles de base :** JS42NXFXDW, JS48NXFXDW

**Numéros de modèles d'ensembles :** JPK42SNXWES, JPK48SNXWES



## Conception Euro-Style classique

Portes avec habillage en acier inoxydable avec poignées de Euro-Style pour rehausser l'apparence d'une cuisine en acier inoxydable traditionnelle.

**Numéros de modèles de base :** JS42NXFXDW, JS48NXFXDW00

**Numéros de modèles d'ensembles :** JPKSNXWSS, JPK48SNXWSS

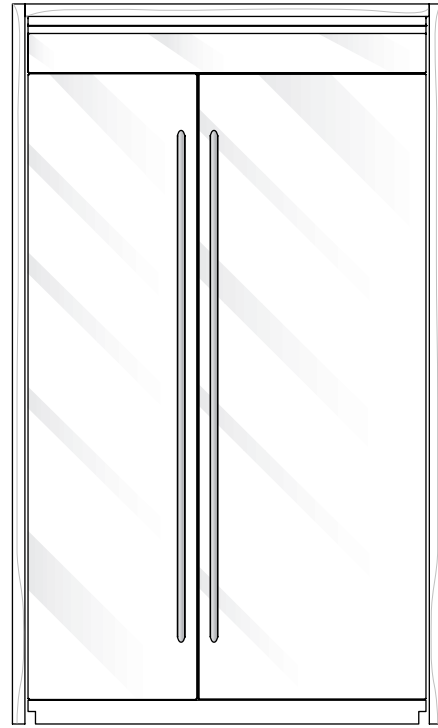


#### Conception bronze huilé

Brossage cuivré avec mouvements imbriqués s'intégrant parfaitement dans la cuisine avec poignées assorties légèrement incurvées pour ajouter à la forme expressive du réfrigérateur.

**Numéros de modèles de base :** JS42NXFXDW, JS48NXFXDW00

**Numéros de modèles d'ensembles :** JPKSNXWSR, JPK48SNXWSR



#### Conception de verre flottant

Panneaux blancs et noirs classiques qui semblent flotter en place avec poignées légèrement incurvées aux couleurs coordonnées qui agrémenteront votre cuisine contemporaine.

**Numéros de modèles de base :** JS42NXFXDW, JS48NXFXDW00

**Numéros de modèles d'ensembles:**

**Verre noir** - JPK42SNXWSY, JPK48SNXWSY

**Verre blanc** - JPK42SNXWSF, JPK48SNXWSF

## Accessoires

Toutes les pièces d'usine sont disponibles chez votre marchand Jenn-Air ou en appelant Jenn-Air au **1-800-JENNAIR (1-800-536-6247)**. Au Canada, composer le **1-800-807-6777**.

#### Ensembles de poignées de porte

Il est possible de commander ces ensembles de poignées pour une utilisation sur des panneaux de bois décoratifs personnalisés. Suivre les instructions de l'ensemble pour l'installation des poignées de porte.

**Acier inoxydable Pro-Style®** - W10250643

**Acier inoxydable Euro-Style®** - W10250637

**Classic Euro-Style** - W10250640

#### Ensemble de panneaux de porte à deux battants

Suivre les instructions de l'ensemble pour l'installation.

**Modèle de 42"** - W10292393

**Modèle de 48"** - W10292394

## EXIGENCES D'INSTALLATION

### Outillage et pièces

#### IMPORTANT :

- Installateur : Remettre les instructions d'installation au propriétaire.
- Propriétaire : Conserver les instructions d'installation pour référence ultérieure. Conserver ces instructions d'installation pour consultation par l'inspecteur local des installations électriques.

#### OUTILLAGE REQUIS :

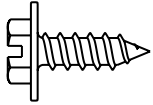



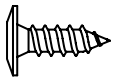
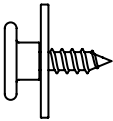
Rassembler les outils et pièces nécessaires avant de commencer l'installation. Lire et suivre les instructions fournies avec les outils indiqués ici :

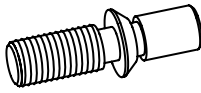
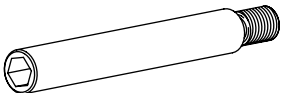
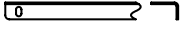
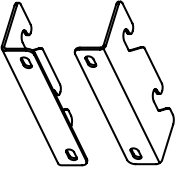
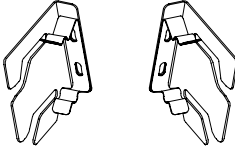
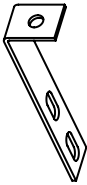


- Perceuse sans fil
- Forets
- Deux clés à molette
- Tournevis Phillips
- Petit niveau
- Chariot pour appareil ménager
- Clé à tête hexagonale de  $\frac{3}{32}$ " (ensembles de panneaux uniquement)
- Tourne-écrou de  $\frac{1}{32}$ "
- Clés plates de  $\frac{3}{8}$ " et  $\frac{1}{2}$ "
- Clé à tête hexagonale de  $\frac{5}{32}$ " et  $\frac{3}{16}$ "
- Clé à douille, avec douilles de  $\frac{1}{4}$ " et  $\frac{5}{16}$ "
- Mètre-ruban
- Couteau utilitaire
- Ruban de masquage (pour peinture)

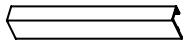
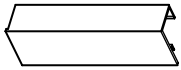

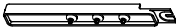
## PIÈCES NÉCESSAIRES :

- Six vis à bois n° 8 x 3" (7,6 cm) (il peut être nécessaire d'utiliser des vis plus longues)
- Une ou deux planche(s) de bois de 2" x 4" x 32" (5 cm x 10 cm x 81 cm)
- Panneaux de bois décoratifs personnalisés - consulter un ébéniste ou un menuisier qualifié pour la réalisation des panneaux de bois personnalisés. Voir "Panneaux de bois décoratifs personnalisés" pour plus d'informations.  
Ensembles de panneaux – Voir "Modèles de 36" ou modèles de porte à double battant de 42"" pour plus d'informations sur l'ensemble de panneaux.
- Tuyau d'alimentation en eau flexible approuvé par les codes en vigueur, une virole, un raccord et un raccord de compression de ¼" (6,35 mm).

## PIÈCES FOURNIES :

 <p>Vis à tête hexagonale fendue</p> <p><b>W10141645</b> (21)</p>	 <p>Vis à tête hexagonale et bout pointu</p> <p><b>W10141189</b> (4)</p>
 <p>Vis à tête hexagonale et bout plat</p> <p><b>W10142233</b> (4)</p>	 <p>Vis à tête ronde</p> <p><b>1163283</b> (24)</p>
 <p>Vis à tête plate Phillips</p> <p><b>8281251</b> (28)</p>	 <p>Goujon pour panneau de porte</p> <p><b>W10129563</b></p>

 <p>Goupille d'ajustement de porte</p> <p><b>W10234194</b></p>	 <p>Goupille d'arrêt de porte</p> <p><b>W10234202</b></p>
 <p>Support pour panneau de tiroir</p> <p><b>W10203457</b></p>	 <p>Support de grille standard</p> <p><b>W10182743</b> - Gauche <b>W10182741</b> - Droit</p>
 <p>Support de grille incorporé</p> <p><b>W10260890</b> - Gauche <b>W10260891</b> - Droit</p>	 <p>Support de panneau de remplissage en "L"</p> <p><b>W10234199</b></p>
 <p>Support supérieur de panneau</p> <p><b>W10192849</b></p>	 <p>Garniture inférieure de la grille supérieure</p> <p><b>W10250961</b> - 36" Congélateur en bas <b>W10250962</b> - 42" Congélateur en bas, Côte à côte <b>W10250963</b> - 48" Côte à côte</p>

 <p>Couvre-charnière du compartiment de réfrigération</p> <p><b>W10199873</b> - 42" Côte à côte  <b>W10199875</b> - 48" Côte à côte  <b>W10202875</b> - 36" Congélateur en bas (Droit)  <b>W10202510</b> - 42" À double porte avec congélateur en bas (Droit)</p>	 <p>Cache-charnière du compartiment de congélation</p> <p><b>W10199886</b> - 42" Côte à côte  <b>W10199888</b> - 48" Côte à côte  <b>W10202877</b> - 36" Congélateur en bas (Gauche)  <b>W10202511</b> - 42" À double porte avec congélateur en bas (Gauche)</p>
<p>Gabarits de panneau</p> <p><b>W10222280</b> - Côte à côte  <b>W10222278</b> - Congélateur en bas  <b>W10222282</b> - Grille</p>	 <p>Garniture latérale de poignée de porte</p> <p><b>W10167367</b> - Côte à côte  <b>W10188556</b> - Congélateur en bas (Gauche)  <b>W10202604</b> - Congélateur en bas (Droit)  <b>W10202478</b> - À double porte avec congélateur en bas (Droit)  <b>W10202480</b> - À double porte avec congélateur en bas (Gauche)</p>
 <p>Bloc de montage</p> <p><b>W10234156</b></p>	

## Exigences d'emplacement

### **⚠ AVERTISSEMENT**



#### Risque d'explosion

**Garder les matériaux et les vapeurs inflammables, telle que l'essence, loin du réfrigérateur.**

**Le non-respect de cette instruction peut causer un décès, une explosion ou un incendie.**

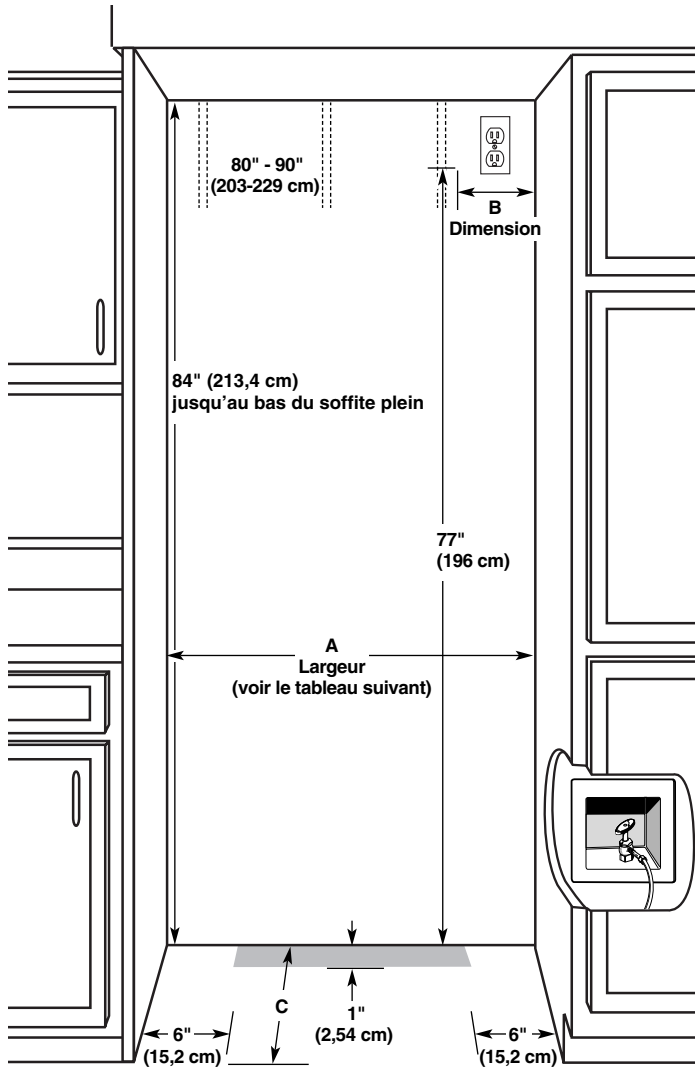
#### IMPORTANT :

- Respecter les dispositions de tous les codes et règlements en vigueur.
- Il est conseillé de ne pas installer le réfrigérateur près d'un four, d'un radiateur ou de toute autre source de chaleur.
- Ne pas installer l'appareil en un endroit où la température pourrait descendre en dessous de 55°F (13°C).
- Le plancher doit pouvoir supporter le poids du réfrigérateur, soit plus de 272 kg (600 lb), en plus des panneaux de porte et du contenu du réfrigérateur.
- La hauteur libre sous plafond doit être suffisante pour permettre le basculement de chaque côté. Voir "Rayon de basculement".
- L'emplacement doit permettre l'ouverture complète de la porte. Voir "Dimensions pour le pivotement des portes".
- L'emplacement d'installation doit permettre la dépose de la grille supérieure. Voir "Dimensions d'ouverture d'encastrement".

#### Dimensions de l'ouverture d'encastrement

- La largeur de l'ouverture d'encastrement (d'un côté à l'autre) doit être telle que spécifiée pour le modèle concerné, pour au moins 2" (5,08 cm) en retrait de l'avant du meuble.
- REMARQUE:** Si l'ouverture ne respecte pas cette condition, des modifications devront être apportées.
- Un soffite ou placard mural robuste doit être installé à 84" (213,4 cm) au-dessus du plancher. Si le soffite en matériau robuste est d'une hauteur supérieure à 84" (213,4 cm) ou s'il n'y en a pas, le réfrigérateur doit être arrimé.
- Si les planches antibasculement sont nécessaires, elles doivent être fixées aux goujons du mur arrière de façon à ce qu'il y ait 84" (213,4 cm) entre le bas de la planche antibasculement et le plancher. Voir "Installation des planches anti-basculement" pour plus d'informations.
- Pour une installation totalement intégrée, un dégagement de 6" (15,24 cm) au minimum au-dessus du réfrigérateur est nécessaire. Voir la section "Installation totalement intégrée". Des planches anti-basculement sont requises. Voir "Installation des planches anti-basculement" pour plus d'informations.
  - Une prise de courant à 3 alvéoles reliée à la terre devrait être installée à une distance donnée du côté droit des placards ou du panneau d'extrémité. Voir le schéma sous l'illustration pour la distance requise pour votre modèle. Voir "Spécifications électriques" pour plus d'information.

- Le robinet d'arrêt d'eau doit être situé dans le meuble inférieur d'un côté ou de l'autre du réfrigérateur, ou à un autre endroit facilement accessible. Si le robinet d'arrêt ne se trouve pas dans les meubles, la plomberie d'arrivée d'eau peut provenir du plancher. Voir la section "Exigences de l'alimentation en eau" pour plus d'informations.



Modèle	Largeur A (tel qu'indiqué ci-dessus)	Dimension B (tel qu'illustré ci-dessus)
42	42" (106,7 cm)	10" (25,4 cm)
48	48" (121,9 cm)	16" (40,6 cm)

Type d'installation	Profondeur C (tel qu'illustré ci-dessus)
Standard - Affleurement (nouvelle installation)	25" (63,5 cm) minimum
Modernisations	24" (60,9 cm) minimum

**IMPORTANT :**

- La largeur de l'ouverture d'encastrement (largeur A) doit être telle que spécifiée pour le modèle concerné, pour au moins 2" (5,08 cm) en retrait de l'avant du meuble.

**REMARQUE :** Si l'ouverture ne respecte pas cette condition, des modifications devront être apportées.

- Le revêtement de sol sous le réfrigérateur doit se trouver au même niveau que le sol de la pièce. L'avant des placards doit être d'aplomb.

## Spécifications électriques

### ⚠ AVERTISSEMENT



**Risque de choc électrique**

**Brancher sur une prise à 3 alvéoles reliée à la terre.**

**Ne pas enlever la broche de liaison à la terre.**

**Ne pas utiliser un adaptateur.**

**Ne pas utiliser un câble de rallonge.**

**Le non-respect de ces instructions peut causer un décès, un incendie ou un choc électrique.**

Avant de placer le réfrigérateur à son emplacement final, il est important de vous assurer d'avoir la connexion électrique appropriée.

**Méthode recommandée de mise à la terre**

Une source d'alimentation de 115 volts, 60 Hz, type 15 ou 20 amp CA seulement, protégée par fusible et adéquatement mise à la terre est nécessaire. Il est recommandé d'utiliser un circuit distinct pour alimenter uniquement votre réfrigérateur. Utiliser une prise murale qui ne peut être mise hors circuit à l'aide d'un commutateur. Ne pas utiliser de cordon de rallonge.

**IMPORTANT :** Si ce produit est connecté à une prise protégée par un disjoncteur de fuite à la terre, un déclenchement intempestif peut se produire et causer une perte de refroidissement. La qualité et la saveur des aliments risquent d'être affectées. Si un déclenchement intempestif se produit et si les aliments semblent de piètre qualité, jeter le tout.

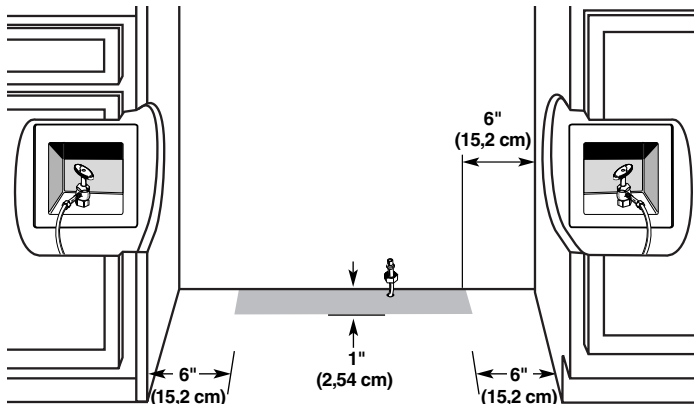
**REMARQUE :** Avant d'exécuter tout type d'installation, nettoyage ou remplacement d'une ampoule d'éclairage, enlever la grille supérieure et mettre l'interrupteur général d'alimentation à OFF (arrêt) ou déconnecter la source de courant électrique au boîtier de disjoncteurs.

Lorsque vous avez terminé, mettre l'interrupteur général d'alimentation à ON (marche) ou reconnecter la source de courant électrique au boîtier de disjoncteurs. Puis remettre la commande au réglage désiré.

## Spécifications de l'alimentation en eau

- Toutes les installations doivent être conformes aux exigences des codes locaux de plomberie.
- La canalisation d'alimentation en eau doit traverser le plancher à l'endroit de la zone grisée, tel qu'illustré.
- Le robinet d'arrêt doit se trouver dans le placard inférieur, d'un côté ou de l'autre du réfrigérateur ou à un autre endroit facilement accessible. Le côté droit est recommandé.

**REMARQUE :** Si un robinet d'arrêt se trouve dans un mur situé derrière le réfrigérateur, il n'y a pas suffisamment d'espace pour une installation en affleurement.



- Un trou de  $\frac{1}{2}$ " (12,7 mm) pour la plomberie doit être percé à 6" (15,2 cm) minimum du placard de gauche ou de droite ou du panneau. Sur le plancher, le trou ne doit pas se trouver à plus de 1" (2,54 cm) du mur arrière. Voir "Raccordement de la canalisation d'eau".
- Si un tube supplémentaire est nécessaire, utiliser un tube en cuivre et vérifier s'il y a des fuites. Installer les tuyaux en cuivre seulement là où les températures du domicile resteront au-dessus du point de congélation.
- Ne pas employer de robinet d'arrêt à étrier de  $\frac{3}{16}$ " (4,76 mm) ou de type à percer, ce qui réduit le débit d'eau et cause une obstruction plus facilement.

**REMARQUE :** Votre marchand de réfrigérateurs offre une trousse avec un robinet d'arrêt à étrier de  $\frac{1}{4}$ " (6,35 mm), un raccord et un tube en cuivre. Avant l'achat, s'assurer que le robinet d'arrêt à étrier est conforme aux codes locaux de plomberie.

## Pression de l'eau

Une alimentation en eau froide avec une pression entre 30 et 120 lb/po<sup>2</sup> (207 et 827 kPa) est nécessaire pour faire fonctionner le distributeur d'eau et la machine à glaçons. Si vous avez des questions au sujet de la pression de votre eau, appeler un plombier qualifié agréé.

### Alimentation en eau par osmose inverse

**IMPORTANT :** La pression de l'alimentation en eau entre le système d'osmose inverse et la valve d'arrivée d'eau du réfrigérateur doit être entre 30 et 120 lb/po<sup>2</sup> (207 à 827 kPa).

Si un système de purification de l'eau par osmose inverse est raccordé à votre alimentation en eau froide, la pression de l'eau au système doit être d'un minimum de 40 à 60 lb/po<sup>2</sup> (276 à 414 kPa).

Si la pression de l'eau au système d'osmose inverse est inférieure à 40 à 60 lb/po<sup>2</sup> (276 à 414 kPa) :

- Vérifier que le filtre à sédiments du système d'osmose inverse n'est pas bloqué et le remplacer si nécessaire.
- Laisser le réservoir du système d'osmose inverse se remplir après une utilisation intense.
- Si votre réfrigérateur a une cartouche de filtre à eau, celle-ci peut réduire encore plus la pression de l'eau lorsqu'elle est utilisée avec un système d'osmose inverse. Retirer la cartouche du filtre à eau.

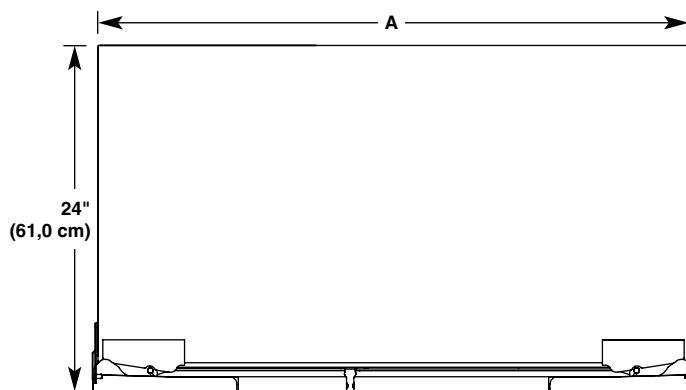
Si vous avez des questions au sujet de la pression de votre eau, appeler un plombier qualifié agréé.

## Dimensions du produit

### IMPORTANT :

- La profondeur entre l'avant des portes et l'arrière de la caisse du réfrigérateur est de 24" (60,96 cm) sans les panneaux.
- Le cordon d'alimentation mesure 84" (213 cm) de long.
- La canalisation d'alimentation en eau se trouve à l'avant du réfrigérateur.

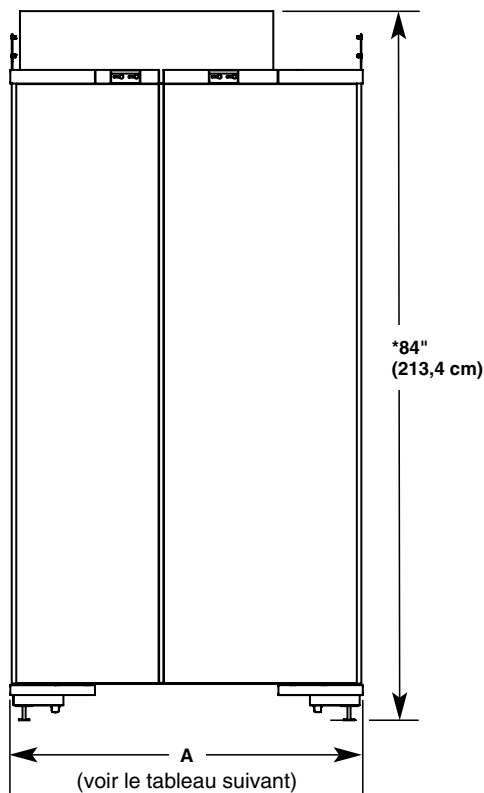
### Vue de dessus



Modèle	A
42	41 $\frac{3}{4}$ " (106 cm)
48	47 $\frac{3}{4}$ " (121,3 cm)

## Vue de face

- Les dimensions de la largeur ont été relevées d'une charnière à l'autre.



Modèle	Largeur A (du rebord d'une charnière au rebord de l'autre)
42	41 $\frac{3}{4}$ " (106 cm)
48	47 $\frac{3}{4}$ " (121,3 cm)

## Rayon de basculement

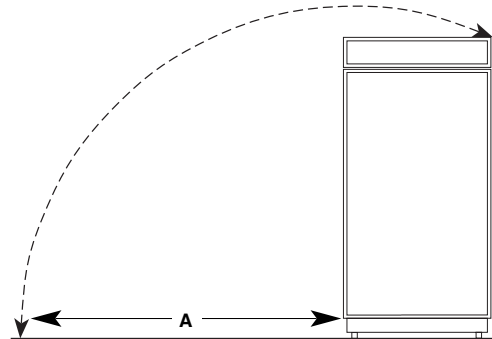
S'assurer que la hauteur du plafond est suffisante pour mettre le réfrigérateur en position verticale lorsqu'il est mis dans son emplacement.

- Si on utilise un chariot, on doit ajouter la hauteur des roues du chariot au rayon de basculement.
- Si nécessaire, on peut réduire le rayon de basculement. Voir la section "Réduction du rayon de basculement".

### Rayon de basculement latéral

Le rayon de basculement latéral varie en fonction de la largeur du modèle. Utiliser le tableau fourni pour déterminer le rayon de basculement latéral.

**REMARQUE :** Faire basculer sur le côté uniquement.

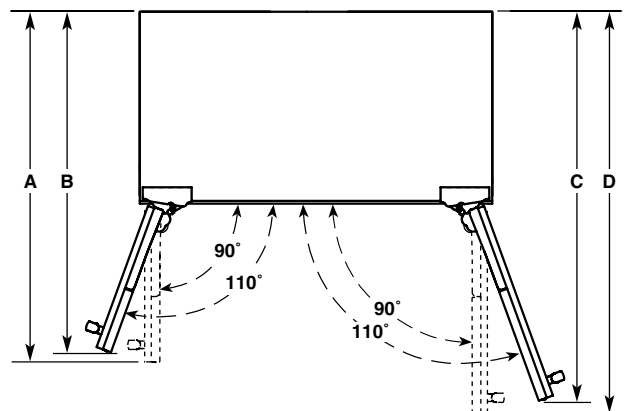


Modèle	Rayon de basculement A
42	91 $\frac{1}{8}$ " (232,1 cm)
48	94 $\frac{3}{8}$ " (239,7 cm)

## Dimensions pour le pivotement des portes

L'emplacement d'installation doit permettre l'ouverture des deux portes à un angle minimal de 90°. Laisser un espace libre d'au moins 4 $\frac{1}{2}$ " (11,4 cm) entre le côté du réfrigérateur et un mur d'angle.

**REMARQUE :** Un espace libre plus grand peut être nécessaire lors de l'emploi de panneaux de bois décoratifs personnalisés, poignées personnalisées ou poignées prolongées.



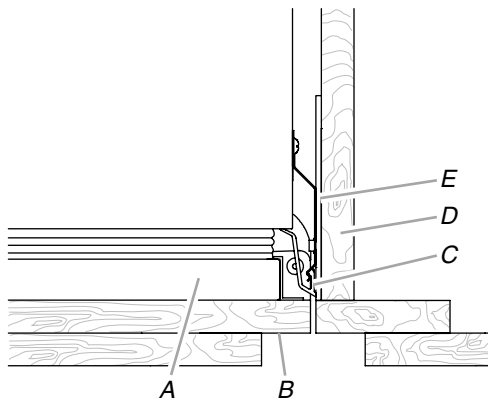
Modèle	A	B	C	D
42	40 $\frac{3}{4}$ " (103,5 cm)	39 $\frac{3}{4}$ " (101 cm)	45 $\frac{3}{8}$ " (115,3 cm)	46 $\frac{3}{4}$ " (118,8 cm)
48	43 $\frac{1}{4}$ " (109,9 cm)	42" (106,7 cm)	48 $\frac{3}{8}$ " (123,5 cm)	50 $\frac{1}{4}$ " (127,6 cm)



## Options d'installation du placard et du panneau

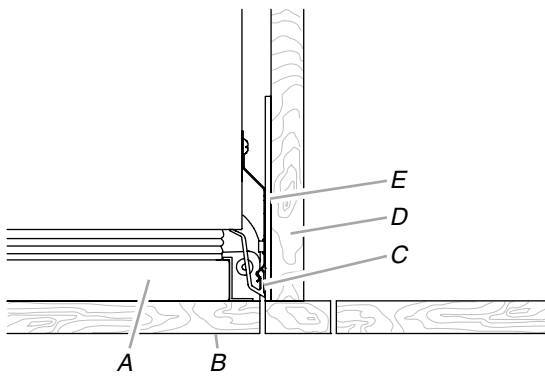
### Profondeur de placard - 25" (63,5 cm)

#### Meubles à encadrement Vue du dessus



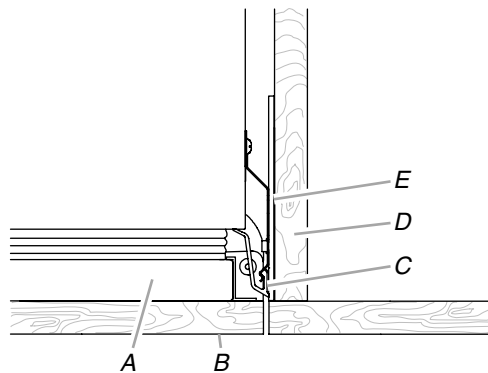
- A. Porte du réfrigérateur  
B. Panneau décoratif  
C. Garniture latérale  
D. Placard adjacent  
E. Support de grille

#### Vue du dessus - Inséré



- A. Porte du réfrigérateur  
B. Panneau décoratif  
C. Garniture latérale  
D. Placard adjacent  
E. Support de grille

#### Meubles sans encadrement

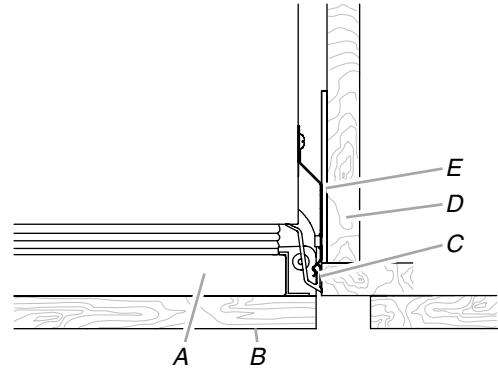


- A. Porte du réfrigérateur  
B. Panneau décoratif  
C. Garniture latérale  
D. Placard adjacent  
E. Support de grille

### Profondeur de placard - 24" (60,9 cm)

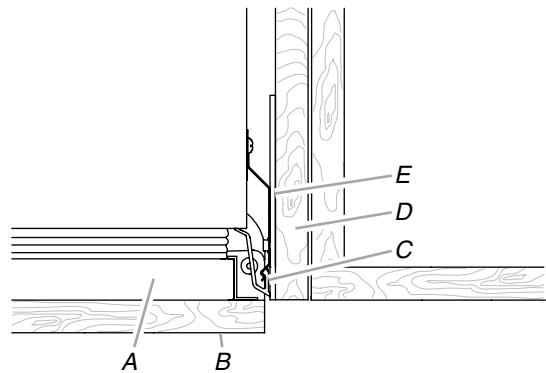
**REMARQUE :** Une installation en affleurement n'est pas possible avec une ouverture de 24" (60,9 cm) de profondeur.

#### Meubles à encadrement Vue du dessus



- A. Porte du réfrigérateur  
B. Panneau décoratif  
C. Garniture latérale  
D. Placard adjacent  
E. Support de grille

#### Meubles sans encadrement Vue du dessus



- A. Porte du réfrigérateur  
B. Panneau décoratif  
C. Garniture latérale  
D. Placard adjacent  
E. Support de grille

## Exigences d'une installation totalement intégrée

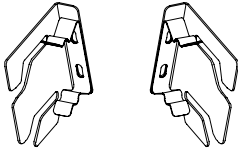
Le réfrigérateur peut être intégralement totalement intégrée si les meubles adjacents satisfont aux conditions de circulation d'air essentielles au bon fonctionnement du réfrigérateur.

### IMPORTANT :

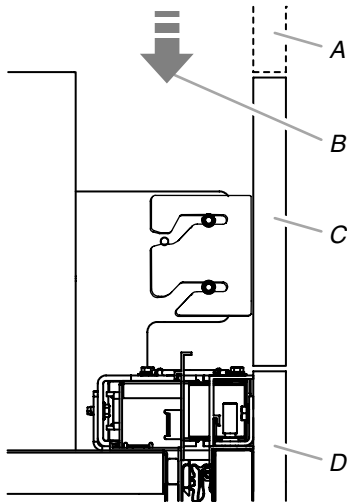
- Une installation standard et totalement intégrée peut être réalisée avec une ouverture d'encastrement de 24" (60,9 cm) ou de 25" (63,5 cm) de profondeur.
- Une grille de pleine hauteur est utilisée pour réaliser une installation totalement intégrée. Utiliser le support de grille intégré (fourni) pour fixer la grille de pleine hauteur.

**REMARQUE :** Un panneau de remplissage de la grille supérieure n'est pas nécessaire avec une grille de pleine hauteur.

### Support de grille intégrée



### Installation totalement intégrée - Vue latérale



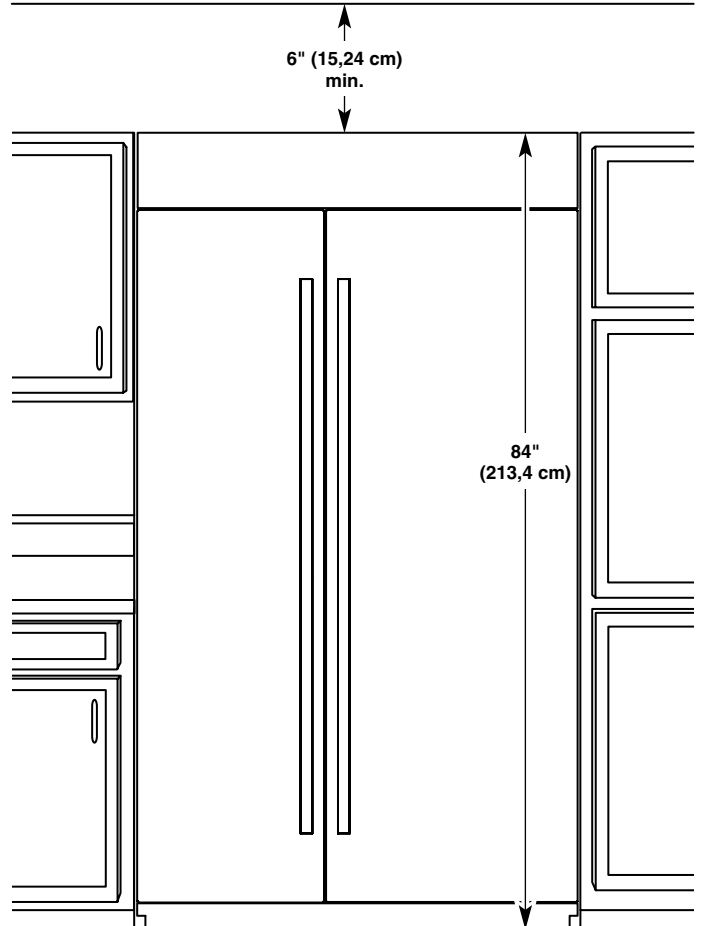
A. Avant décoratif (facultatif)  
B. Circulation d'air

C. Grille de pleine hauteur  
D. Panneau de porte

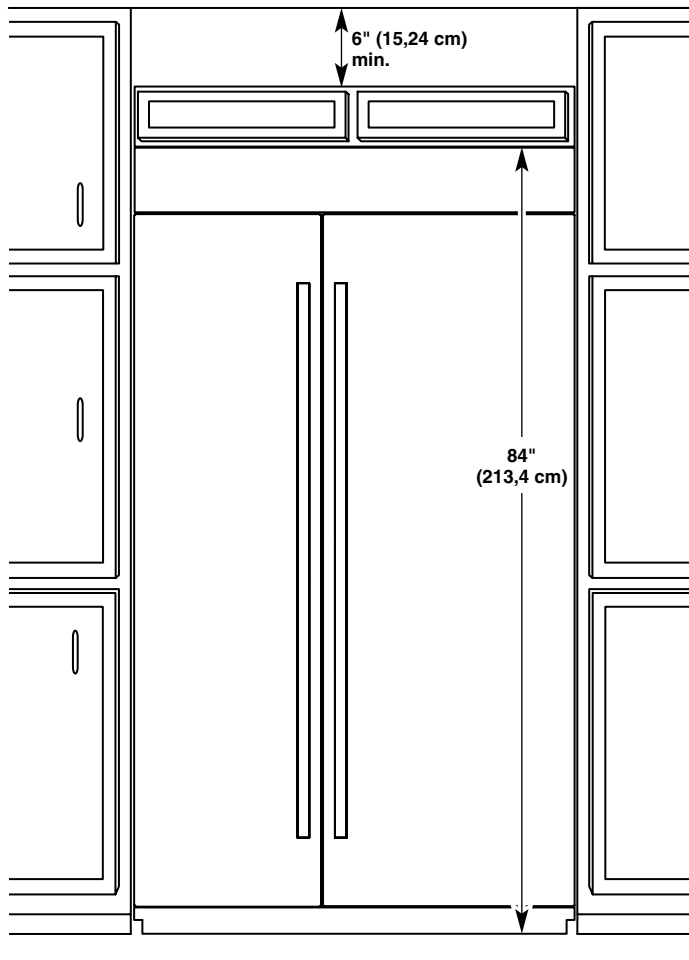
### Exigences de circulation d'air pour l'aération

Les installations totalement intégrées exigent un dégagement de 6" (15,24 cm) au moins au-dessus du réfrigérateur. Cet espace doit être totalement dégagé, notamment d'éventuels soffites.

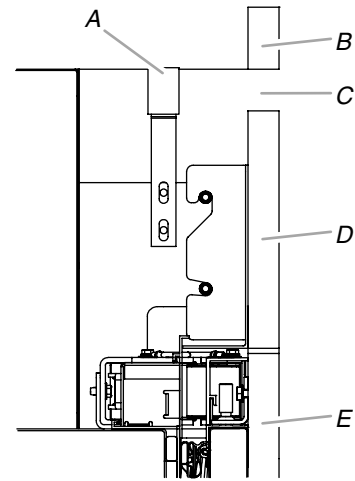
#### Option 1 - Ouverture vers le plafond



## Option 2 - Avant décoratif (façade de meuble uniquement)

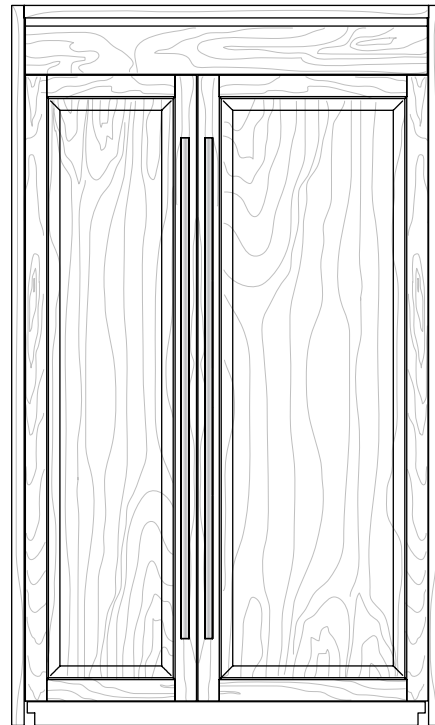


## Installation standard - Vue latérale



- A. Panneau de remplissage de la grille supérieure  
B. Soffite  
C. Circulation d'air  
D. Panneau de la grille  
E. Panneau de porte

## Installation standard - Vue complète du produit

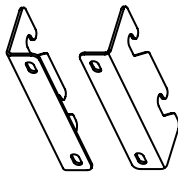


## Spécifications pour installation standard d'un panneau en bois

### IMPORTANT:

- Une installation standard peut être réalisée soit avec une ouverture de 24" (60,9 cm) ou de 25" (63,5 cm) de profondeur.
- Une grille standard est utilisée pour réaliser une installation standard. Utiliser le support de grille standard (fourni avec le réfrigérateur) pour fixer la grille standard.
- La hauteur du panneau de grille, illustré dans l'image de la section Installation standard - Grille affleurante, assure une circulation d'air essentielle au bon fonctionnement du réfrigérateur.

### Supports pour grille standard



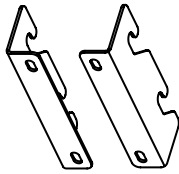
## Spécifications pour l'installation de l'ensemble de panneaux

Voir la section "Modèles" pour voir les options de l'ensemble de panneaux disponibles avec votre modèle.

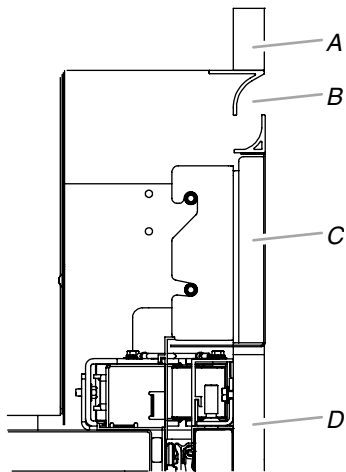
### IMPORTANT:

- Une installation avec ensemble de panneaux peut être réalisée avec une ouverture de 24" (60,9 cm) ou de 25" (63,5 cm) de profondeur.
- Pour réaliser une installation avec ensemble de panneaux, on doit utiliser une grille standard. Utiliser le support de grille standard (fourni avec le réfrigérateur) pour fixer la grille standard.
- La hauteur du panneau de grille, illustré dans l'image de la section Installation standard - Grille affleurante, assure une circulation d'air essentielle au bon fonctionnement du réfrigérateur.

### Support de grille standard

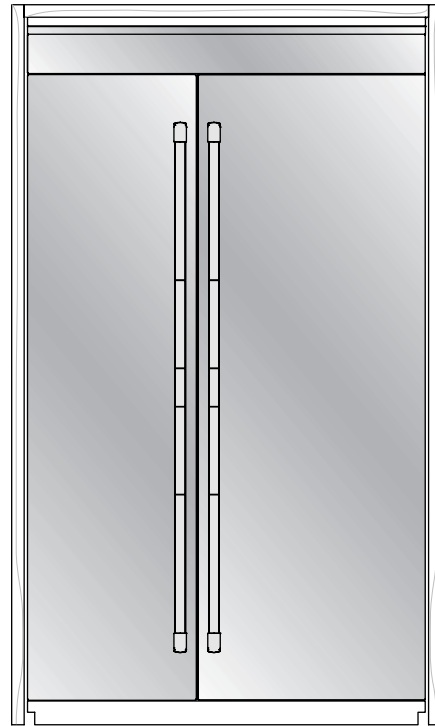


### Installation de l'ensemble de panneau - Vue latérale



A. Soffite  
B. Circulation d'air  
C. Panneau de la grille  
D. Panneau de porte

### Installation de l'ensemble de panneau Vue complète du produit



## Panneaux de bois décoratifs personnalisés

Les panneaux de bois décoratifs personnalisés permettent d'harmoniser l'extérieur du réfrigérateur avec l'ensemble du décor de la cuisine et d'utiliser des poignées personnalisées pour une plus grande souplesse de design.

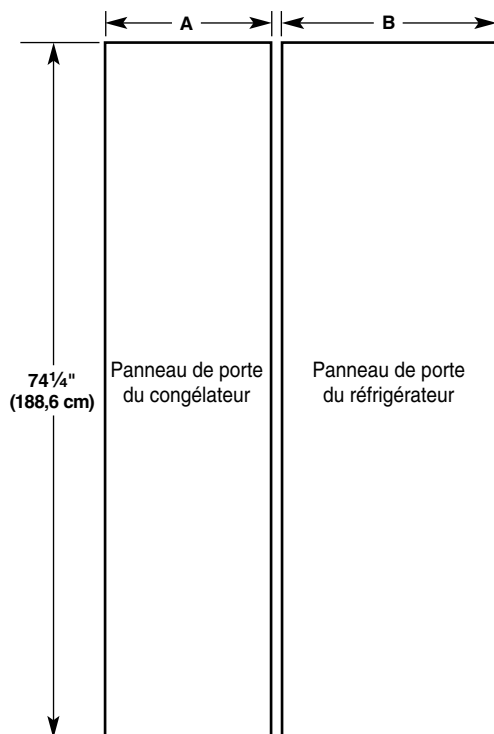
Dans certains cas, le fabricant des placards peut préférer travailler avec un seul panneau usiné pour différentes dimensions. Suivre les instructions relatives aux dimensions et au placement du panneau pour s'assurer que les panneaux décoratifs de bois personnalisés conviendront parfaitement.

### IMPORTANT :

- Le poids du panneau de bois décoratif de la porte du réfrigérateur ne doit pas excéder 66 lb (29,9 kg) pour les modèles de 48" ou 65 lb (29,5 kg) pour les modèles de 42".
- Le poids du panneau de bois décoratif de la porte du congélateur ne doit pas excéder 50 lb (23 kg) pour les modèles de 48" ou 49 lb (22,2 kg) pour les modèles de 42".
- Le poids du panneau de bois décoratif de la grille supérieure ne doit pas excéder 8 lb (3,6 kg) pour les modèles de 48" ou 7 lb (3,2 kg) pour les modèles de 42".
- L'épaisseur nécessaire pour tous les panneaux est de 3/4" (1,91 cm).
- Cette installation ne nécessite pas de panneaux de remplissage ni de panneaux d'appui.

## Dimensions des panneaux de bois décoratif décoratifs

### Panneaux de porte



#### ▲ MISE EN GARDE

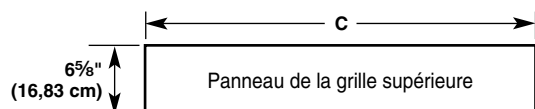
##### Risque de pincement

L'installation de panneaux de porte avec un espacement de moins de  $\frac{3}{8}$ " (0,95 cm) entre le panneau de porte et le placard adjacent augmente le risque de pincement potentiel.

Mo-dèle	42		48	
Es-pace	$\frac{3}{8}$ "	$\frac{1}{8}$ "	$\frac{3}{8}$ "	$\frac{1}{8}$ "
A	17 $\frac{9}{16}$ " (44,61 cm)	17 $\frac{13}{16}$ " (45,24 cm)	20 $\frac{1}{16}$ " (50,96 cm)	20 $\frac{5}{16}$ " (50,17 cm)
B	23 $\frac{3}{16}$ " (59,85 cm)	23 $\frac{13}{16}$ " (60,48 cm)	27 $\frac{1}{16}$ " (68,74 cm)	27 $\frac{5}{16}$ " (69,37 cm)

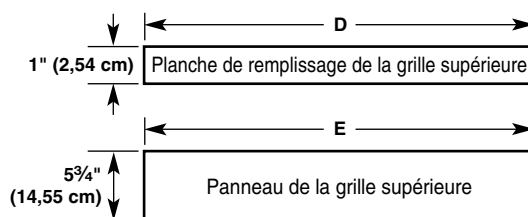
### Panneau de la grille

#### Installation intégrée - Grille de pleine hauteur - Soffite ouvert



Mo-dèle	42		48	
Retrait	$\frac{3}{8}$ "	$\frac{1}{8}$ "	$\frac{3}{8}$ "	$\frac{1}{8}$ "
C	41 $\frac{1}{4}$ " (104,76 cm)	41 $\frac{3}{4}$ " (106,05 cm)	47 $\frac{1}{4}$ " (120,02 cm)	47 $\frac{3}{4}$ " (121,29 cm)

#### Installation standard - Grille affleurante - Soffite ouvert ou fermé



Mo-dèle	42		48	
Retrait	$\frac{3}{8}$ "	$\frac{1}{8}$ "	$\frac{3}{8}$ "	$\frac{1}{8}$ "
D	41 $\frac{1}{4}$ " (104,76 cm)	41 $\frac{3}{4}$ " (106,05 cm)	47 $\frac{1}{4}$ " (120,02 cm)	47 $\frac{3}{4}$ " (121,29 cm)
E	41 $\frac{1}{4}$ " (104,76 cm)	41 $\frac{3}{4}$ " (106,05 cm)	47 $\frac{1}{4}$ " (120,02 cm)	47 $\frac{3}{4}$ " (121,29 cm)

**IMPORTANT :** La hauteur du panneau de grille, illustré dans l'image de la section Installation standard - Grille affleurante, assure une circulation d'air essentielle au bon fonctionnement du réfrigérateur.

## INSTRUCTIONS D'INSTALLATION

### Déballage du réfrigérateur

#### ▲ AVERTISSEMENT



##### Risque de basculement

Le réfrigérateur est lourd au sommet et bascule facilement lorsqu'il n'est pas complètement installé.

Garder les portes fermées avec un ruban adhésif jusqu'à l'installation complète du réfrigérateur.

Utiliser deux ou plus de personnes pour déplacer et installer le réfrigérateur.

Le non-respect de ces instructions peut causer un décès ou une blessure grave.

#### IMPORTANT :

- Ne pas ôter la pellicule avant que le réfrigérateur ne soit à la position de service.
  - Les quatre pieds de réglage de l'aplomb doivent toucher le plancher pour supporter et stabiliser le poids total du réfrigérateur.
  - Garder la pièce de carton ou de contreplaqué d'expédition sous le réfrigérateur jusqu'à son installation à l'emplacement de service.
1. Retirer et conserver le sachet de documents et de matériel à l'intérieur du réfrigérateur. Enlever et conserver la documentation, la grille et la garniture fixées à l'extérieur du réfrigérateur par du ruban adhésif.

**REMARQUE :** Ne pas enlever les rubans adhésifs et articles d'arrimage des portes avant que le réfrigérateur ne soit placé à sa position finale.

## Faire entrer le réfrigérateur dans le domicile

### ⚠ AVERTISSEMENT



#### Risque de basculement

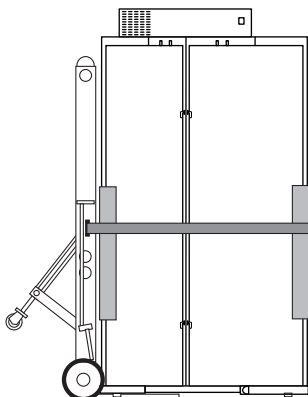
**Le réfrigérateur est lourd au sommet et bascule facilement lorsqu'il n'est pas complètement installé.**

**Garder les portes fermées avec un ruban adhésif jusqu'à l'installation complète du réfrigérateur.**

**Utiliser deux ou plus de personnes pour déplacer et installer le réfrigérateur.**

**Le non-respect de ces instructions peut causer un décès ou une blessure grave.**

1. Introduire un chariot de manipulation sous le côté gauche du réfrigérateur, tel qu'illustré. Placer les coins de protection de l'emballage sur les garnitures comme il convient. Serrer lentement la sangle.



2. Placer des pièces de carton d'expédition sur le plancher lorsqu'on utilise un chariot pour faire entrer le réfrigérateur dans le domicile. Déplacer le réfrigérateur près de la cavité d'encastrement.
3. Placer une feuille de carton ou de contreplaqué sous le réfrigérateur.
4. Mettre le réfrigérateur en position verticale. Placer d'abord le bord inférieur gauche du réfrigérateur sur le plancher, puis mettre le réfrigérateur debout et abaisser ensuite le côté droit du réfrigérateur sur le plancher.
5. Réinstaller la garniture et la grille supérieure après avoir retiré le chariot du réfrigérateur.

## Installation de planches antibasculement

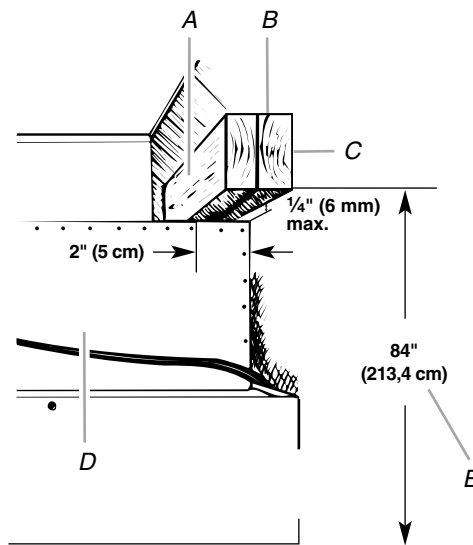
### IMPORTANT :

- Si aucun soffite plein n'est disponible, une planche antibasculement doit être installée.
- On recommande la mise en place d'une ou de plusieurs planches avant l'installation du réfrigérateur.
- Il faut que la ou les planches soit(soient) assez longue(s) pour recouvrir complètement le couvercle du compresseur sur toute la largeur.

- Positionner la ou les planches de telle manière que la/les surface(s) inférieure(s) soit/soient à 84" (213 cm) du plancher.
- Durant l'installation, soulever le réfrigérateur jusqu'à ce que le sommet du réfrigérateur soit en contact avec le bas de la/des planche(s) antibasculement. Veiller à ne pas écraser le couvercle du compresseur lors du soulèvement des pieds de réglage de l'aplomb arrière.

### Installation des planches antibasculement

1. Marquer la position des poteaux de colombage sur le mur arrière de 80" à 90" (203 à 229 cm) au-dessus du plancher.
2. Fixer solidement une ou deux planches de 2" x 4" x 32" (5 cm x 10 cm x 81 cm) sur les poteaux de colombage derrière le réfrigérateur. Utiliser 6 vis à bois n° 8 x 3" (7,6 cm) (ou plus longues). Les vis à bois doivent pénétrer dans les poteaux d'au moins 1 1/2" (3,8 cm). La ou les planche(s) doit (doivent) être placée(s) en chevauchement sur le couvercle du compresseur.



- A. Centrer la planche à un maximum de 1/4" (6,35 mm) au-dessus du réfrigérateur.
- B. Deux planches de 2" x 4" x 32" (5 cm x 10 cm x 81 cm)
- C. Fixer aux poteaux avec 6 vis n° 8 x 3" (7,6 cm)
- D. Couvercle du compresseur
- E. Distance entre le bas de la planche antibasculement et le plancher

## Raccordement à l'alimentation en eau

Lire toutes les instructions avant de commencer.

**IMPORTANT :** Si l'on doit mettre en marche le réfrigérateur avant que la canalisation d'eau ne soit connectée, placer la machine à glaçons à OFF (arrêt).

### Raccordement à la canalisation d'eau

#### Pièces nécessaires :

- Canalisation flexible d'alimentation en eau approuvée par les codes en vigueur de 7 pi (2,13 m) minimum

#### Style 1 – Connexion avec robinet d'arrêt

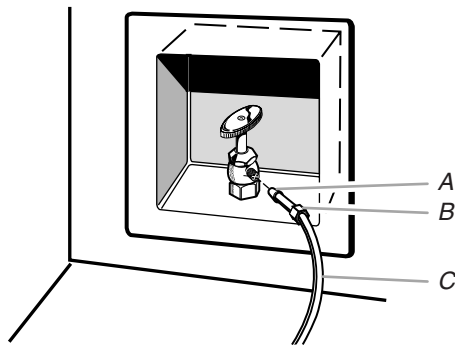
**REMARQUE :** Si le raccordement de la canalisation d'eau ne ressemble pas au Style 1, voir "Style 2 – Raccordement de la canalisation en cuivre".

1. Débrancher le réfrigérateur ou déconnecter la source de courant électrique.

**IMPORTANT :** Avant de raccorder le tube au robinet d'arrêt, rincer la canalisation d'eau principale pour éliminer l'air et les débris qui s'y trouvent. Laisser s'écouler une quantité d'eau suffisante, jusqu'à ce qu'elle soit limpide. Le rinçage de la canalisation d'eau peut permettre d'éviter l'obstruction des filtres et/ou celle des robinets.

- Raccorder la canalisation flexible d'alimentation en eau approuvée par les codes en vigueur au robinet d'arrêt en enfilant l'écrou fourni sur le robinet d'arrêt, tel qu'illustré.

**REMARQUE :** Tel que recommandé, le robinet d'arrêt se trouve dans le placard latéral à l'illustration.



A. Renflement  
B. Écrou  
C. Tuyau d'eau

- Placer l'extrémité du tube dans un seau et OUVRIER le robinet d'arrêt.
- Vérifier qu'il n'y a pas de fuites. Si des fuites sont identifiées, resserrer tous les écrous ou connexions concernés (y compris les connexions au niveau du robinet).

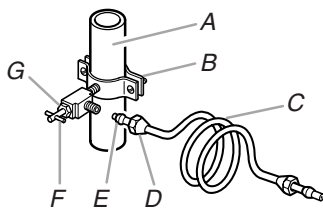
### Style 2 – Raccordement de la canalisation d'eau en cuivre

**REMARQUE :** S'il y a une canalisation d'alimentation en eau qui satisfait aux "Exigences d'alimentation en eau", passer à "Raccordement au réfrigérateur". Si ce n'est pas le cas, utiliser les instructions suivantes pour le raccordement à l'alimentation d'eau froide du domicile.

- Débrancher le réfrigérateur ou déconnecter la source de courant électrique.
- FERMER le robinet principal d'alimentation en eau. OUVRIER le robinet le plus proche pendant une période suffisante pour purger toute l'eau de la canalisation.
- Identifier une canalisation d'eau froide verticale de 1/2" à 1 1/4" (1,25 cm à 3,18 cm) à proximité du réfrigérateur.

#### IMPORTANT :

- Vérifier qu'il s'agit d'une canalisation d'eau froide.
  - On peut aussi utiliser une canalisation horizontale; dans ce cas, on devra percer sur la face supérieure du tuyau et non pas au-dessous. Ceci permet de tenir la perceuse à l'écart de l'eau et d'empêcher les sédiments qu'on trouve normalement dans l'eau de s'accumuler dans le robinet d'arrêt.
- Déterminer la longueur de tube de cuivre à utiliser. Mesurer depuis le point de connexion (angle inférieur arrière gauche du réfrigérateur) à la canalisation d'eau. Ajouter 7 pi (2,1 m) pour permettre les opérations de nettoyage. Utiliser un tube en cuivre de 1/4" (6,35 mm) de diamètre extérieur. Veiller à ce que le tube soit coupé d'équerre aux deux extrémités.
  - À l'aide d'une perceuse sans fil, percer un trou de 1/4" (6,35 mm) dans la canalisation d'eau froide choisie.



A. Canalisation d'eau froide  
B. Bride de tuyau  
C. Tube en cuivre  
D. Écrou de compression  
E. Bague de compression  
F. Robinet d'arrêt  
G. Écrou de serrage

- Fixer le robinet d'arrêt sur la canalisation d'eau froide avec la bride de tuyau. Vérifier que l'extrémité du raccord du robinet est bien engagée dans le trou de 1/4" (6,35 mm) percé dans la canalisation et que la rondelle d'étanchéité se trouve sous la bride du tuyau. Serrer l'écrou de serrage. Serrer lentement et uniformément les vis fixant la bride de tuyau sur le tuyau afin d'assurer l'étanchéité du joint. Ne pas serrer excessivement.

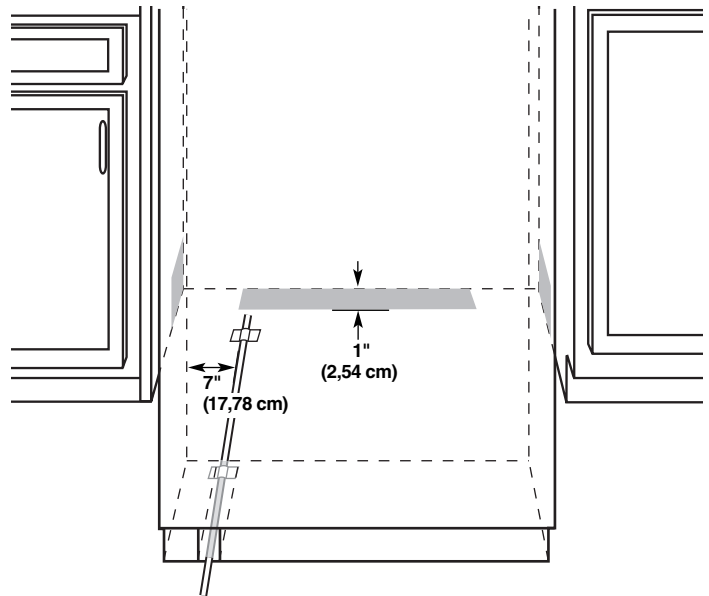
**IMPORTANT :** Avant de raccorder le tube au robinet d'arrêt, rincer la canalisation d'eau principale pour éliminer l'air et les débris qui s'y trouvent. Laisser s'écouler une quantité d'eau suffisante, jusqu'à ce qu'elle soit limpide. Le rinçage de la canalisation d'eau peut permettre d'éviter l'obstruction des filtres et/ou celle des robinets.

- Enfiler la bague et l'écrou de compression sur le tube en cuivre tel qu'illustré. Insérer l'extrémité du tube directement dans l'extrémité de sortie, aussi loin que possible. Visser l'écrou de compression sur l'extrémité de sortie du raccord à l'aide d'une clé à molette. Ne pas serrer excessivement la bride ou la bague. Ceci provoquera l'écrasement du tube de cuivre.
- Fermer le robinet d'arrêt de la canalisation d'eau. Lover le tube de cuivre.
- Raccorder la canalisation flexible d'alimentation en eau approuvée par les codes en vigueur au robinet d'arrêt en enfilant l'écrou fourni sur le robinet d'arrêt.
- Placer l'extrémité du tube dans un seau et OUVRIER le robinet d'arrêt.
- Inspecter pour rechercher des fuites au niveau du robinet d'arrêt à étrier. Si des fuites sont identifiées, resserrer tous les écrous ou connexions concernés (y compris les connexions au niveau du robinet).

### Raccordement au réfrigérateur

#### Pièces fournies :

- Raccord mâle-mâle 1/4" - 1/4" (6,35 mm - 6,35 mm)



**REMARQUE :** La canalisation flexible d'alimentation en eau approuvée par les codes en vigueur peut être raccordée au robinet d'alimentation en eau par le plancher ou par les placards latéraux, tel qu'indiqué dans les encadrés gris ci-dessus.

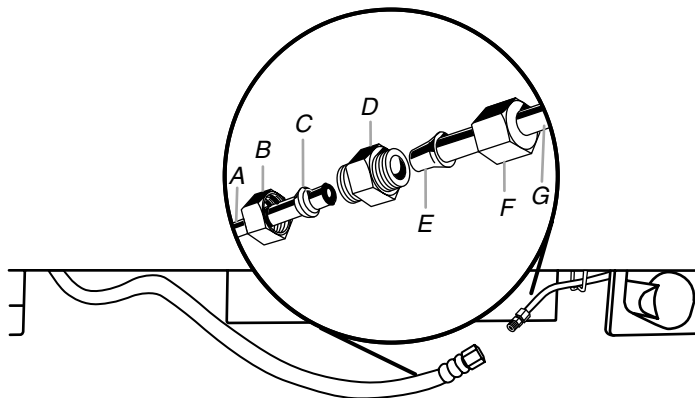
- Débrancher le réfrigérateur ou déconnecter la source de courant électrique.
- Raccorder le tube flexible de 7 pi (2,13 m) approuvé par les codes en vigueur au robinet d'alimentation en eau.
- Rincer la canalisation d'alimentation en eau principale pour éliminer les particules et l'air présents dans la canalisation d'eau. Laisser s'écouler une quantité d'eau suffisante, jusqu'à ce qu'elle soit limpide.

4. Avec du ruban adhésif, fixer la canalisation flexible d'alimentation en eau approuvée par les codes en vigueur de 7 pi (2,13 m) au plancher, à 7" (17,78 cm) du côté gauche du réfrigérateur. La fixer le long du tube avec du ruban adhésif; ceci lui permet ainsi de passer sous le réfrigérateur sans rencontrer d'obstacle.

**REMARQUE :** Laisser pendre un minimum de 26" (66,04 cm) de la canalisation flexible d'alimentation en eau approuvée par les codes en vigueur à l'avant du réfrigérateur pour le raccordement au réfrigérateur.

5. Raccorder la canalisation flexible d'alimentation en eau approuvée par les codes en vigueur de 7 pi (2,13 m) au réfrigérateur.

**REMARQUE :** Si le robinet d'arrêt principal se trouve derrière le réfrigérateur, un deuxième robinet d'arrêt peut être installé en ligne directe avec la canalisation d'alimentation en eau, à l'avant du produit.



- |                             |                                 |
|-----------------------------|---------------------------------|
| A. Canalisation du domicile | E. Renflement                   |
| B. Écrou (à acheter)        | F. Écrou                        |
| C. Virole (à acheter)       | G. Tuyau d'eau du réfrigérateur |
| D. Raccord                  |                                 |

6. Ouvrir l'alimentation en eau et inspecter tous les raccords pour identifier toute fuite éventuelle.

## Brancher le réfrigérateur

### ⚠ AVERTISSEMENT



#### Risque de choc électrique

**Brancher sur une prise à 3 alvéoles reliée à la terre.**

**Ne pas enlever la broche de liaison à la terre.**

**Ne pas utiliser un adaptateur.**

**Ne pas utiliser un câble de rallonge.**

**Le non-respect de ces instructions peut causer un décès, un incendie ou un choc électrique.**

1. Régler l'interrupteur de commande de la partie supérieure de la caisse à la position OFF (arrêt).
2. Brancher sur une prise à 3 alvéoles reliée à la terre.

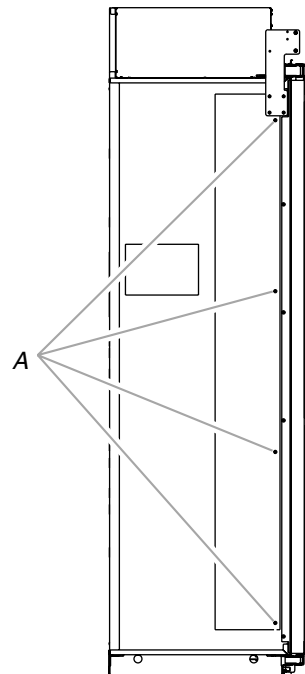
## Installation des garnitures latérales

Les garnitures latérales couvrent l'espace entre le réfrigérateur et les placards adjacents. Une garniture est fixée de chaque côté du réfrigérateur. Installer chaque garniture sur le côté du réfrigérateur auquel il est fixé.

1. Retirer le ruban adhésif fixant chaque garniture latérale à la réfrigérateur. Conserver les garnitures à part.

**IMPORTANT :** Pour les installations comprenant des panneaux de bois personnalisés avec un écart de 1/8", la région de la garniture en forme d'ampoule entrera en contact avec les panneaux. Entailler chaque garniture à la base de la région en forme d'ampoule puis retirer et jeter la section concernée. Voir l'illustration avec vue du dessus plus loin dans cette section.

2. Retirer les quatre vis du côté du placard du réfrigérateur.

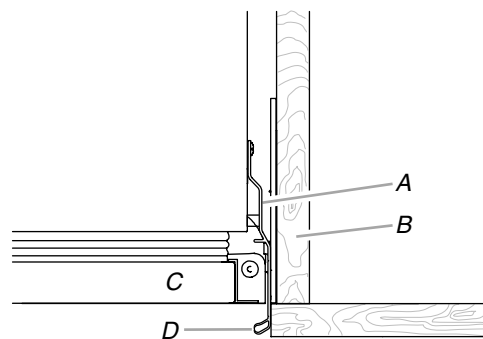


A. Vis de la garniture latérale

3. En utilisant les trous d'origine et les vis retirées à l'étape 2, fixer la garniture latérale au placard du réfrigérateur.

**REMARQUE :** S'assurer de fixer chaque garniture sur le côté du placard du réfrigérateur dont elle a été retirée. Le renflement doit être en avant avec l'encoche sur le dessus, tel qu'illustré.

#### Vue du dessus



- A. Garniture latérale  
 B. Placard adjacent  
 C. Porte  
 D. Région en forme d'ampoule



## Déplacement du réfrigérateur à son emplacement définitif

### **⚠ AVERTISSEMENT**



#### Risque de basculement

Le réfrigérateur est lourd au sommet et bascule facilement lorsqu'il n'est pas complètement installé.

Garder les portes fermées avec un ruban adhésif jusqu'à l'installation complète du réfrigérateur.

Utiliser deux ou plus de personnes pour déplacer et installer le réfrigérateur.

Le non-respect de ces instructions peut causer un décès ou une blessure grave.

#### IMPORTANT :

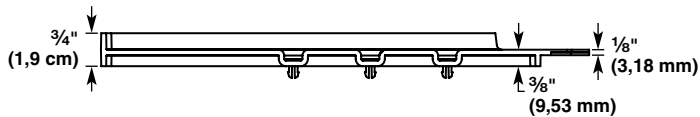
- Avant de déplacer le réfrigérateur, vérifier que les pieds sont relevés (aucun contact avec le plancher) et que le réfrigérateur repose sur ses roulettes afin d'éviter d'endommager le plancher.

Utiliser comme référence la cale d'installation, fixée à la charnière de porte, pour vérifier que le réfrigérateur est poussé suffisamment loin dans son ouverture, de sorte que les panneaux une fois installés affleurent avec les placards adjacents.

**REMARQUE :** Une installation en affleurement n'est pas possible avec une ouverture de 24" (60,9 cm) de profondeur.

- Une fois le réfrigérateur à niveau et aligné, retirer la cale d'installation de la charnière de porte et l'utiliser pour vérifier l'espace entre les panneaux et les placards adjacents.

**REMARQUE :** La cale d'installation est conçue pour assurer un espacement précis de  $\frac{3}{4}$ " (1,9 cm),  $\frac{3}{8}$ " (9,53 mm) et  $\frac{1}{8}$ " (3,18 mm).

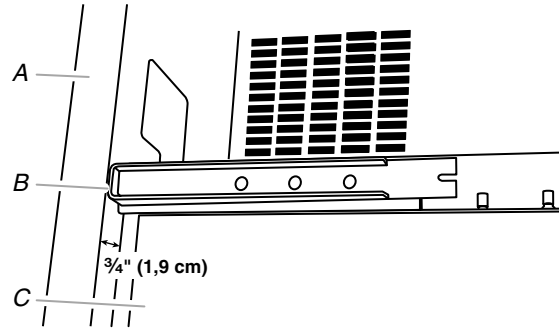


1. Placer le dessus du carton ou du contreplaqué sous le réfrigérateur. Retirer le chariot.
2. Replacer le réfrigérateur en ligne droite dans l'ouverture; le placer de façon à ce que les dégagements autour de l'appareil soient uniformes. S'assurer que le tuyau d'eau n'est pas déformé et que le cordon d'alimentation se trouve sur le dessus du réfrigérateur.

**REMARQUE :** Si le cordon d'alimentation se trouve derrière le réfrigérateur, on ne pourra pas l'installer correctement.

3. S'assurer que la cale d'installation affleure avec les placards adjacents.

**REMARQUE :** Pour réussir une installation en affleurement, il est essentiel de respecter une profondeur de  $\frac{3}{4}$ " (1,9 cm) entre l'avant du placard adjacent et le réfrigérateur.



- A. Placard ou mur adjacent
- B. Cale d'installation
- C. Avant du réfrigérateur

## Réglage de l'aplomb et alignement du réfrigérateur

### **⚠ AVERTISSEMENT**



#### Risque de basculement

Le réfrigérateur est lourd au sommet et bascule facilement lorsqu'il n'est pas complètement installé.

Garder les portes fermées avec un ruban adhésif jusqu'à l'installation complète du réfrigérateur.

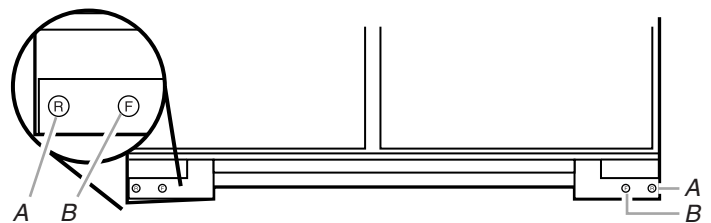
Utiliser deux ou plus de personnes pour déplacer et installer le réfrigérateur.

Le non-respect de ces instructions peut causer un décès ou une blessure grave.

**IMPORTANT :** Les quatre pieds de réglage de l'aplomb doivent toucher le plancher pour supporter et stabiliser le poids total du réfrigérateur. Les roulettes ne sont utilisées que pour le déplacement du réfrigérateur, et non pas pour un soutien permanent.

Après avoir déplacé le réfrigérateur jusqu'à sa position de service finale :

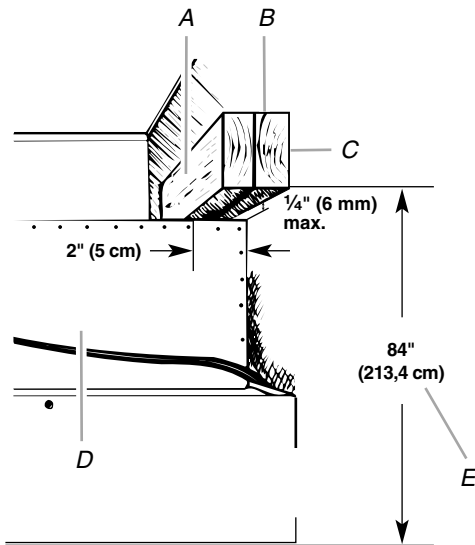
1. Utiliser une clé à douille de  $\frac{5}{16}$ " pour faire tourner les boulons de réglage de l'aplomb dans le sens horaire et déployer les pieds vers le plancher (voir illustration). Les roulettes ne doivent plus être en contact avec le plancher.



- A. Boulon de réglage de l'aplomb (arrière)
- B. Boulon de réglage de l'aplomb (avant)

2. Ajuster les pieds de réglage de l'aplomb et établir l'aplomb du réfrigérateur de gauche à droite et d'avant en arrière de façon à ce qu'il soit d'aplomb et aligné avec les placards.
3. Poursuivre l'ajustement de tous les pieds de nivellement pour soulever le réfrigérateur jusqu'à ce que la partie supérieure se situe à au moins  $\frac{1}{4}$ " (6,35 mm) du soffite supérieur tel qu'illustré.

**REMARQUE :** Si une planche antibasculement a été utilisée, ajuster les pieds de nivellement jusqu'à ce que le sommet du réfrigérateur soit en contact avec le bas de la/des planche(s) anti-basculement. Ne pas écraser le couvercle du compresseur.



- A. Centrer la planche (maximum de  $\frac{1}{4}$ " ([6,35 mm]) au-dessus du réfrigérateur
- B. Deux planches de 2" x 4" x 32" (5 cm x 10 cm x 81 cm)
- C. Fixer aux poteaux avec six vis n°8 x 3" (7,6 cm)
- D. Couvercle du compresseur
- E. Distance entre le bas de la planche anti-basculement et le plancher

**IMPORTANT :** Ajuster par petits à-coups pour éviter d'endommager la garniture du placard et causer des problèmes d'alignement de la porte ou d'insertion de la grille supérieure. Pour éviter d'endommager le placard ou les pieds de réglage de l'aplomb, ne pas appliquer sur les boulons un couple supérieur à 50 lb/po (5,65 Nm). Les pieds de réglage de l'aplomb peuvent être déployés à un maximum de  $\frac{1}{4}$ " (3,18 cm) au-dessous des roulettes.

4. Après avoir établi l'aplomb du réfrigérateur, utiliser une barre ou un tasseau de niveau ou placer un niveau de 4 pi devant l'emplacement d'installation du réfrigérateur et les placards pour vérifier que le réfrigérateur est toujours en affleurement.

## Installation du réfrigérateur et des panneaux

**IMPORTANT :** Jenn-Air n'est pas responsable des opérations d'enlèvement et de réinstallation des moultures ou panneaux de bois décoratifs qui entraveraient l'accès au réfrigérateur lors d'une intervention d'entretien ou de réparation.

### Installation du panneau de remplissage de la grille supérieure (installation standard uniquement)

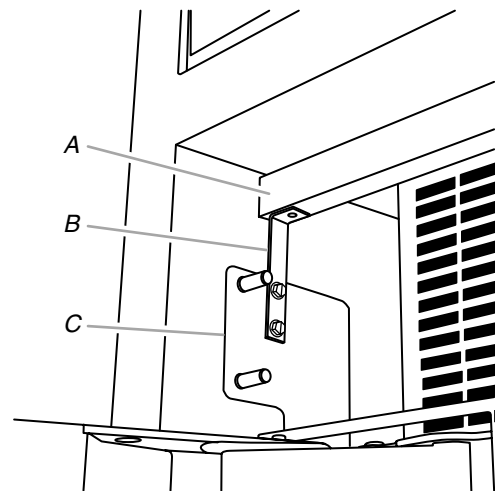
**IMPORTANT :** Le panneau de la grille est suffisamment haut pour permettre la circulation d'air nécessaire au bon rendement du réfrigérateur. Le panneau de remplissage de la grille supérieure dissimule le couvercle du compartiment supérieur, derrière la grille supérieure. Si l'utilisateur choisit de modifier les dimensions recommandées pour le panneau de la grille, le rendement de l'appareil peut être compromis.

### Modèles avec panneau de bois personnalisé

1. Dans le panneau de remplissage en bois personnalisé (1" x largeur du panneau de la grille), percer un trou à  $\frac{1}{16}$ " de chaque côté.

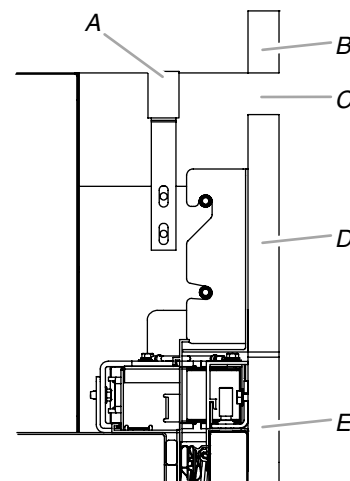
**REMARQUE :** S'assurer que le trou est bien centré dans le morceau de bois de 1" d'épaisseur.

2. À l'aide des vis à tête hexagonale fendue (fournies avec le réfrigérateur), fixer un support en "L" à chaque extrémité du panneau de remplissage en bois.
3. À l'aide des vis à tête hexagonale (fournies avec le réfrigérateur), fixer les supports en "L" aux platines de montage de la grille supérieure.
4. Ajuster les supports en "L" de manière à ce que le panneau de remplissage en bois affleure avec le fond du soffite. Serrer complètement les vis.



- A. Panneau de remplissage en bois personnalisé
- B. Support en "L"
- C. Platine de montage de la grille

### Vue latérale



- A. Panneau de remplissage de la grille supérieure
- B. Soffite
- C. Circulation d'air
- D. Panneau de la grille
- E. Panneau de porte

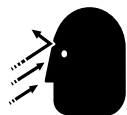
## ⚠ AVERTISSEMENT

### Risque du poids excessif

Utiliser deux personnes ou plus pour déplacer et installer les panneaux.

Le non-respect de cette instruction peut causer une blessure au dos ou d'autre blessure.

## ⚠ AVERTISSEMENT



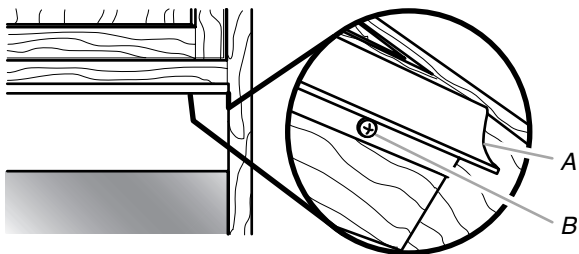
### Risque de bris de verre

Ne pas heurter les portes en verre du réfrigérateur.

Protéger la surface et les rebords de verre durant l'installation ou la dépose des portes.

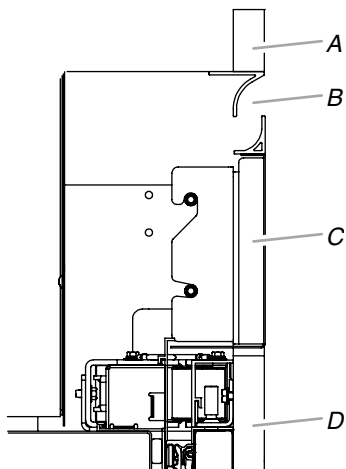
Le non-respect de cette instruction peut entraîner de graves blessures aux yeux ou de légères coupures.

1. Aligner l'évent de la grille supérieure (fourni dans l'ensemble de porte) sur le bord inférieur du soffite. L'utiliser comme gabarit et marquer le point de perçage des trous.
2. À l'aide des vis à tête hexagonale fendue (fournies avec le réfrigérateur), fixer l'évent de la grille supérieure au soffite.



A. Évent de la grille supérieure  
B. Vis à tête hexagonale fendue

### Vue latérale



A. Soffite  
B. Circulation d'air  
C. Panneau de la grille  
D. Panneau de porte

### Gabarits de perçage (panneaux en bois personnalisés uniquement)

**IMPORTANT :** Le gabarit est utilisable pour une installation avec un retrait de  $\frac{3}{8}$ " (0,95 cm) ou  $\frac{1}{8}$ " (0,32 cm).

- Les gabarits de perçage ne servent que pour les panneaux décoratifs en bois personnalisés.
  - Les gabarits de perçage sont à double côté.
  - Les trous de perçage sont préalablement percés dans le gabarit.
1. Sur le gabarit, rechercher le schéma correspondant au réfrigérateur. Ensuite, respecter les lettres et les flèches de couleur pour placer correctement le gabarit de perçage sur les panneaux.
  2. Pré-percer un avant-trou de  $\frac{1}{8}$ " (0,32 cm) de profondeur dans les rails en bois encadrant les portes et les panneaux de la grille supérieure.

### Gabarits de perçage (ensembles avec panneaux uniquement)

**IMPORTANT :** Les marquages sur les panneaux fournis avec les ensembles de panneaux correspondent uniquement aux emplacements des supports de montage.

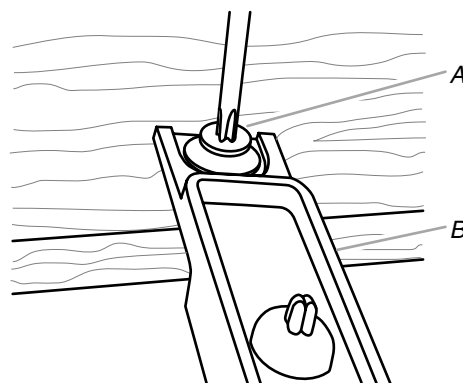
1. Pré-percer des avant-trous aux emplacements indiqués. Voir "Achever l'installation" plus loin dans cette section pour des instructions sur le perçage de trous supplémentaires dans les panneaux de porte.
2. Enlever le film protecteur sur le panneau de porte autour des supports et des goujons de poignée. Ne pas retirer entièrement le film protecteur tant que l'installation n'est pas complète.

### Préparation des panneaux (ensembles de panneaux en bois et personnalisés)

**IMPORTANT :** Le processus d'installation des panneaux en bois personnalisés sur le réfrigérateur est le même pour les ensembles de panneaux standard et pour les ensembles de panneaux personnalisés.

### Panneaux de porte

1. Placer le(s) panneau(x) sur une surface ferme et plate avec l'avant orienté vers le bas.
2. Localiser les deux trous pré-perçés de la rive latérale de la poignée du panneau de porte.
3. En utilisant la cale d'installation comme guide de profondeur, visser les goujons de porte (fournis avec le réfrigérateur) dans le panneau de porte pré-percé (deux goujons par porte).



A. Goujon du panneau de la porte  
B. Cale d'installation

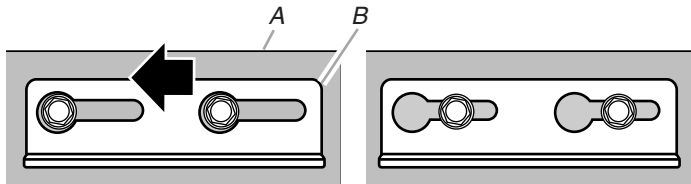
4. Pour le support de montage: insérer les vis à tête hexagonale et bout pointu (fournies) dans le bois, au sommet des panneaux de porte, à l'endroit où les trous ont été pré-perçés.

**REMARQUES :**

- Pour fixer le support au sommet du panneau de porte, il est essentiel d'utiliser la vis de 5/8", c'est-à-dire la plus longue des vis fournies. Ces vis à tête hexagonale et bout pointu doivent être utilisées uniquement pour fixer ce support de montage.
- Ensembles de panneaux – Repérer les trous en fixant les deux vis à tête hexagonale et bout pointu en repérant l'emplacement des encoches du panneau de porte et non les trous en forme de U.

5. Fixer un support de montage au bord supérieur de chaque panneau de porte en plaçant l'extrémité large de la fente par-dessus les vis et en faisant glisser le support de sorte que les vis soient bien centrées dans les fentes.

**REMARQUE :** Commencer par les vis situées au centre des encoches tel qu'illustré, puis déplacer le panneau de porte selon le besoin pour l'alignement.



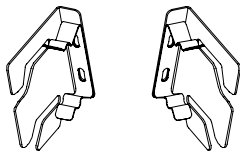
A. Panneau de porte B. Support de montage

**Panneau de la grille supérieure**

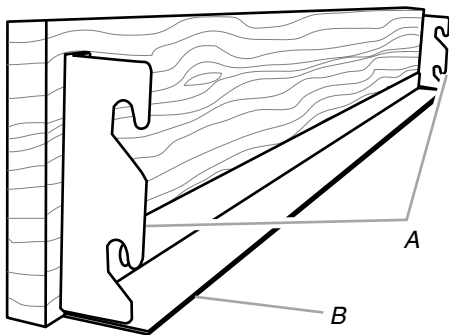
1. À l'aide des vis à tête hexagonale fendue fournies, fixer un support de montage de chaque côté du panneau de la grille.

**IMPORTANT :** Voir l'insert Pièces fournies pour choisir les supports à utiliser pour l'installation.

- Utiliser les supports de grille intégrée pour une installation intégrée avec une grille de pleine hauteur.



- Utiliser les supports pour grille standard pour une installation standard avec un soffite fermé ou ouvert.



A. Supports de grille supérieure  
B. Garniture de grille

2. À l'aide des vis à tête ronde (fournies), fixer la garniture de la grille au bas du panneau de la grille.

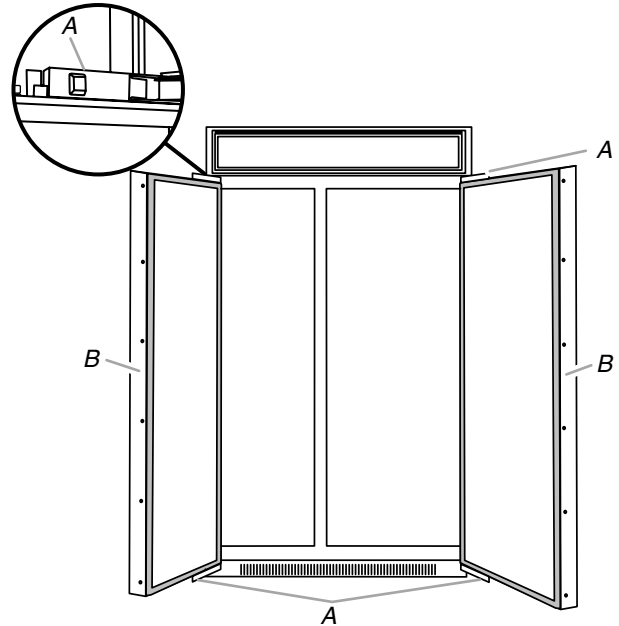
**NOTE:** La garniture de grille est préinstallée sur les ensembles de panneaux.

**Dépose des garnitures**

1. Débarrasser les portes du réfrigérateur et du congélateur de leurs matériaux et ruban adhésif de maintien.
2. Ouvrir les portes du réfrigérateur et du congélateur.
3. Retirer les couvre-charnières du sommet et du bas de la porte pour dégager les trous des charnières.

**REMARQUE :** Il n'est pas nécessaire de retirer les garnitures latérales des charnières car elles ne feront pas obstacle à la réalisation de l'installation.

4. Retirer les garnitures de porte du côté poignée. Voir l'illustration ci-dessous.

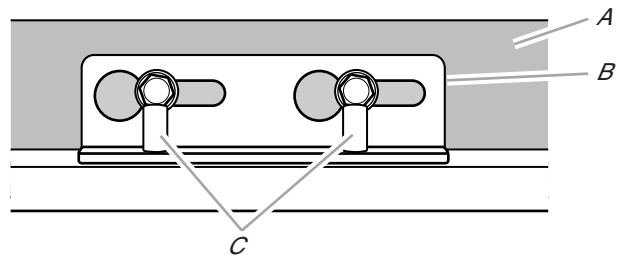


A. Couvre-charnières  
B. Garniture de porte du côté poignée

**Installation des panneaux de porte**

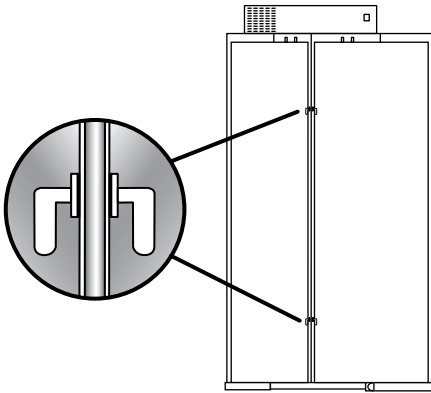
**REMARQUE :** Ouvrir d'abord la porte située du côté opposé à celle sur laquelle vous installez le panneau de porte.

1. Abaisser le support de montage du panneau pour le placer sur les tiges de réglage, au sommet de la porte.

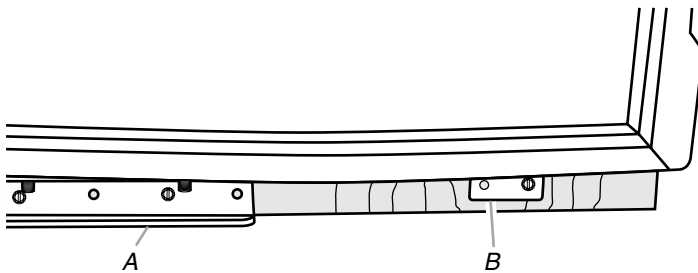


A. Panneau de porte  
B. Support de montage  
C. Tiges de réglage

- Localiser les goujons à l'arrière du panneau de porte. Faire glisser les goujons, tout d'abord le goujon supérieur puis le goujon inférieur dans les poches en "J" qui se trouvent à l'avant de la porte.
- REMARQUE:** C'est la rondelle dans le goujon et non la tête du goujon qui est insérée dans la poche en "J".
- Faire glisser le panneau de porte dans la poche en "J" en face de la porte.

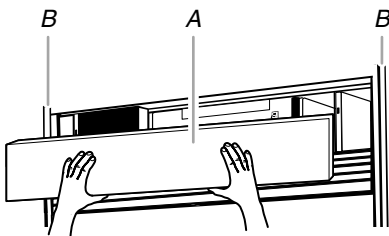


- Répéter les étapes 1 à 3 pour installer le deuxième panneau de porte.
- À l'aide des vis à tête hexagonale fendue (fournies avec le réfrigérateur), fixer le support de montage (installé en usine) situé au bas des portes du réfrigérateur et du congélateur aux panneaux de porte respectifs. Ne pas serrer complètement la vis.



A. Charnière inférieure  
B. Support de montage

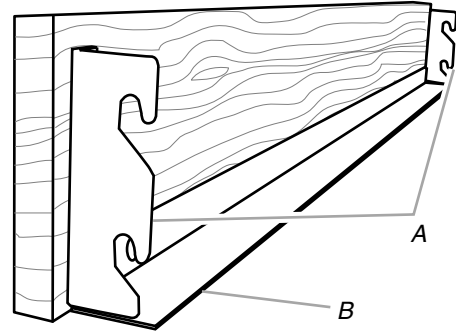
### Installation du panneau de la grille supérieure



A. Panneau de la grille supérieure  
B. Côtés des placards

### Installation standard - Grille affleurante

- Accrocher les supports de panneau sur les boulons de montage qui dépassent du sommet du réfrigérateur.

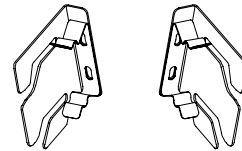


A. Supports de panneaux  
B. Garniture de grille

- Tirer légèrement le panneau de grille vers le bas pour le bloquer en place.

### Installation intégrée - Grille de pleine hauteur

- Aligner la bride de chaque côté du panneau de la grille supérieure avec les boulons de montage.

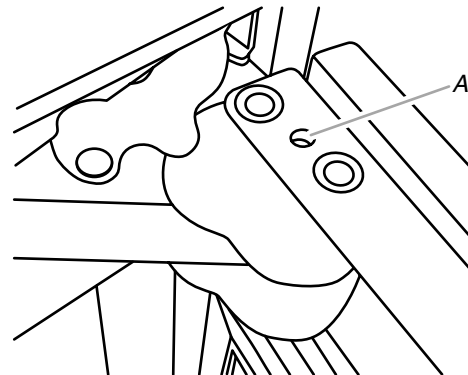


- Pousser le panneau de la grille vers l'avant jusqu'à ce que le support s'emboîte.

### Réglage de l'ouverture de la porte

Il sera peut-être nécessaire de régler l'ouverture de la porte. S'assurer que la/les porte(s) peut/peuvent s'ouvrir librement. Si la largeur d'ouverture de la/des porte(s) est trop grande, installer la goupille de butée de porte (fournie avec le réfrigérateur).

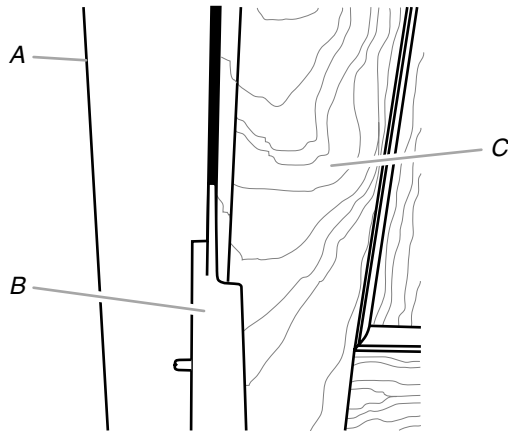
- Maintenir la porte ouverte à une position inférieure à 90°.
- Insérer la goupille de butée de porte dans la charnière supérieure, au trou indiqué.
- À l'aide d'une clé à tête hexagonale de  $\frac{5}{32}$ ", serrer la goupille de butée de la porte.



A. Trou pour goupille de butée

## Achever l'installation

- Utiliser la cale d'installation pour mesurer l'espace entre les panneaux et les placards adjacents.
  - Les panneaux en bois décoratifs personnalisés peuvent être réalisés avec un espace de  $\frac{3}{8}$ " (0,95 cm) ou  $\frac{1}{8}$ " (0,32 cm) entre le panneau et les placards, et un espace de  $\frac{1}{8}$ " (0,32 cm) entre la/les porte(s) du congélateur et celle(s) du réfrigérateur, et entre la/les porte(s) et la grille supérieure.
  - Tous les ensembles de panneaux achetés nécessitent un dégagement de  $\frac{3}{8}$ " (0,95 cm) entre le panneau et les placards et un dégagement de  $\frac{1}{8}$ " (0,32 cm) entre la/les porte(s) du congélateur et celle(s) du réfrigérateur, et entre la/les porte(s) et la grille supérieure.

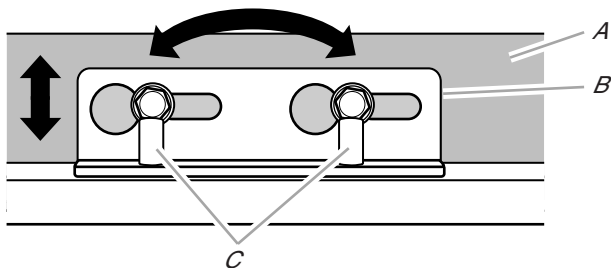


A. Placard adjacent  
B. Cale d'installation  
C. Panneau sur porte

- Ajuster le panneau pour obtenir l'espacement nécessaire ou pour l'alignement.
 

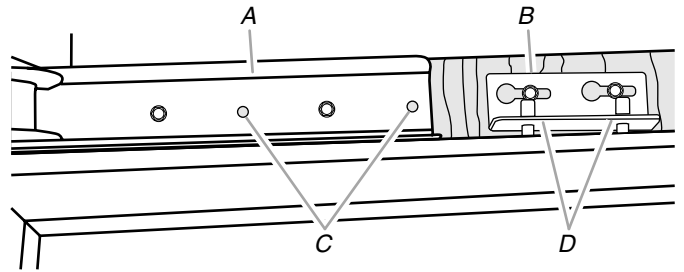
**IMPORTANT :** Si des ajustements sont nécessaires, ajuster le panneau et non la porte. Ajuster le panneau de gauche à droite dans le support de montage avant d'utiliser les tiges pour ajuster le panneau de haut en bas ou en diagonale.

  - Faire glisser le panneau d'un côté à l'autre dans la fente en forme de trou de serrure.
  - Utiliser une clé à tête hexagonale pour élever ou abaisser les tiges de réglage afin de permettre au panneau de porte de pivoter.



A. Panneau de porte  
B. Bride de montage  
C. Tiges de réglage

- Percer un avant-trou d'une profondeur de  $\frac{1}{8}$ " dans le panneau de porte, dans les trous des charnières supérieures et inférieures.
- À l'aide des vis à tête hexagonale fendue (fournies avec le réfrigérateur), fixer les charnières supérieures et inférieures aux panneaux de porte. Bien serrer toutes les vis du panneau de porte.



A. Charnière supérieure  
B. Brides de montage  
C. Trous pour les vis  
D. Tiges de réglage

- À l'aide des vis à tête hexagonale fendue (fournies avec le réfrigérateur), fixer les panneaux de porte aux garnitures de la porte du côté charnière.
- À l'aide de vis à tête plate Phillips (fournies avec le réfrigérateur), installer la garniture de porte du côté poignée.
- Serrer complètement les vis fixant les brides de montage situées au bas des portes, aux panneaux.
- Réinstaller la garniture supérieure de porte et le couvre-charnière.
- Emboîter le cache de la tige de réglage (fourni avec le réfrigérateur).

## Installation des poignées (Modèles avec ensemble de panneaux uniquement)

**IMPORTANT :** Installer les poignées après que les panneaux de porte aient été installés. Suivre les instructions relatives au panneau de porte utilisé.

**Outils nécessaires :** Clé à tête hexagonale de  $\frac{3}{32}$ "

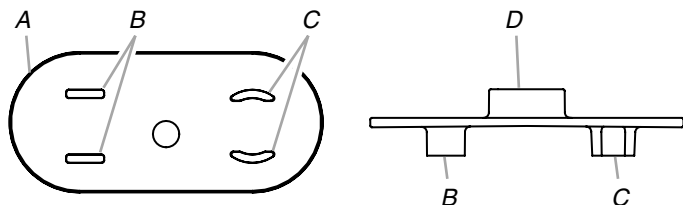
### Panneaux de porte – Conceptions en bois, personnalisées, en acier inoxydable et en bronze huilé

- Localiser les trous situés à l'emplacement de l'installation des goujons de montage de la poignée, dans les panneaux de porte.
- Fixer les goujons de montage de la poignée aux panneaux de porte.
- Installer les poignées sur les goujons de montage de la poignée et serrer les vis de serrage.

## Panneaux de porte – Conception de verre flottant

**IMPORTANT :** Pour aligner correctement la poignée sur la porte, la position de la cale de poignée en plastique et des vis de serrage sur la poignée de porte doit correspondre à la position indiquée par le tableau.

1. Localiser les trous situés à l'emplacement de l'installation des goujons de montage de la poignée, dans les panneaux de porte.
2. Insérer le montant circulaire à l'arrière des cales de la poignée dans les trous des panneaux de porte.



A. Cale de la poignée en plastique  
B. Montants de montage pour poignée droite  
C. Montants de montage pour poignée incurvée  
D. Montant circulaire

3. Selon votre modèle et le compartiment, faire pivoter la cale en plastique de façon à ce que les montants de montage de la poignée incurvée se trouvent au-dessus ou au-dessous. Voir le tableau suivant.

	Congélateur ouverture de porte par la gauche	Réfrigérateur ouverture de porte par la droite
Montant de montage incurvé	Partie inférieure	Partie supérieure
Vis de serrage	Droite	Gauche

4. Faire glisser la vis dans le goujon de montage de la poignée. Insérer l'ensemble de vis dans le trou central de la cale en plastique et le fixer au panneau de porte.
5. Fixer les poignées aux goujons de montage de la poignée de façon à ce que les vis de serrage se trouvent du côté désigné puis serrer les vis de serrage.

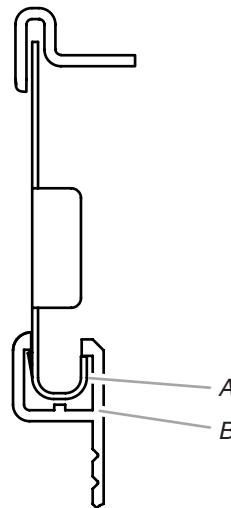
## Installation de la grille de la base

La grille de la base comporte deux pièces pour permettre un ajustement personnalisé : la grille de la base elle-même et la plinthe. La plinthe peut être ajoutée à la grille de la base pour la prolonger jusqu'au plancher.

1. Pour voir si la plinthe est nécessaire, placer la grille de la base en position. Ne pas fixer la grille de la base au réfrigérateur. Mesurer la distance entre le fond de la grille de la base et le plancher. L'espace doit mesurer au moins  $\frac{1}{2}$ " (1,27 cm) pour que l'on puisse ajouter la plinthe.

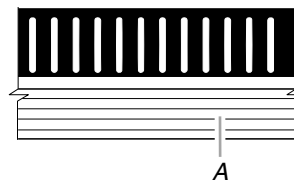
**REMARQUE :** Si l'espace mesure moins de  $\frac{1}{2}$ " (1,27 cm), omettre les étapes 3 et 4 des instructions et installer uniquement la grille de la base.

2. Enlever la pellicule de protection de la grille de la base.
3. Emboîter la plinthe sur la grille de la base.



A. Grille de la base  
B. Plinthe

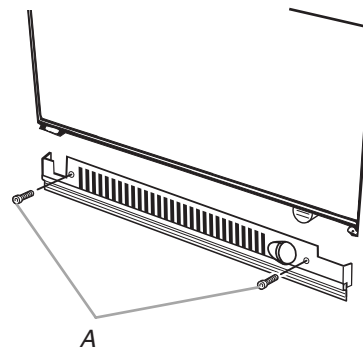
4. Entailler la plinthe en marquant la rainure en V appropriée avec un couteau utilitaire. Briser la plinthe au niveau de la ligne d'entaille.



A. Rainure en V

5. À l'aide des deux vis, fixer la grille de la base au réfrigérateur, tel qu'illustré.

**REMARQUE :** Insérer d'abord la vis du côté droit.



A. Vis (2)

---

## Achever l'installation

1. Tourner le robinet de la canalisation d'alimentation en eau à la position "Open" (ouvert).
2. Tourner l'interrupteur du réfrigérateur à la position ON (marche). Voir la section "Interrupteur d'alimentation On/Off (marche/arrêt)" dans le Guide d'utilisation et d'entretien pour les instructions. Attendre quelques minutes. Vérifier les raccords de la canalisation d'eau pour voir s'il y a des fuites.
3. Retirer toutes les boîtes, tous les sachets de pièces et tous les matériaux d'emballage de l'intérieur du réfrigérateur. Voir la section "Nettoyage" dans le Guide d'utilisation et d'entretien pour les instructions. Ôter la pellicule protectrice et le carton de la grille et des portes ou du châssis de la porte, selon le modèle.
4. Installer les tablettes et bacs dans les compartiments de réfrigération et de congélation.
5. Les commandes sont pré réglées à l'usine au réglage moyen. S'assurer que le compresseur fonctionne bien et que toutes les lampes s'allument.
6. Purger le système d'eau avant l'utilisation. Voir "Préparation du système d'eau."

Pour l'utilisation la plus efficace de votre nouveau réfrigérateur encastré, lire le Guide d'utilisation et d'entretien. Conserver les instructions d'installation et le Guide d'utilisation et d'entretien près du réfrigérateur encastré pour s'y référer facilement.

**W10379136A**

© 2011.  
All rights reserved.  
Todos los derechos reservados.  
Tous droits réservés.

® Registered Trademark/™ Trademark of Jenn-Air, U.S.A. Used under license by Maytag Limited in Canada.  
® Marca registrada/™ Marca de comercio de Jenn-Air, U.S.A. Usada bajo licencia por Maytag Limited en Canadá.  
® Marque déposée/™ Marque de commerce de Jenn-Air, U.S.A. Emploi sous licence par Maytag Limited au Canada.

3/11  
Printed in U.S.A.  
Impreso en EE.UU.  
Imprimé aux É.-U.